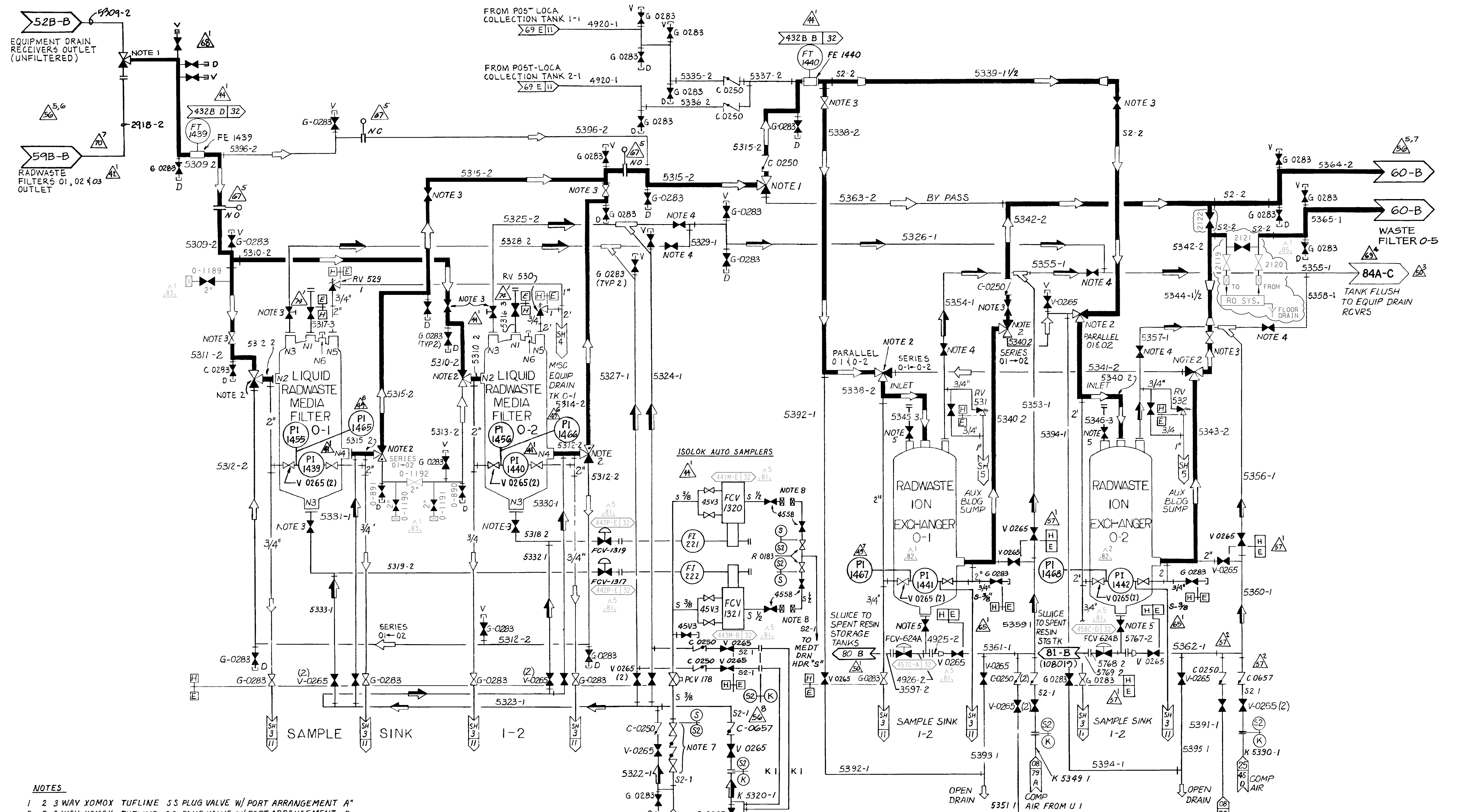


A
B
C
D
E



- NOTES**
- 1 2 3 WAY XOMOX TUFLINE SS PLUG VALVE W/ PORT ARRANGEMENT A"
 - 2 2 3 WAY XOMOX TUFLINE SS PLUG VALVE W/ PORT ARRANGEMENT D
 - 3 2 2 WAY XOMOX "TUFLINE" SS PLUG VALVE
 - 4 1 2 WAY XOMOX "TUFLINE" SS PLUG VALVE
 - 5 3" HILLS McCANNA FLANGED BALL VALVE (DC-663263-145)
 - 6 ALL PIPING S2 SPEC AND PG&E CODE CLASS [H], UNLESS OTHERWISE NOTED
 - 7 1" FEBCO REDUCED PRESSURE BACKFLOW PREVENTION DEVICE MODEL 825Y WITH THREADED ENDS (DC 698106 25)
 - 8 CONNECTION FOR PORTABLE SAMPLE BOTTLE IN SHIELDED CASK (DC 698106 19&21) (SEE 89 C FOR TYPICAL CONNECTION)

LIQUID RADWASTE MEDIA FILTERS AND RADWASTE ION EXCHANGERS

UNIT I

DIABLO CANYON POWER PLANT - PG&E CO.
LIQUID RADWASTE SYSTEM

DRAWING	SHEET	PAGE	REV
102019	6B	0	85

07-10-2013	MNRU	Fxc2	KJD3	NOT REQUIRED	N/A	N/A	N/A	REVISED PER DDN-2*1033
DATE	DWN	RE	IV	PROFESSIONAL ENGINEER	PE DISC.	PE#	PE EXP.	

RASTER=102019.s6B.dgn
 DGN=102019.s6B.dgn
 CAD User: MNRU Date: 07-10-2013