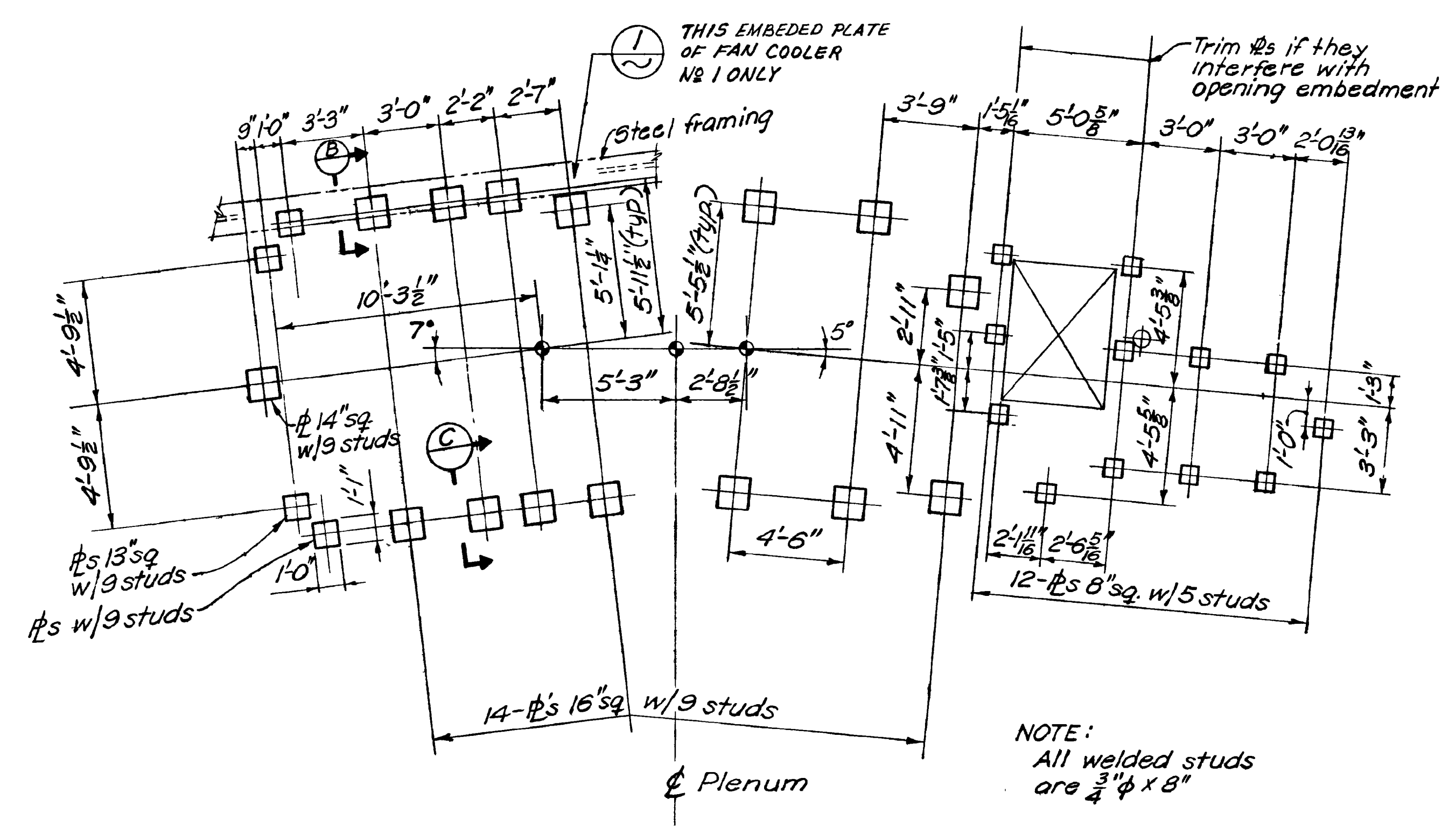
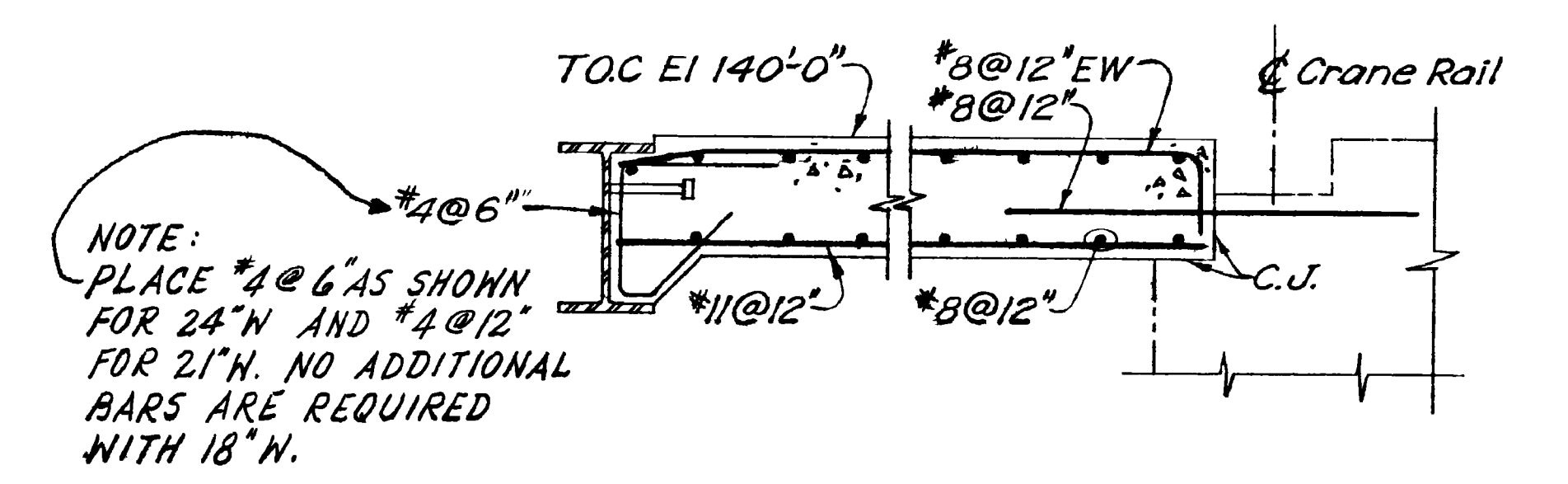


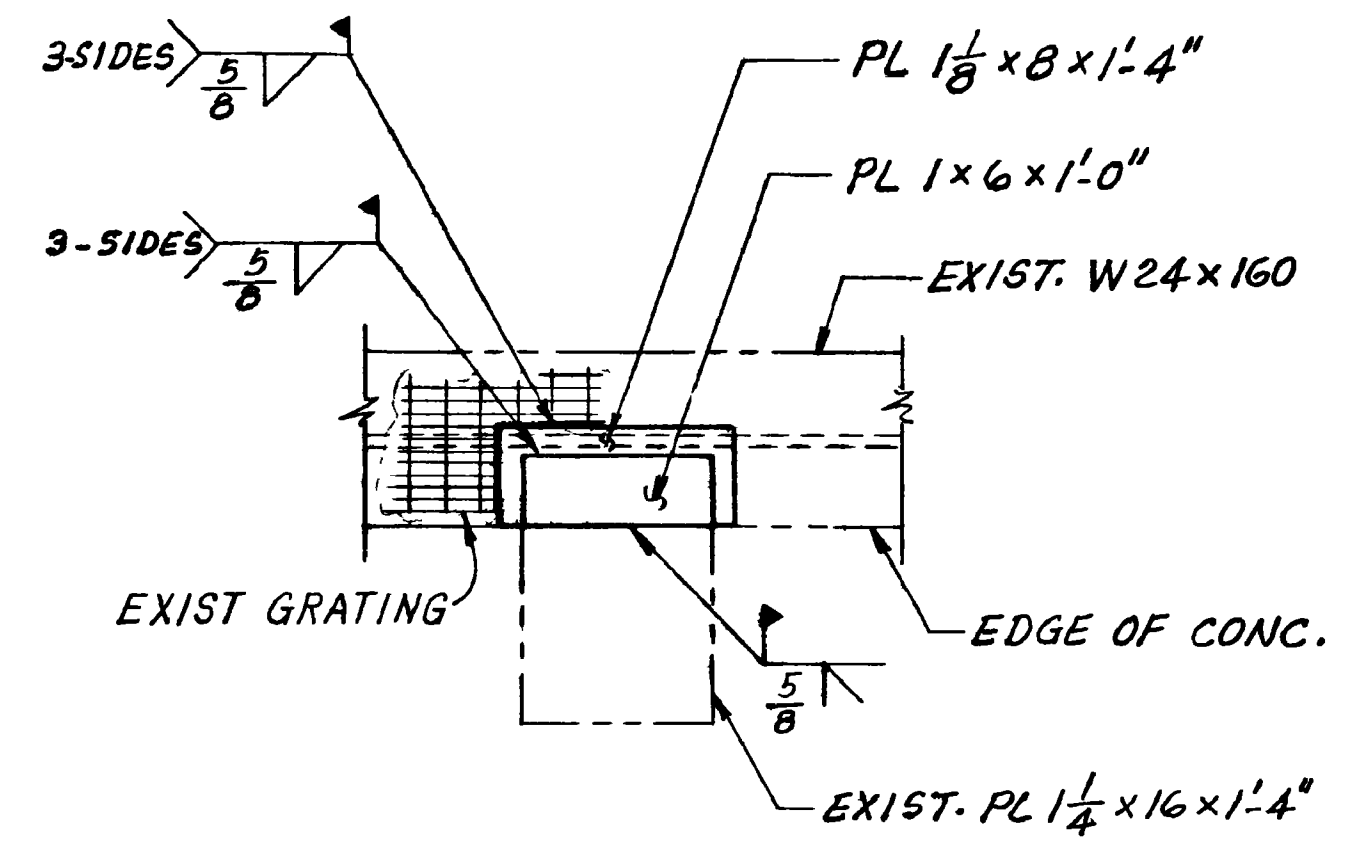
PLAN @ EL. 140'-0"
 $\frac{1}{8}'' = 1'-0''$



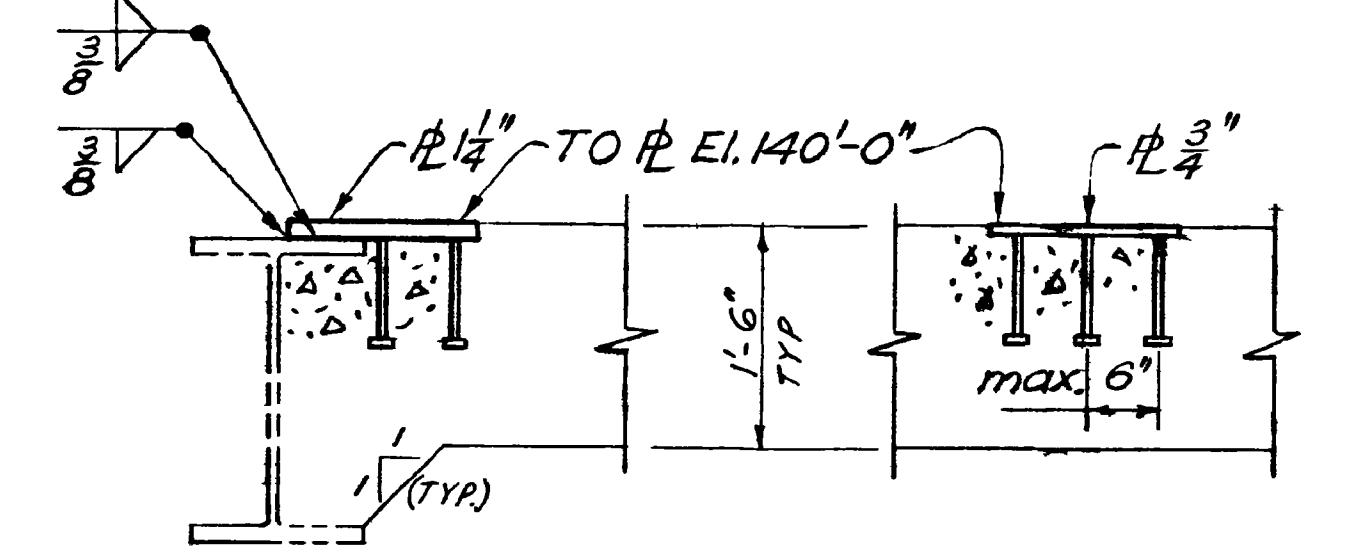
**TYP. FAN COOLER MOUNTING
 PLATE ARRANGEMENT**
 $\frac{1}{4}'' = 1'-0''$



SECTION A Typ.
 $\frac{1}{2}'' = 1'-0''$



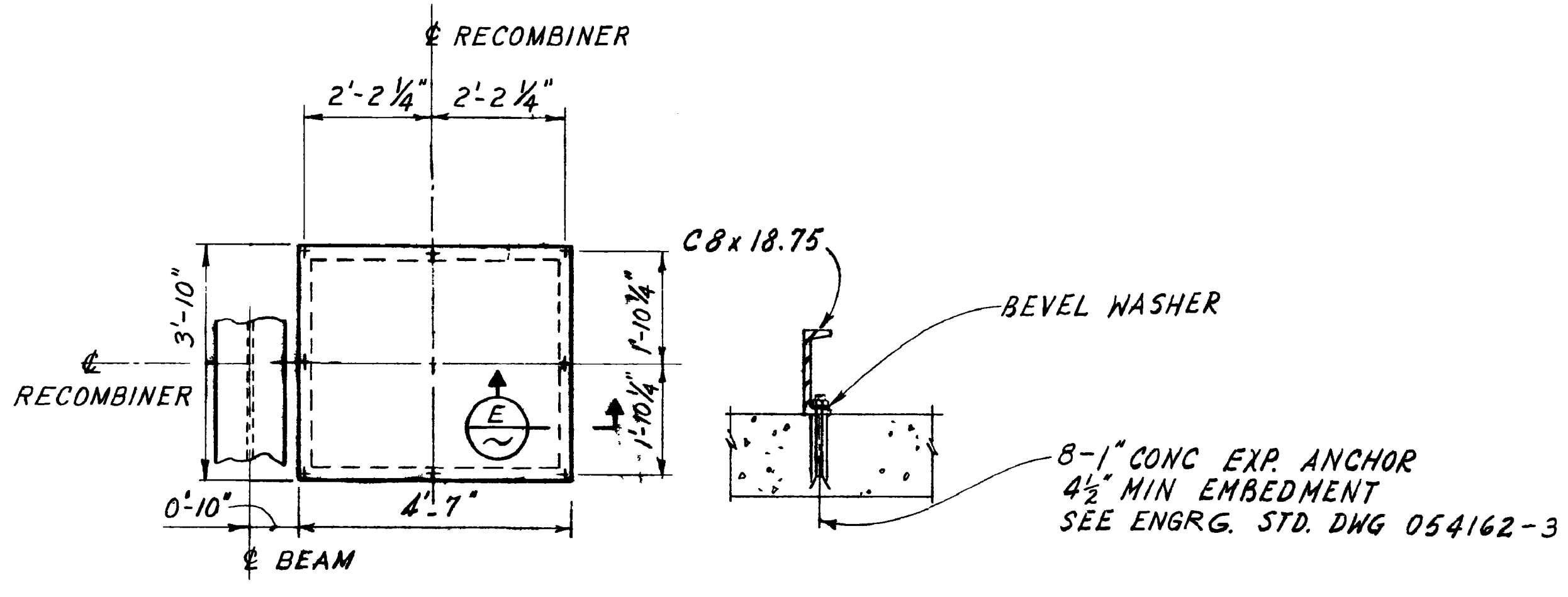
DETAIL 1
 $\frac{3}{4}'' = 1'-0''$



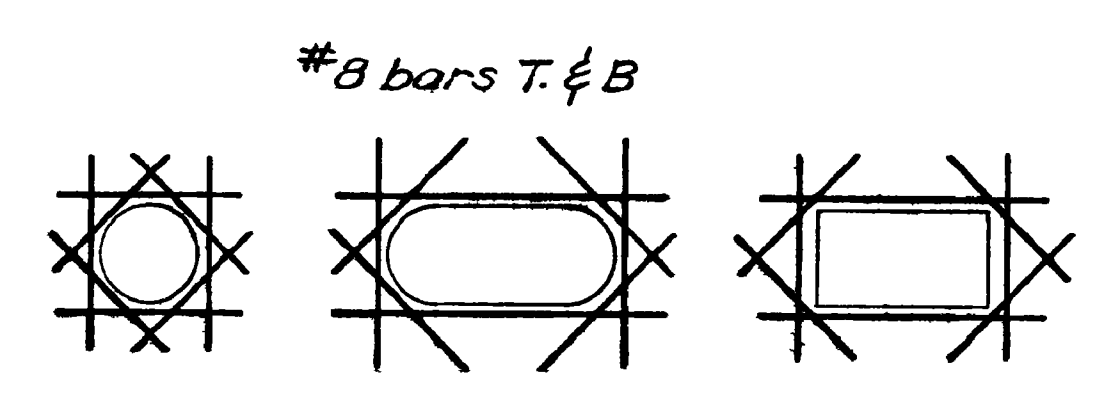
SECTION B
 $\frac{3}{4}'' = 1'-0''$

SECTION C
 $\frac{3}{4}'' = 1'-0''$

IT IS ACCEPTABLE TO STORE (2) EACH S.S. BOXES IN THIS LOCATION DURING MODES 1-4. NO TIE-DOWNS ARE REQUIRED. FLOOR LOADING PER DRAWING 496742 SHALL NOT BE EXCEEDED FOR THE AREA.

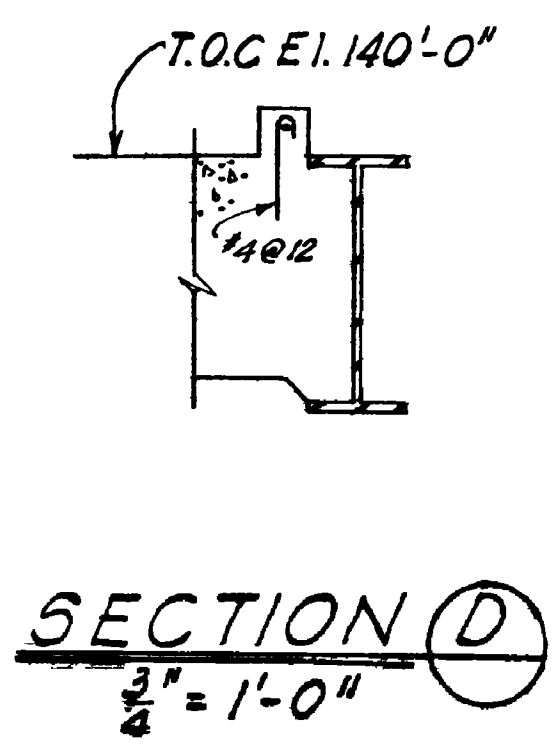


DETAIL 2
 $\frac{1}{2}'' = 1'-0''$
SECTION E
 $1'' = 1'-0''$
HYDROGEN RECOMBINER



TYP SLAB PENETRATIONS
 (Except those shown on plan & noted otherwise)

- REFERENCES:**
- SUPPLIERS DRAWINGS: 663235, 683858, 663243, 663079-46
 - ELEC HYD. RECOMBINER: 695035-8-1
 - OPENINGS, SLEEVES & SURFACE INSERTS: 501084 & 501085
 - ANNULUS PLATF FRAMING @ EL 140'-0": 438282



SECTION D
 $\frac{3}{8}'' = 1'-0''$

DATE 10/23/02		DESCRIPTION	COORDINATION	UNIT 1	DWG SCALE
DWN.	CEFG	Revised per DCI-SC-049591-00	NUCL.	CIVIL	BILL OF MATL
R.E.	FAC2		MECH.	CONCRETE OUTLINE & REINFORCING	SURPSD
INDEP.	RMO2		ELEC.	ANNULUS PLATFORM @ EL. 140'	SURPSD BY
VERIFIER			CIVIL	CONTAINMENT STRUCTURE AREA F & G	SHEET NO. 1 OF
P.E.	RMO2		PIPING	PACIFIC GAS AND ELECTRIC COMPANY	447254
			T&C	SAN FRANCISCO, CALIFORNIA	REV 5

