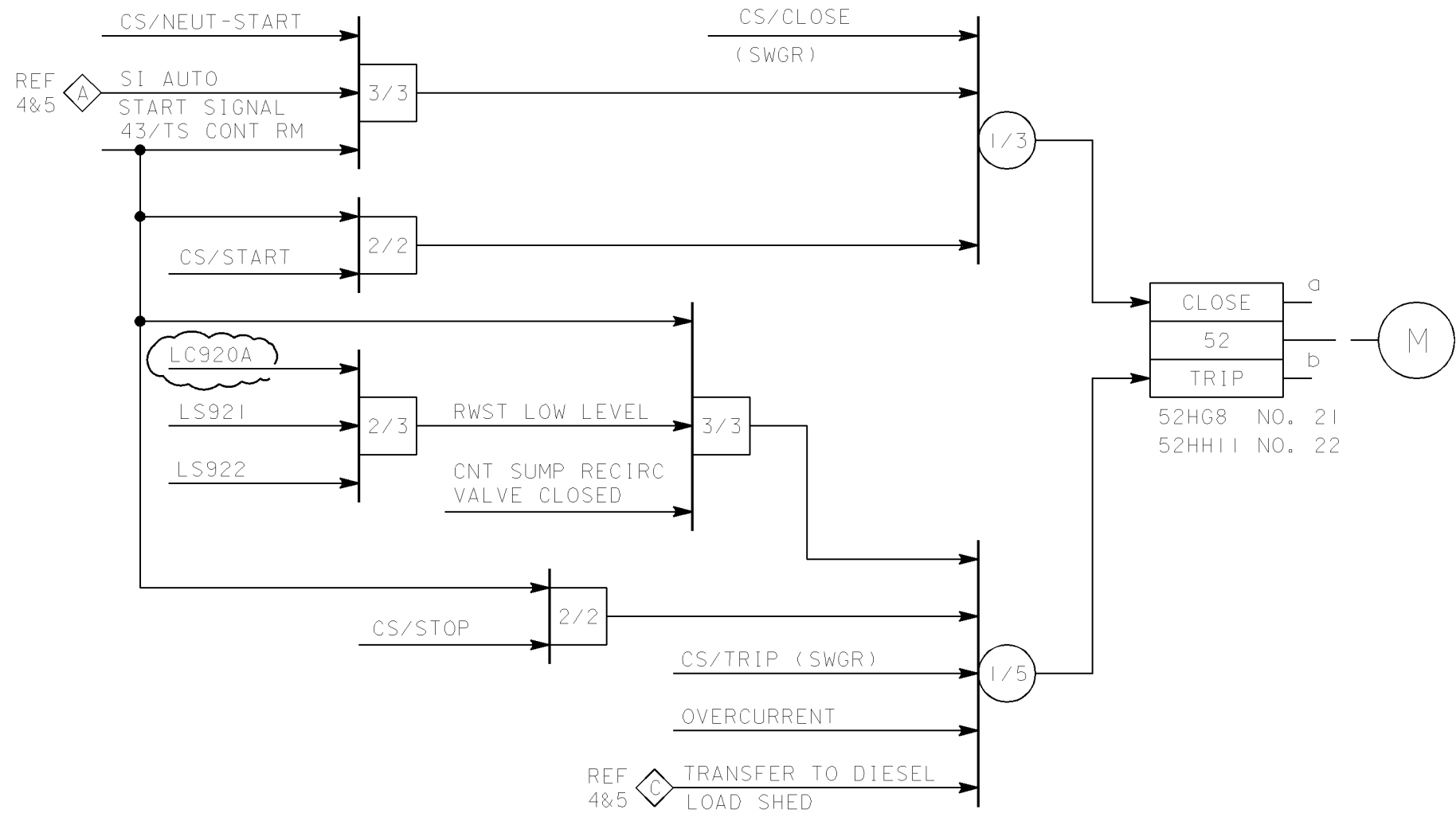


CAD User: JDP7 Date: 3-03-1998  
 DGN=102793D.E62

E  
 D  
 C  
 B  
 A

1 2 3 4 5 6 7 8 9 10



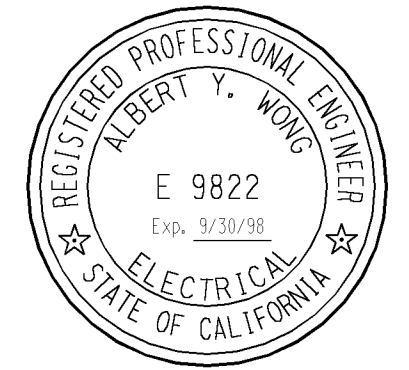
NOTE

1. 43/TS-TRANSFERS CONTROL FROM LOCAL TO CONTROL ROOM (SW LOC AT SWGR)

REFERENCES:

- 1. SCH DIAG RES HEAT REM \_\_\_\_\_ 441309
- 2. LOG DIAG SYMBOLS \_\_\_\_\_ 19425
- 3. S.L. M&R DIAG 4KV G&H \_\_\_\_\_ 441230
- 4. LOGIC DIAGRAM 4KV BUS "G" AUTO TRANSFER \_\_\_\_\_ 441297
- 5. LOGIC DIAGRAM 4KV BUS "H" AUTO TRANSFER \_\_\_\_\_ 441337

DWG NO.



KEY DWG--SECTION 3

NUCLEAR SAFETY RELATED

UNIT 2

DATE	3/4/98	DESCRIPTION	COORDINATION
DWN.	JDP7	Revised per FCT 022816	NUCL. -
R. E.	KMSI		MECH. -
INDEP. VERIFIER	-		ELEC. -
P. E.	AYWI		CIVIL -
			PIPING -
			I&C -
REVISION INFORMATION			

LOGIC DIAGRAM  
 RESIDUAL HEAT REMOVAL PUMPS

DIABLO CANYON POWER PLANT  
 PACIFIC GAS AND ELECTRIC COMPANY  
 SAN FRANCISCO, CALIFORNIA

DWG SCALE	
BILL OF MATL	
SUPSDS	
SUPSD BY	
SHEET NO.   OF	
<b>102793</b>	REV <b>5</b>

INPG