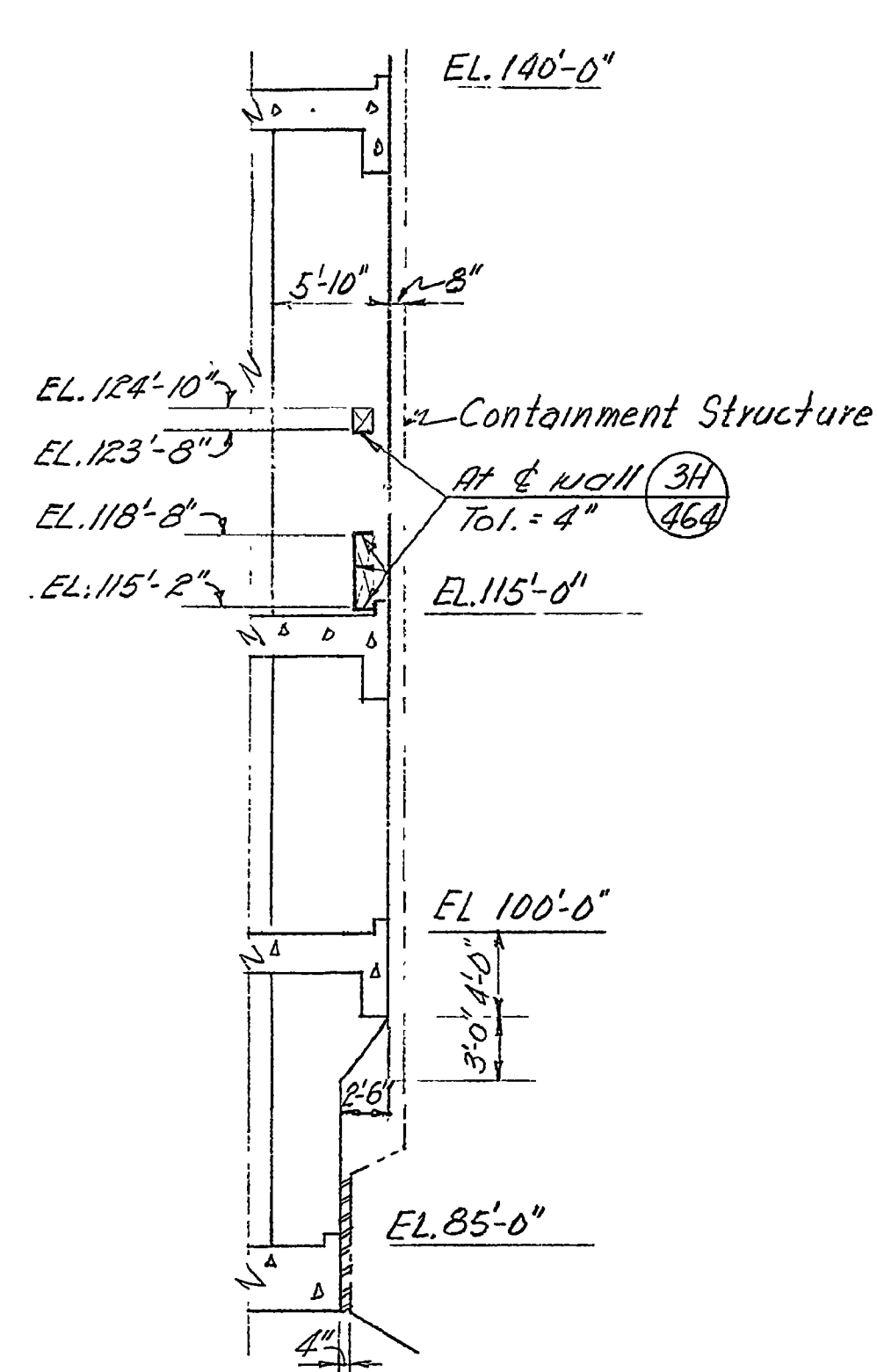
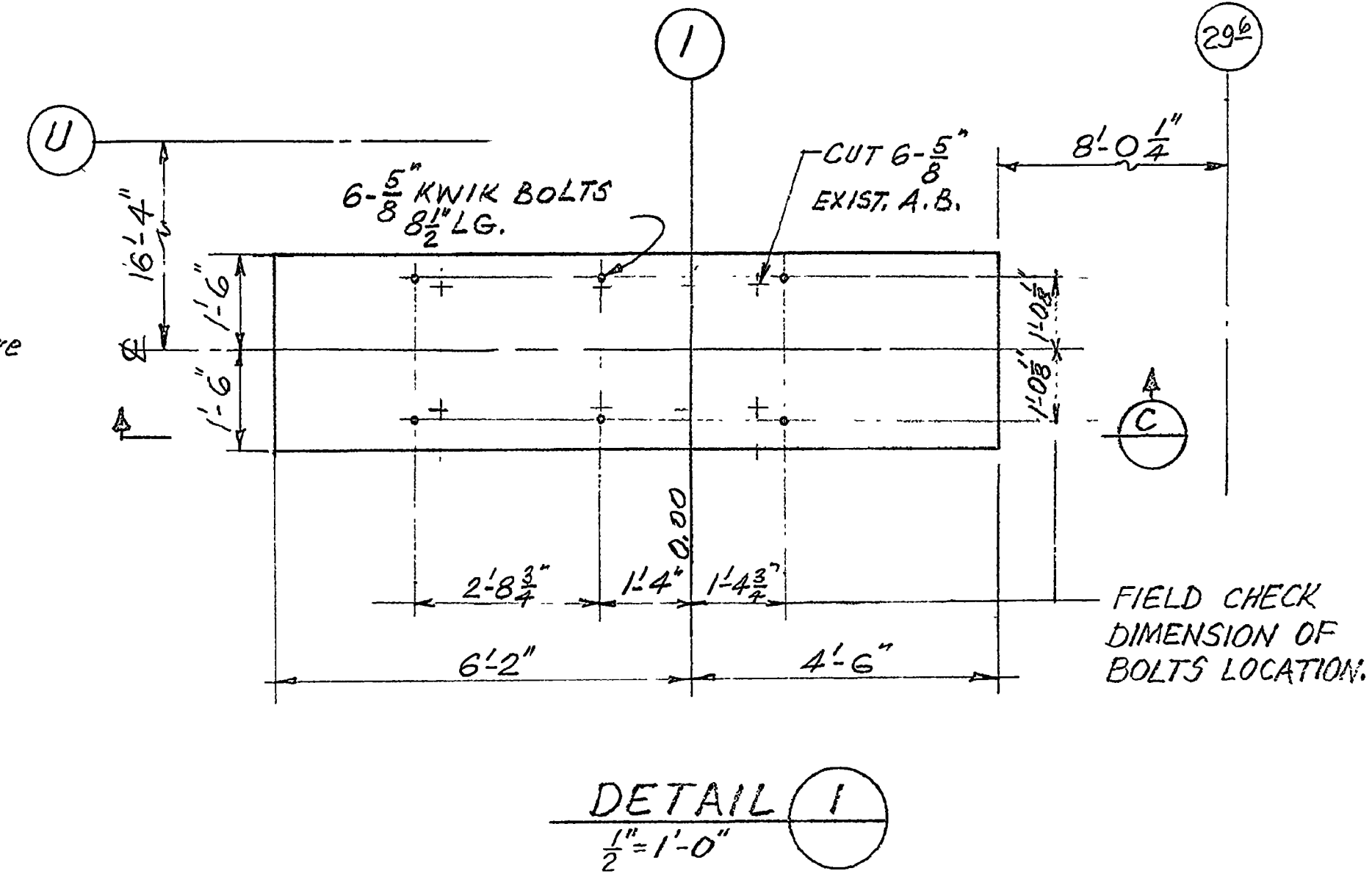


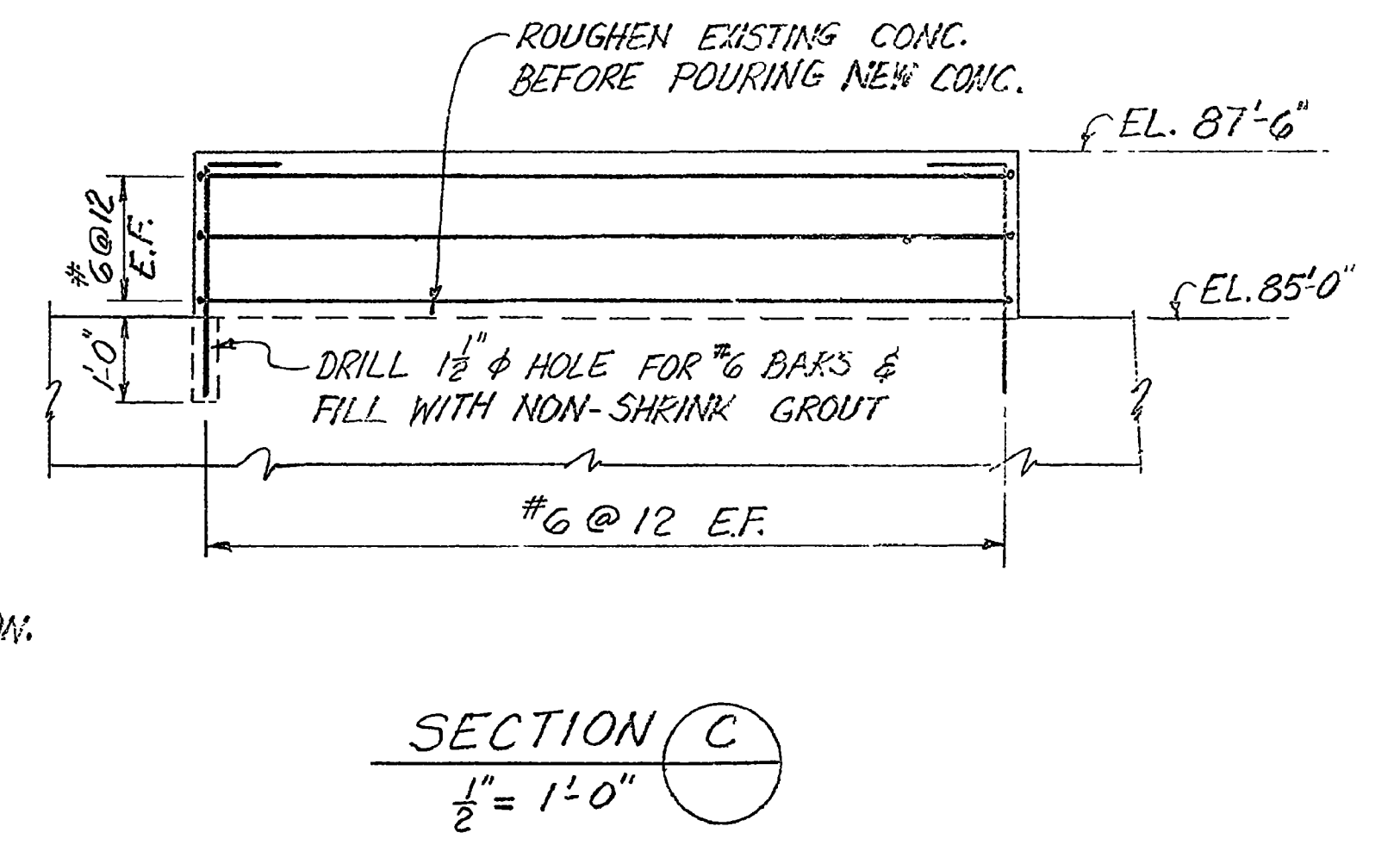
SECTION B
Scale: 1/4" = 1'-0"



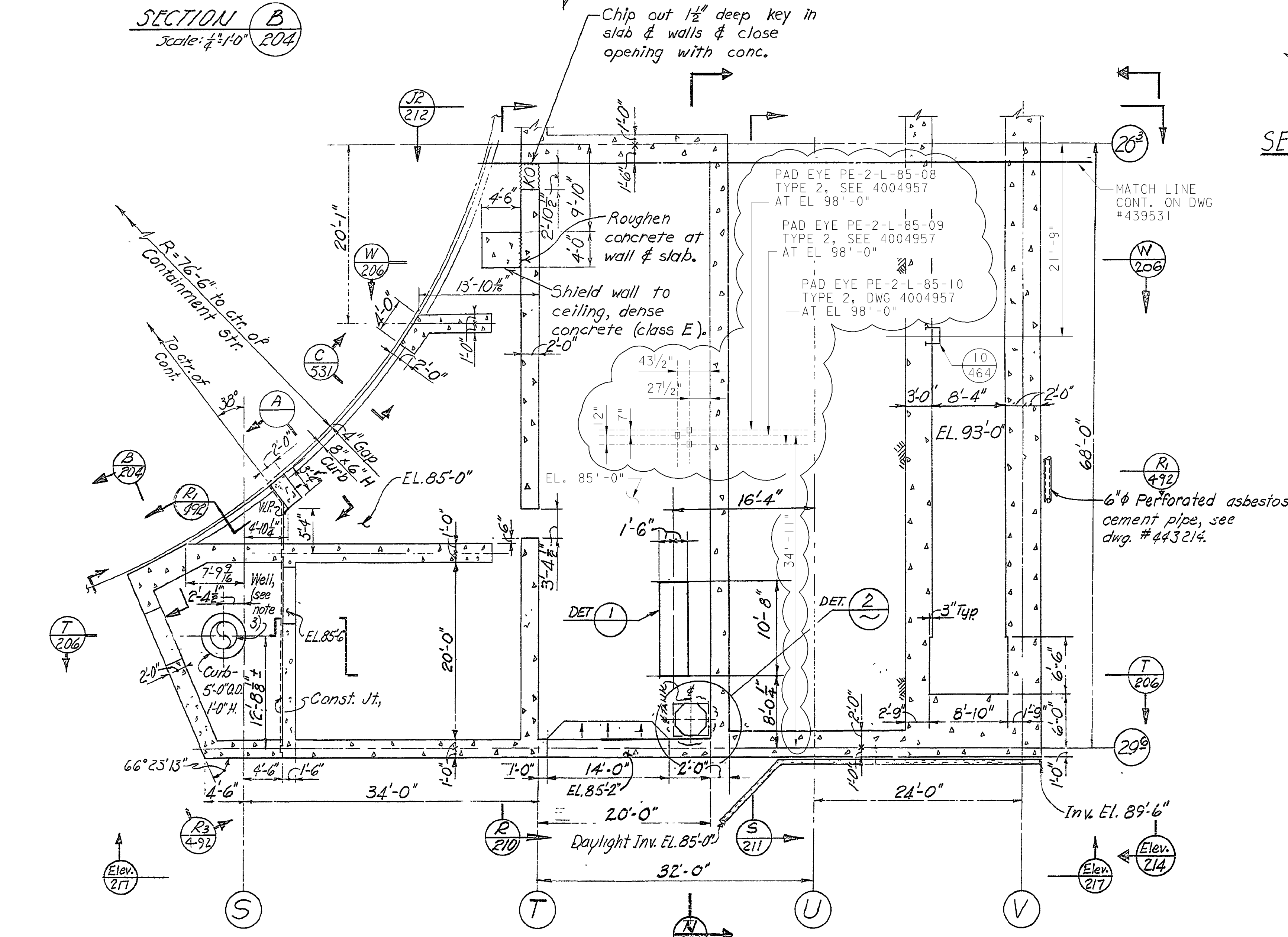
SECTION A
Scale: 1/2" = 1'-0"



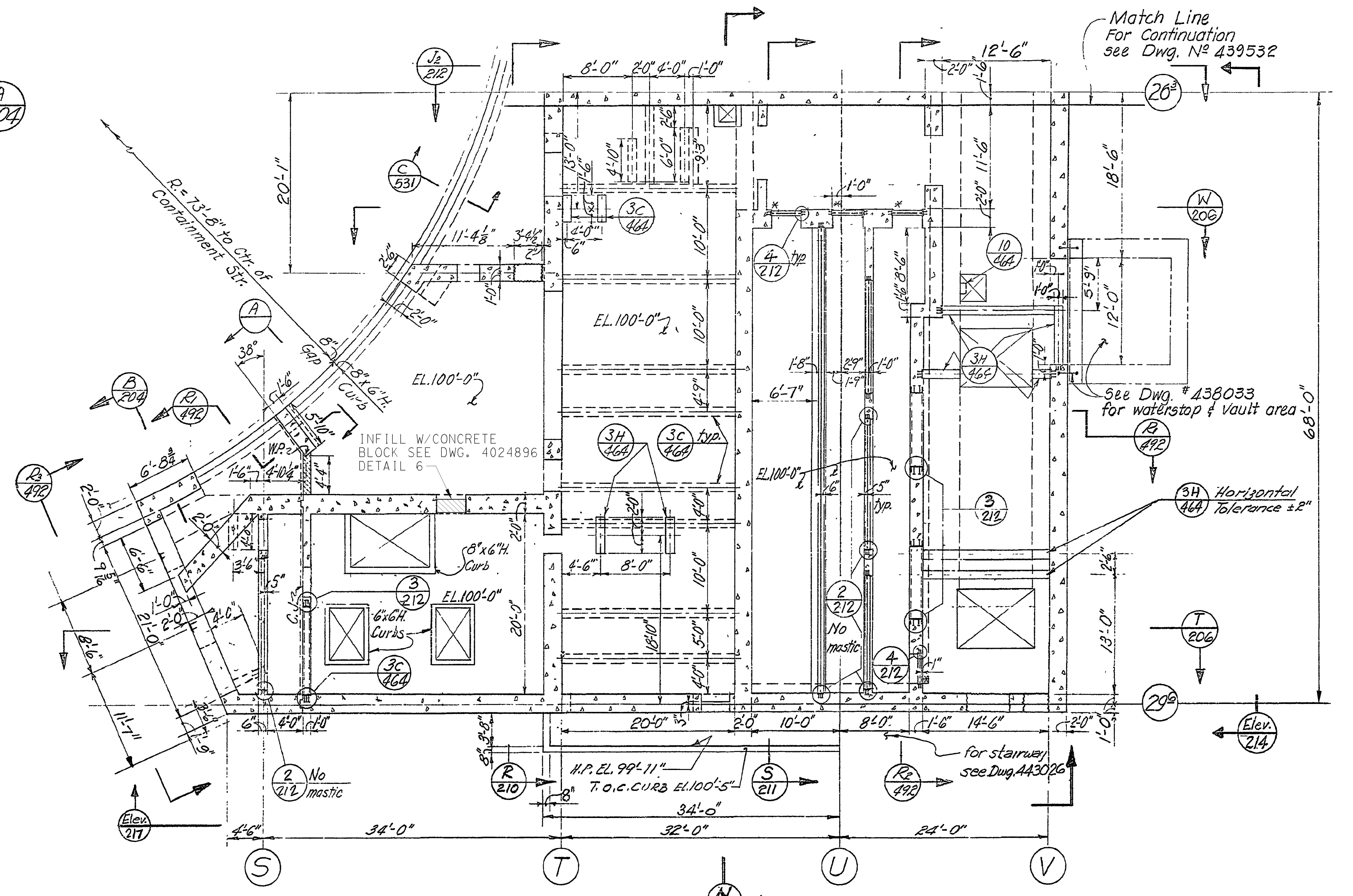
DETAIL I
1/2" = 1'-0"



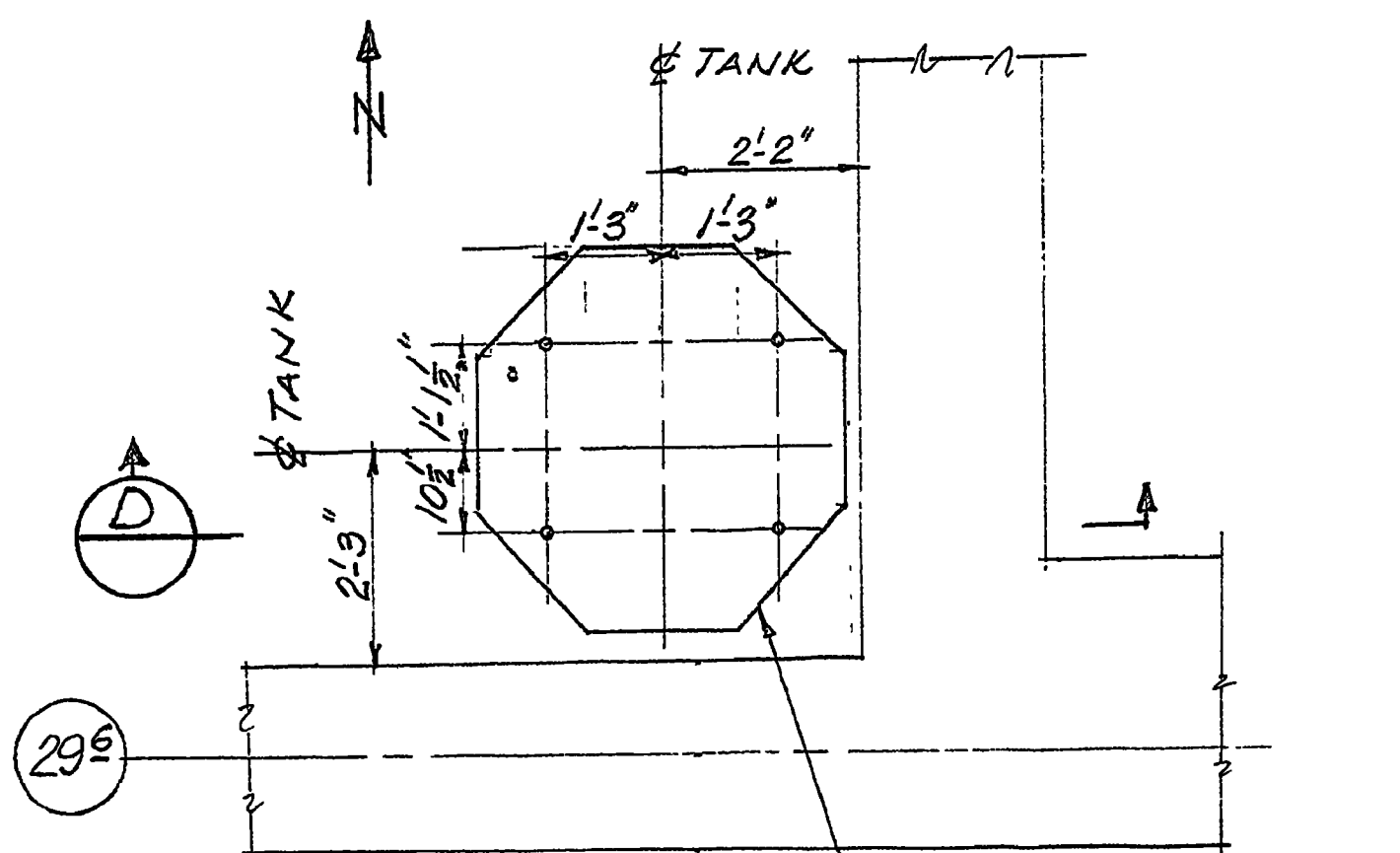
SECTION C
1/2" = 1'-0"



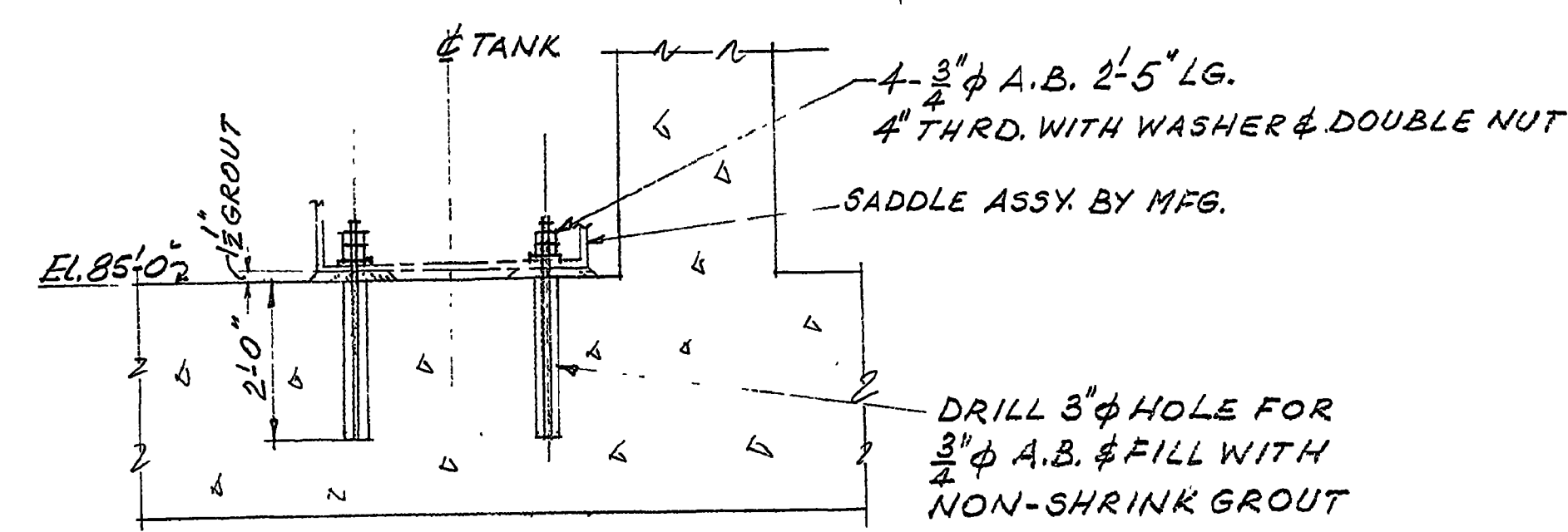
PLAN @ EL. 85'-0"



PLAN @ EL. 100'-0"



DETAIL 2
1/2" = 1'-0"



SECTION D
1/2" = 1'-0"

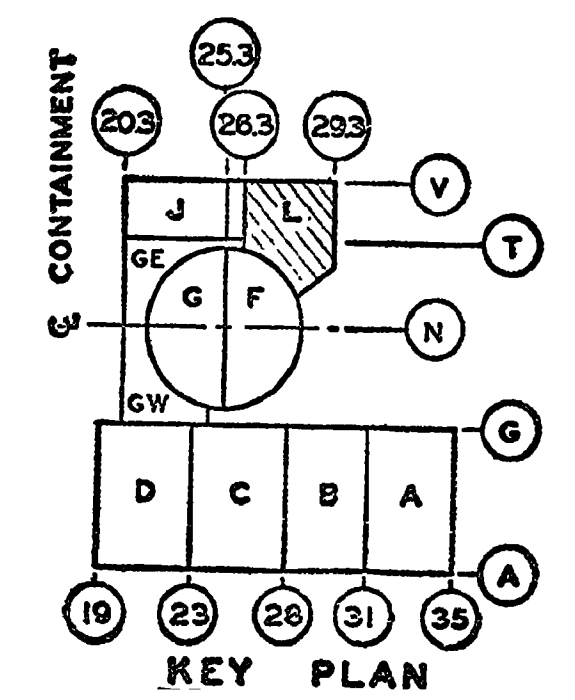
NOTES:

1. Outline of vent building shown on excavation dwg. 438200 is superseded by excavation dwg. 443061.
2. Asterisk (*) shows mastic side of inserts.
3. cut well casing @ EL. 84'-0".

REFERENCE DRAWINGS:

- Drawing List, notes & Legend 438425
- Concrete Reinforcing 443215
- Openings & Sleeve Drawings 441B18, 444B19, and 444277.

D.C. 683860



UNIT 2

DATE 10-31-2014	PROFESSIONAL SEAL REGISTERED PROFESSIONAL ENGINEER STATE OF CALIFORNIA	REVISION DESCRIPTION REVISED PER DDN-2*1027 DAS-6*641	DWG SCALES BILL OF MAT'L SUPDS: SUSPD BY: DRAWING SHEET PAGE REV 443204 1 0 12
D.O. IAZI			CIVIL CONCRETE OUTLINE PLANS AT ELEV. 85'-0" & 100'-9" AUXILIARY BUILDING - AREA "L"
R.E. Fx2			DIABLO CANYON POWER PLANT PACIFIC GAS AND ELECTRIC COMPANY SAN FRANCISCO, CALIFORNIA
T.V. KJD3			
P.E. N/A			