

40C

41C

42C

43C

44C

45C

46C

47C

48C

49C

A

B

C

D

E

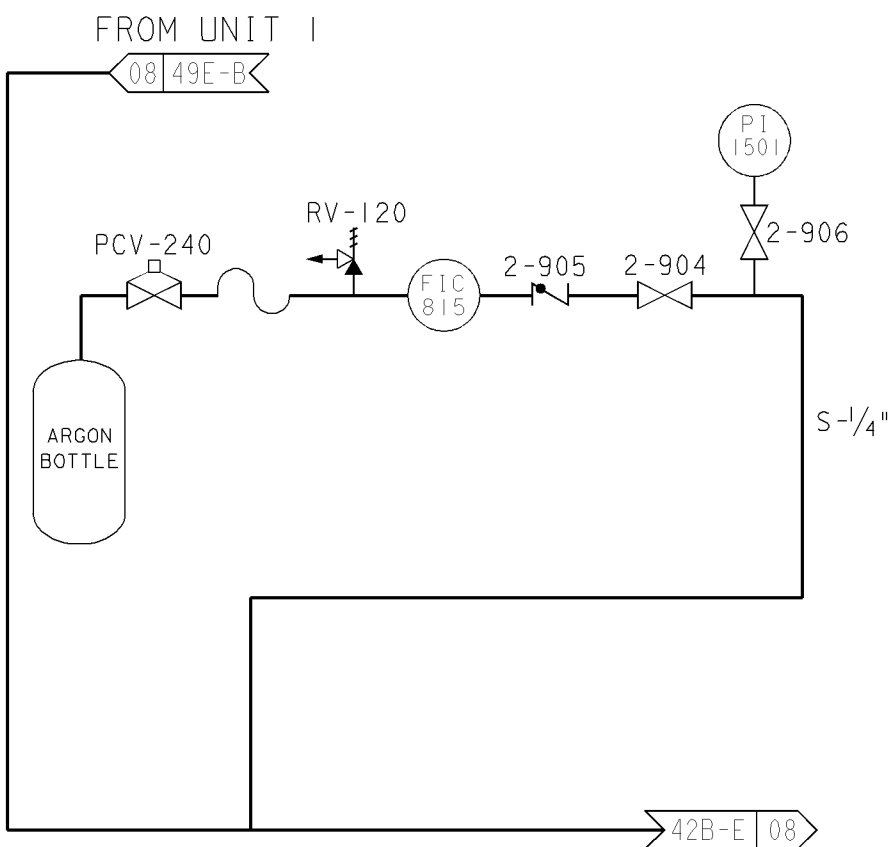
A

B

C

D

E



NOTE:

1. ALL "S" TUBING ON THIS SHEET IS PG&E CODE CLASS "E".

UNIT 2

P G & E CO.		108008	REV.
SHEET 4C	PAGE 0		1

CAD User: MIBF Date: 3-21-2003 DGN=8008S4C.DGN

INPGIC

3/25/03	MIBF	RXG2	KJD3	KERSI J. DALAL	MECHANICAL	M 16690	3/31/2004
DATE	DWN	RE	IV	PROFESSIONAL ENGINEER	PE DISC.	PE#	PE EXP.

Issued per DC2-SN-050577-00