

60A

61A

62A

63A

64A

65A

66A

67A

68A

69A

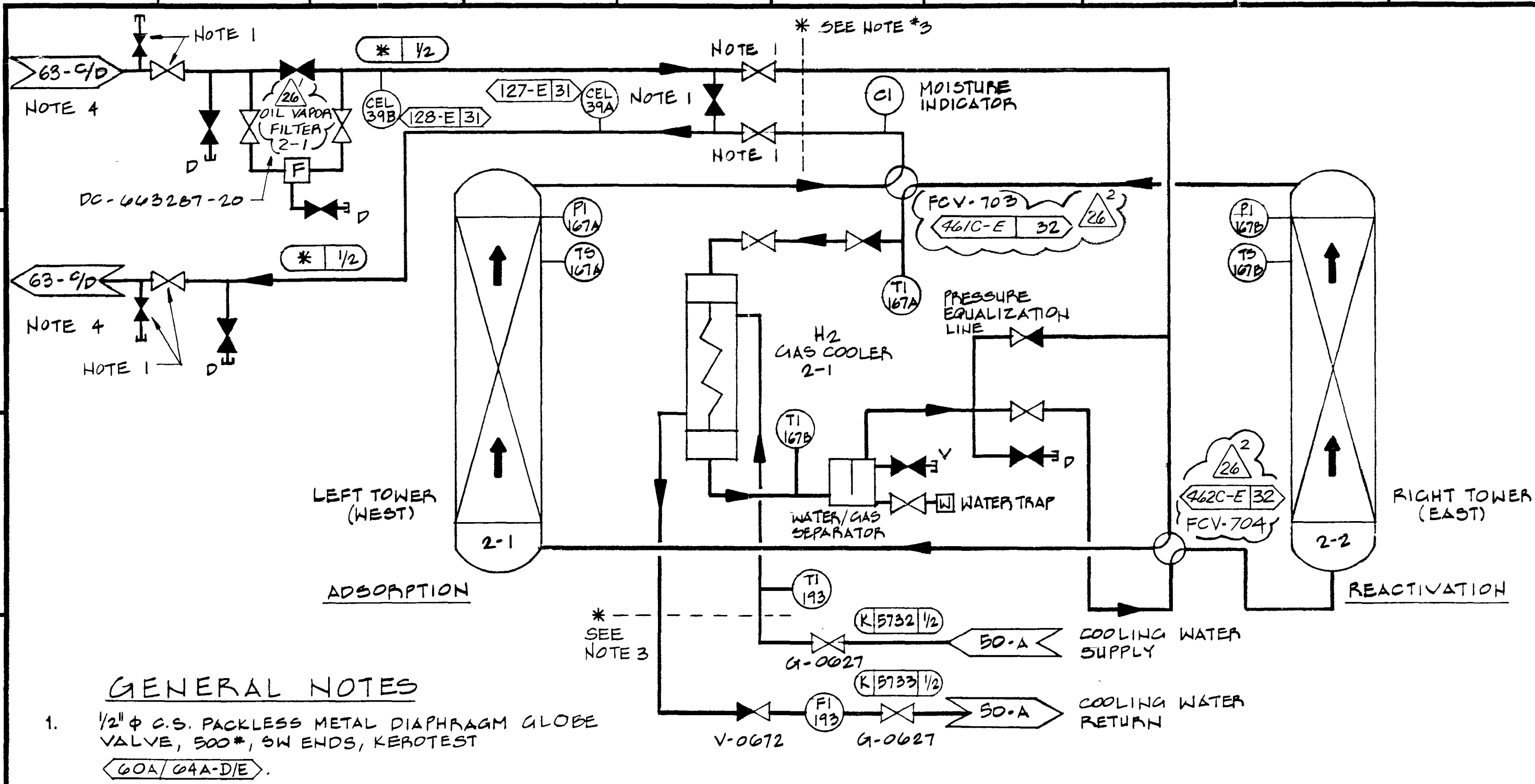
E

D

C

B

A



ADSORPTION

REACTIVATION

HYDROGEN GAS DRYER
DC-603287-1B

GENERAL NOTES

1. 1/2" φ C.S. PACKLESS METAL DIAPHRAGM GLOBE VALVE, 500*, SW ENDS, KEROTEST
60A/64A-D/E.
2. FCV-703 & 704 ARE CONNECTED WITH A COMMON OPERATOR CONTROLLED BY A TIMED SOLENOID.
3. VENDOR SUPPLIED, SKID MOUNTED EQUIPMENT
4. ALL PIPING SHALL BE PG & E CLASS E.

UNIT-2

24	PG&E CO.	108022	REV.
	SHEET 6A		26
RM INDEXED REV.		MICROFILM	S 26

SCAN 70 IC