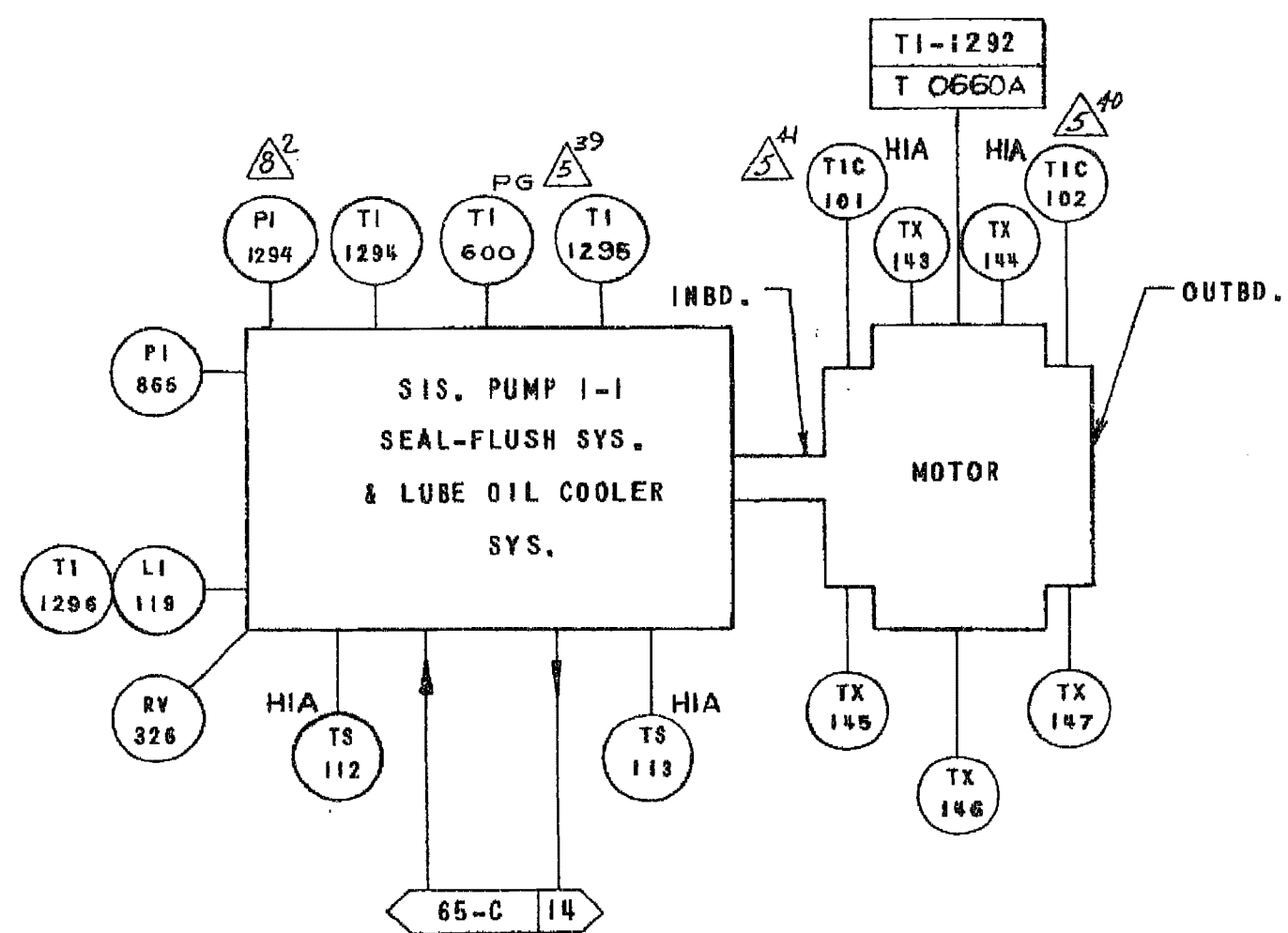


E  
D  
C  
B  
A



SERVICE	ITEM NO.	PG&E INSTR. NO.	
		PUMP 1	PUMP 2
L.O. COOLER RELIEF VALVE	S13	RV-326	RV-327
PUMP THRUST BRG. L.O. SUPPLY	S11	PI-865	PI-866
PUMP L.O. RESERVOIR	S09	LI-119	LI-120
L.O. CLR. OUTLET L.O. TEMP.	S06	TI-1294	TI-1297
PUMP THRUST BRG. L.O. TEMP.	S03	TI-1295	TI-1298
PUMP OUTBD. SEAL-FLUSH TEMP.	G15	TS-112	TS-114
PUMP INBD. SEAL-FLUSH TEMP.	G15	TS-113	TS-115
PUMP INBD. BRG. TEMP.	---	TI-600	TI-601
L.O. CLR. OUTLET L.O. PRESSURE	T41	PI-1294	PI-1297
MOTOR STATOR TEMP.	SLOT 1	TI-1292 T 0660A	TI-1293 T 0661A
MOTOR STATOR TEMP.	SLOT 7	TX-143	TX-148
MOTOR STATOR TEMP.	SLOT 13	TX-144	TX-149
MOTOR STATOR TEMP.	SLOT 19	TX-145	TX-150
MOTOR STATOR TEMP.	SLOT 25	TX-146	TX-151
MOTOR STATOR TEMP.	SLOT 31	TX-147	TX-152
MOTOR INBD. BRG. TEMP.	---	TIC-101	TIC-104
MOTOR OUTBD. BRG. TEMP.	---	TIC-102	TIC-105

BY PGE

SIS. PUMP INSTR.  
TYP.

- REF:  
 DC-663216-26  
 DC-663216-32  
 DC-663216-33  
 DC-663216-43

UNIT I

P G & E CO.		102009	REV.
SHEET 7	PAGE 0		14

CAD User: CMG9 Date: 4-16-1999  
 DGN=2009S7.DGN  
 RASTER=2009S7.TIF

INPGIC

4/27/99	CMG9	FXC2	-	KERSI J. DALAL	MECHANICAL	M 16690	3/31/2000	Enhanced per FCT 023917
DATE	DWN	RE	IV	PROFESSIONAL ENGINEER	PE DISC.	PE#	PE EXP.	