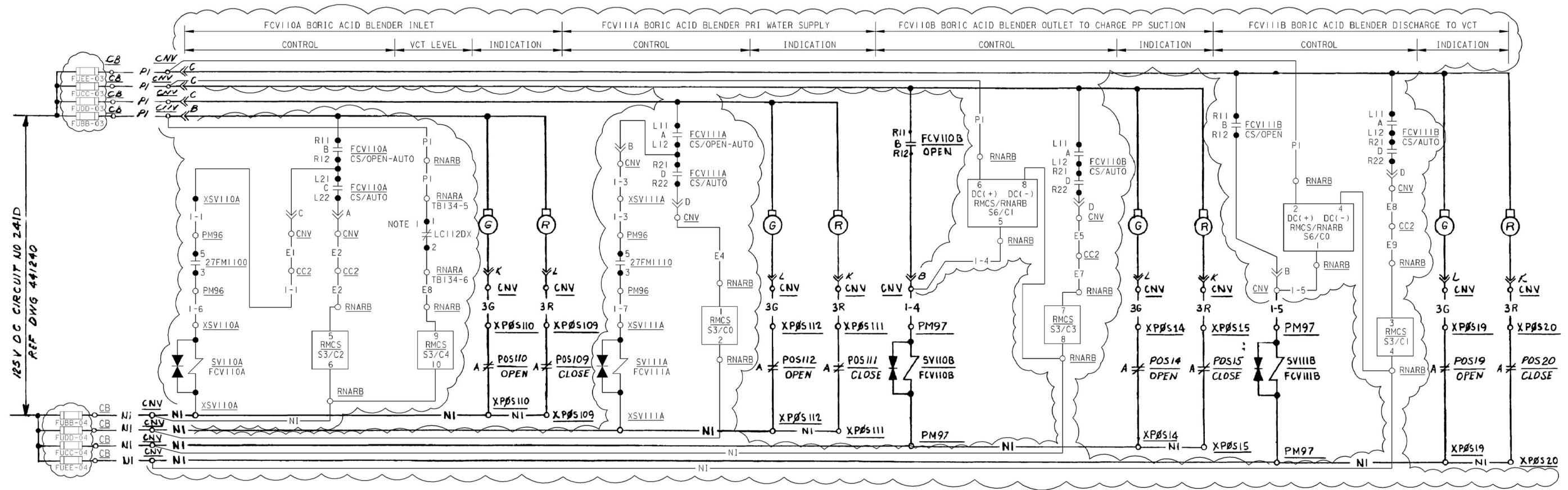
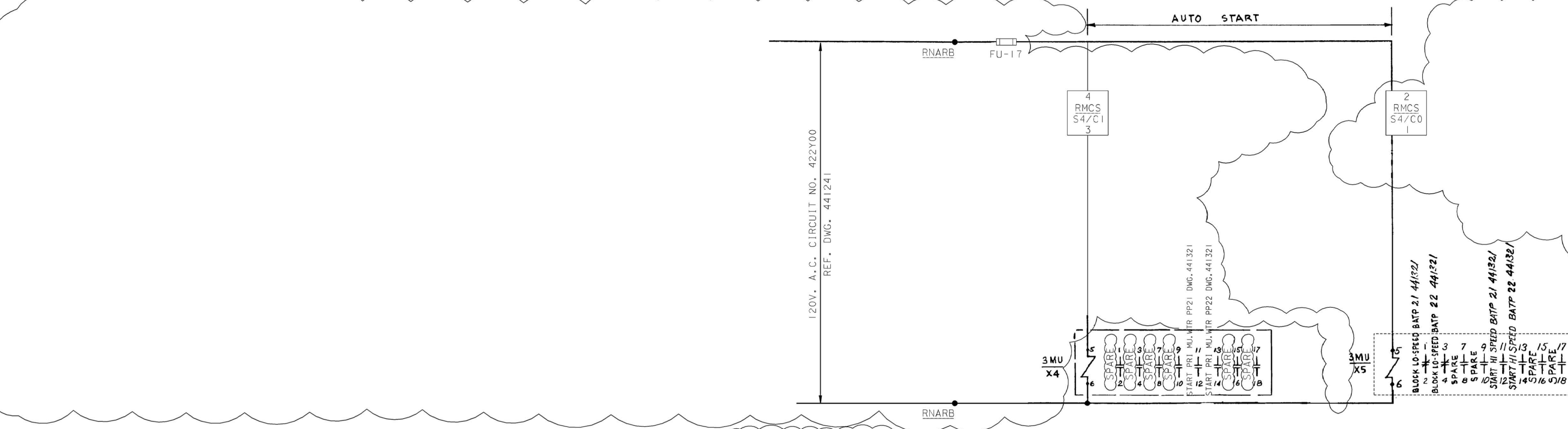


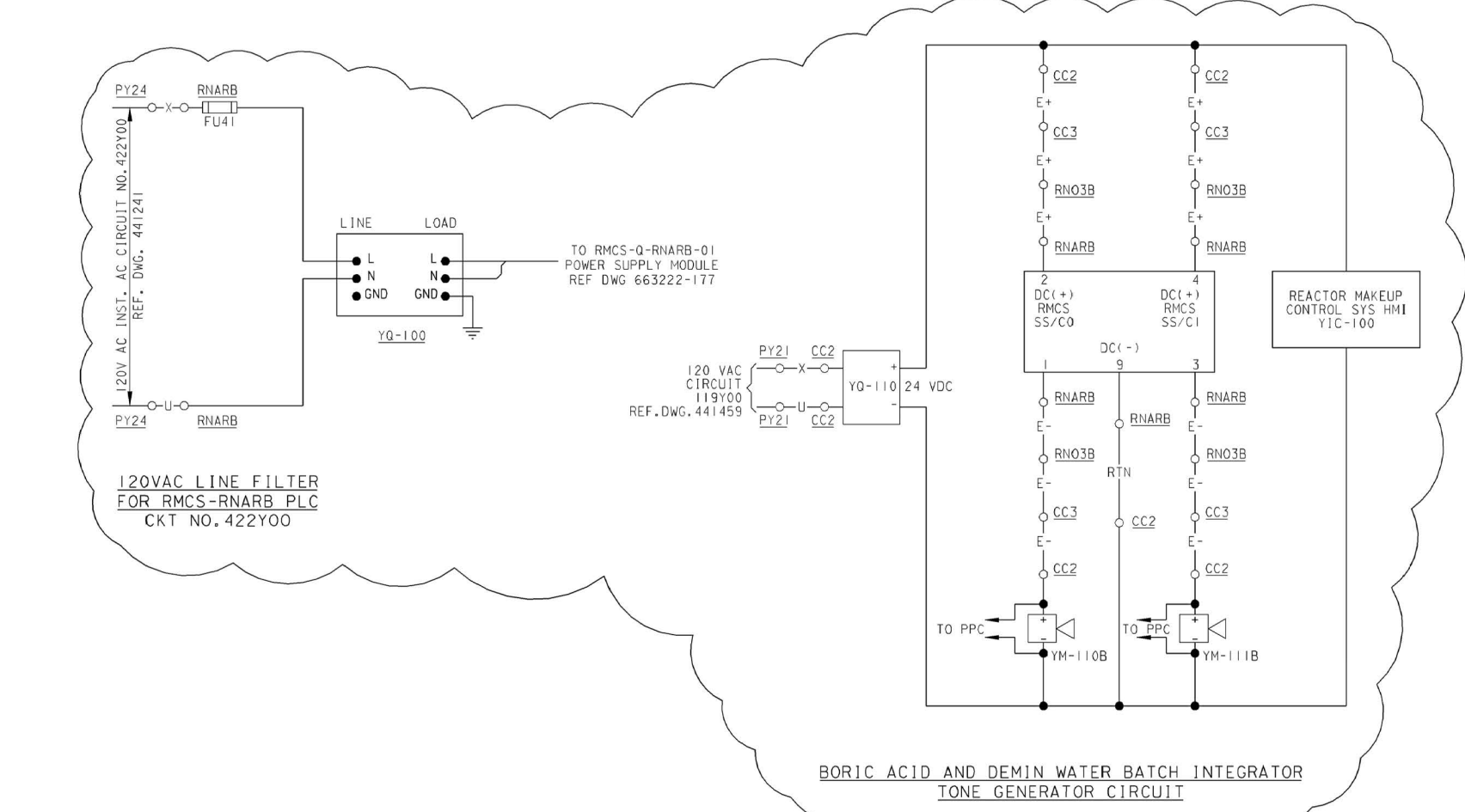
MANUF DEV NO	PG&E DEV NO	FUNCTION	RATING	MFG	TYPE	CAT NO	REMARKS
	3MX4	MAKEUP SYS AUX RELAYS	120VAC	W.E.	AR	ARB30AR	
LC112DX		VCT LEVEL CONTROLLER AUX RLY				663193-259	
SV110A		SOLINOID VALVE FCV-110A	125VDC	ASCO			REF 11
SV111A		SOLINOID VALVE FCV-111A	125VDC	ASCO			REF 12
SV110B		SOLINOID VALVES					
SV111B							
FCV110A		FLOW CONTROL VALVE FCV-110A	125VDC	CCI			REF 11
FCV111A		FLOW CONTROL VALVE FCV-111A	125VDC	CCI			REF 12
FCV110B		FLOW CONTROL VALVE					
FCV111B							
POS---		VELVE POSITION SWITCHES					
YM-110B		BORIC ACID BATCH INTEGRATOR TONE GENERATOR	24VDC	RTK	DB5		
YM-111B		PRIMARY WTR BATCH INTEGRATOR TONE GENERATOR	24VDC	RTK	DB5		
YD-110		BORIC ACID BATCH INTEGRATOR 120V AC/24VDC PWR SUPPLY	120VAC	SOLA	SDN	SDN-25-24-100	
YH0100		120V AC LINE FILTER	120VAC	CONTROL	CONCEPTS	6012372-55	
RMCS S3/CO		FCV111A CONTROL SW IN AUTO			ALLEN BRADLEY		REF 10
RMCS S3/C1		DI INTO RMCS PLC SLOT 3/CHANNEL 0			ALLEN BRADLEY		REF 10
RMCS S3/C2		DI INTO RMCS PLC SLOT 3/CHANNEL 1			ALLEN BRADLEY		REF 10
RMCS S3/C3		DI INTO RMCS PLC SLOT 3/CHANNEL 2			ALLEN BRADLEY		REF 10
RMCS S3/C4		DI INTO RMCS PLC SLOT 3/CHANNEL 3			ALLEN BRADLEY		REF 10
RMCS S4/CO		DI INTO RMCS PLC SLOT 4/CHANNEL 0			ALLEN BRADLEY		REF 10
RMCS S4/C1		DI INTO RMCS PLC SLOT 4/CHANNEL 1			ALLEN BRADLEY		REF 10
RMCS S4/C2		DI INTO RMCS PLC SLOT 4/CHANNEL 2			ALLEN BRADLEY		REF 10
RMCS S4/C3		DI INTO RMCS PLC SLOT 4/CHANNEL 3			ALLEN BRADLEY		REF 10
RMCS S5/CO		DO FROM RMCS SLOT 5/CHANNEL 0			ALLEN BRADLEY		REF 10
RMCS S5/C1		DO FROM RMCS SLOT 5/CHANNEL 1			ALLEN BRADLEY		REF 10
RMCS S5/C2		DO FROM RMCS SLOT 5/CHANNEL 2			ALLEN BRADLEY		REF 10
RMCS S5/C3		DO FROM RMCS SLOT 5/CHANNEL 3			ALLEN BRADLEY		REF 10
RMCS S6/CO		DO FROM RMCS PLC SLOT 6/CHANNEL 0			ALLEN BRADLEY		REF 10
RMCS S6/C1		DO FROM RMCS PLC SLOT 6/CHANNEL 1			ALLEN BRADLEY		REF 10
27FM110		FCV110A VLV CONTROLLER LV RLY	24VDC	O'RON			REF 11
27FM111		FCV111A VLV CONTROLLER LV RLY	24VDC	O'RON			REF 12

FUNCTIONAL ABBREVIATION:  
 PLC-PROGRAMMABLE LOGIC CONTROLLER  
 DI-DIGITAL INPUT  
 DO-DIGITAL OUTPUT  
 RMCS-REACTOR MAKEUP CONTROL SYSTEM  
 BATP-BORIC ACID TRANSFER PUMP

REACTOR COOLANT MAKE-UP SYSTEM CONTROL CIRCUIT



REACTOR COOLANT MAKE-UP SYSTEM VALVES



CONTACT	POSITION	REMARKS
-I- A	CLOSE	RED LT. RED LT. RED LT.
-I- B	X	SPARE SPARE SPARE
-I- C	X	SPARE SPARE
-I- D	X	SPARE SPARE

VALVE CLOSE POSITION SWITCH

CONTACT	POSITION	REMARKS
-I- A	CLOSE	GREEN LT. GREEN LT.
-I- B	X	SPARE SPARE
-I- C	X	SPARE SPARE
-I- D	X	SPARE SPARE

VALVE OPEN POSITION SWITCH

NOTE:  
 1. BORIC ACID BATCH INTEGRATOR CONTACT CLOSED BELOW PRESET QUANTITY.

EQUIPMENT LOCATION NUMBERS  
 CC2 CONTROL CONSOLE - DEMINERALIZER & MAKE-UP WATER  
 CNV CONTROL BOARD - CHEMICAL & VOLUME CONTROL  
 RNARB RACK NUCLEAR - AUXILIARY RELAY CUBICLE A  
 RNARB RACK NUCLEAR CONTROL SET 1 CUBICLE B  
 XSV110A INSTRUMENT SV110A (LOCAL MOUNTED)  
 RNARB NUCLEAR RACK, AUXILIARY RELAY CUBICLE B  
 PM96 MECHANICAL PANEL 96

REFERENCE DRAWINGS  
 1. DESCRIPTION OF ELECT. SCHEMATIC DIAG. SYMBOLS & CKT. DESIGNATIONS - DWG.# 050003  
 2. EQUIPMENT LOCATION NUMBERS - DWG.# 103013  
 3. PIPING SCHEMATIC - CHEMICAL & VOLUME CONTROL SYSTEM - DWG.# 108008  
 4. INSTRUMENT SCHEMATIC - MULTIVARIABLE INSTRUMENT SYSTEMS - DWG.# 108036  
 5. SINGLE LINE METER & RELAY - 125 VDC - DWG.# 441240  
 6. SCHEMATIC DIAGRAM - CHEMICAL & VOLUME CONTROL SYSTEM - SHEET 2 - DWG.# 441321  
 7. SINGLE LINE METER & RELAY DIAG. - INSTR. A.C. SYSTEM - DWG.# 441241  
 8. DELETED  
 9. CONTROL CONSOLE - SECTION 2002 - DWG.# 152586  
 10. MAKEUP BATCH INTEGRATOR FUNCTIONAL REQUIREMENTS - DWG.# 663195-28  
 11. CCI VENDOR MANUAL FOR FCV-110A - DWG.# 6012372-61  
 12. CCI VENDOR MANUAL FOR FCV-111A - DWG.# 6012372-62  
 13. MAIN ANNUNCIATOR SCHEMATIC - DWG.# 500777  
 14. VENDOR DWG INTERNAL DIAGRAM - DWG.# 663222-127, -171, -175, -176, -177

KEY DWG. SECTION 4 UNIT 2

DATE 04-15-2008  
 D.D. ADMI  
 R.E. FXC2  
 I.V.  
 P.E. RWB7

REVISION DESCRIPTION  
 REVISED PER DC2-SE-50779-01 AND FCT-32610

ELECTRICAL SCHEMATIC DIAGRAM  
 REACTOR COOLANT MAKE-UP CONTROL

DIABLO CANYON POWER PLANT  
 PACIFIC GAS AND ELECTRIC COMPANY  
 SAN FRANCISCO, CALIFORNIA

DWG SCALE: BILL OF MAT'L: S/PSDS: S/PSD BY: DRAWING SHEET PAGE REV  
 441320 1 0 11

RASTER=441320.dgn  
 DCN=441320.dgn  
 CAD User=ADMT Date: 04-15-2008