



UNITED STATES  
NUCLEAR REGULATORY COMMISSION  
WASHINGTON, D.C. 20555-0001

November 8, 2021

LICENSEE: Northern States Power Company

FACILITY: Prairie Island Nuclear Generating Plant, Units 1 and 2

SUBJECT: SUMMARY OF OCTOBER 19, 2021, MEETING WITH NORTHERN STATES POWER COMPANY, DOING BUSINESS AS XCEL ENERGY, RELATED TO A THE LICENSE AMENDMENT TO EXTENDED THE ALLOWED OUTAGE TIME FOR THE VERTICAL MOTOR DRIVEN COOLING WATER SYSTEM PUMP (EPID L-2021-LLA-0187)

On October 19, 2021, an observation public meeting was held between the U.S. Nuclear Regulatory Commission (NRC), and representatives of Northern States Power Company, doing business as Xcel Energy (Xcel Energy, the licensee). The purpose of the meeting was for Xcel Energy to provide information about an amendment submitted October 7, 2021 (Agencywide Documents Access and Management System (ADAMS) Accession No. ML21281A017) for Prairie Island Nuclear Generating Plant, Units 1 and 2 (Prairie Island). The amendment would modify the Prairie Island technical specifications (TSs) to extend the allowed outage time for the vertical motor driven cooling water (CL) system pump. The meeting notice and agenda, dated October 15, 2021, are available in ADAMS at Accession No. ML21288A046. A list of attendees is provided as Enclosure 1.

The licensee presented information regarding planned maintenance on CL system piping that will be replaced because the piping has indications of microbiologically induced corrosion (MIC). The licensee presented simplified diagrams (Enclosure 2) of the CL system and described the planned maintenance and contingency plans to potentially install a blind flange if the existing valves leak. The NRC staff queried the licensee on the availability of the back-up pump (pump 121 in the simplified diagram in Enclosure 2) during the maintenance. The licensee explained that during the maintenance the back-up pump would not be available. The NRC staff asked the licensee how long they estimated the maintenance would take. The licensee stated that the maintenance is anticipated to take approximately 5 days per unit if the contingency of installing the blind flanges was necessary. The NRC staff queried the licensee on the risk informed completion time (RICT) permitted by TS LCO, Condition B.3, and the licensee indicated that the RICT they have calculated is 30 days for this configuration.

The NRC staff noted that TSTF-GG-05-01 "Writer's Guide for Plant-Specific Improved Technical Specifications," (ADAMS Accession No. ML060720511) Section 2.8.2 "Temporary Changes" recommends that temporary change like that proposed in the subject amendment not be included as footnotes. However, the proposed amendment does include the change as a footnote. The NRC staff queried the licensee on including the change as a footnote in the TSs. The licensee indicated that due to the length of the proposed change, previous changes to the Prairie Island TSs, and discussion with site operations, a footnote was determined to be the appropriate change.

No members of the public were in attendance. No regulatory decisions were made at this meeting.

Please direct any inquiries to me at 301-415-3733 or [Robert.Kuntz@nrc.gov](mailto:Robert.Kuntz@nrc.gov).

*/RA/*

Robert Kuntz, Senior Project Manager  
Plant Licensing Branch III  
Division of Operating Reactor Licensing  
Office of Nuclear Reactor Regulation

Docket Nos. 50-282 and 50-306

Enclosures

1. List of Attendees
2. CL Simplified Diagram

cc: Listserv

LIST OF ATTENDEES  
OCTOBER 19, 2021, MEETING WITH  
NORTHERN STATES POWER COMPANY  
AMENDMENT REQUEST TO EXTEND ALLOWED OUTAGE TIME FOR  
THE VERTICAL MOTOR DRIVEN COOLING WATER SYSTEM PUMP

Nuclear Regulatory Commission

Robert Kuntz  
Gordon Curran  
Jeff Circle  
April Pulvirenti  
Brian Wittick  
Joshua Willson

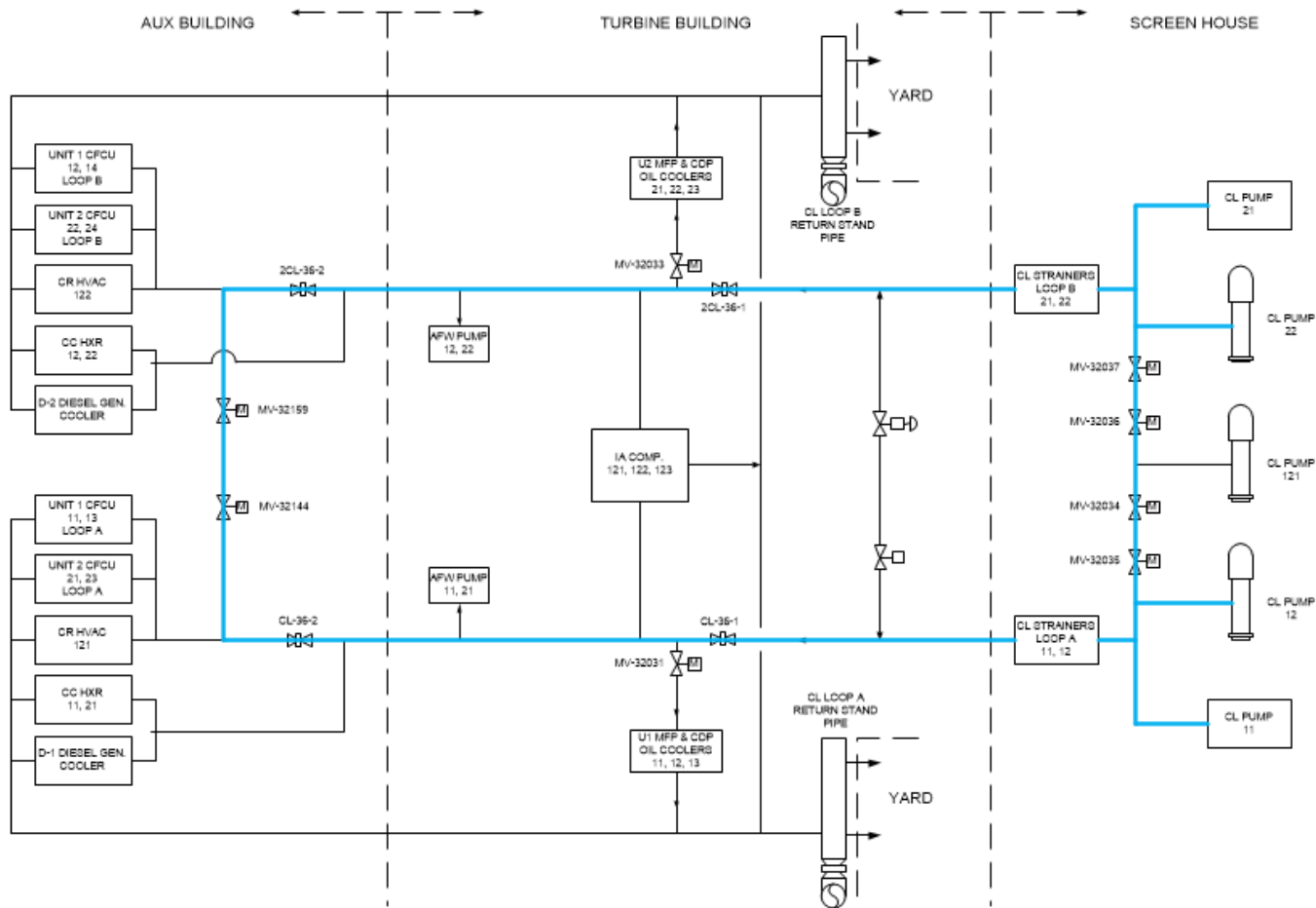
Northern States Power Company

Sara Scott  
Jeff Kivi  
Ashley Malek  
Brian Slack  
Nathan Buechler  
Mark Loosbrock  
Martin Cabiro

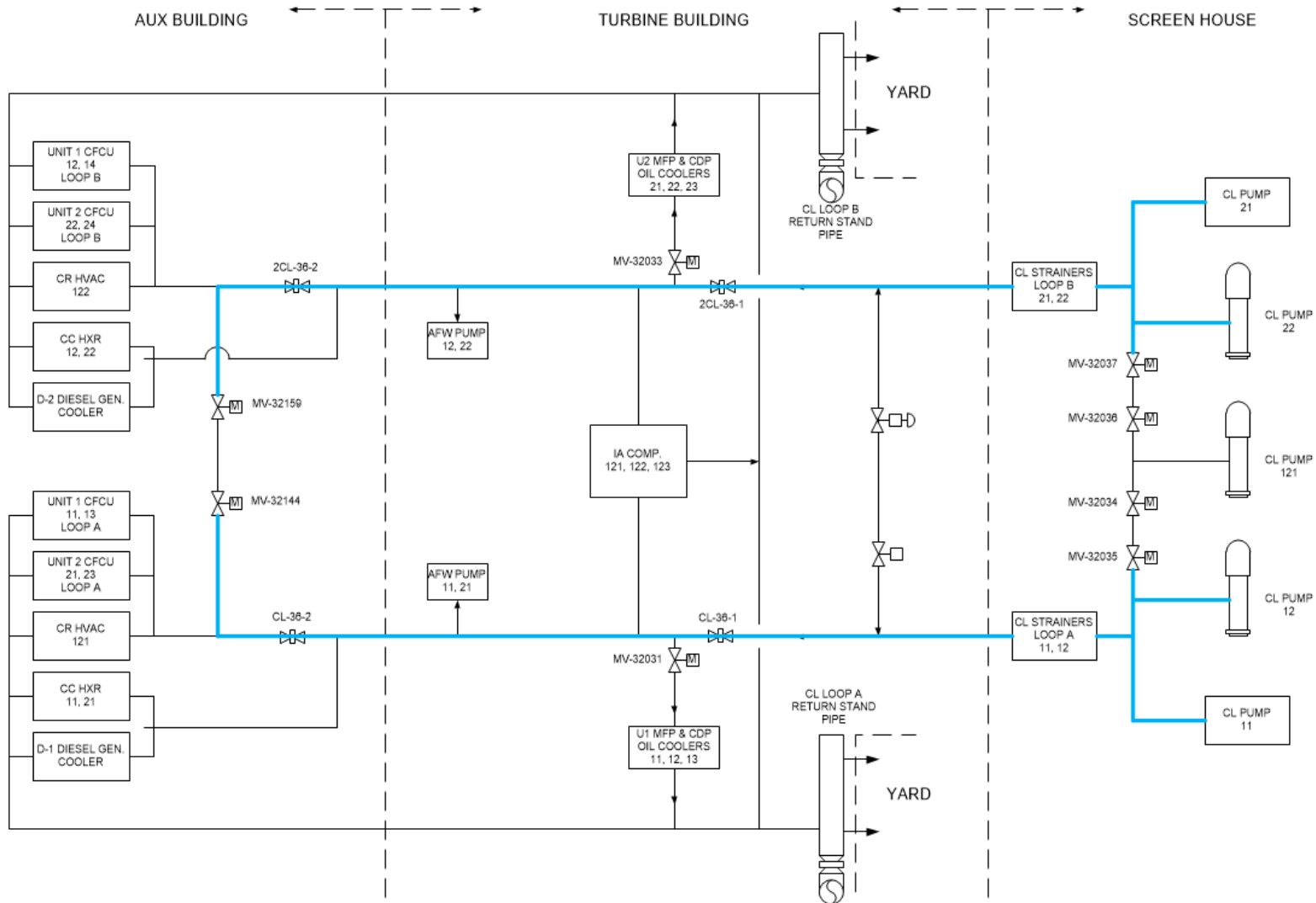
Enclosure 2

CL Simplified Diagram

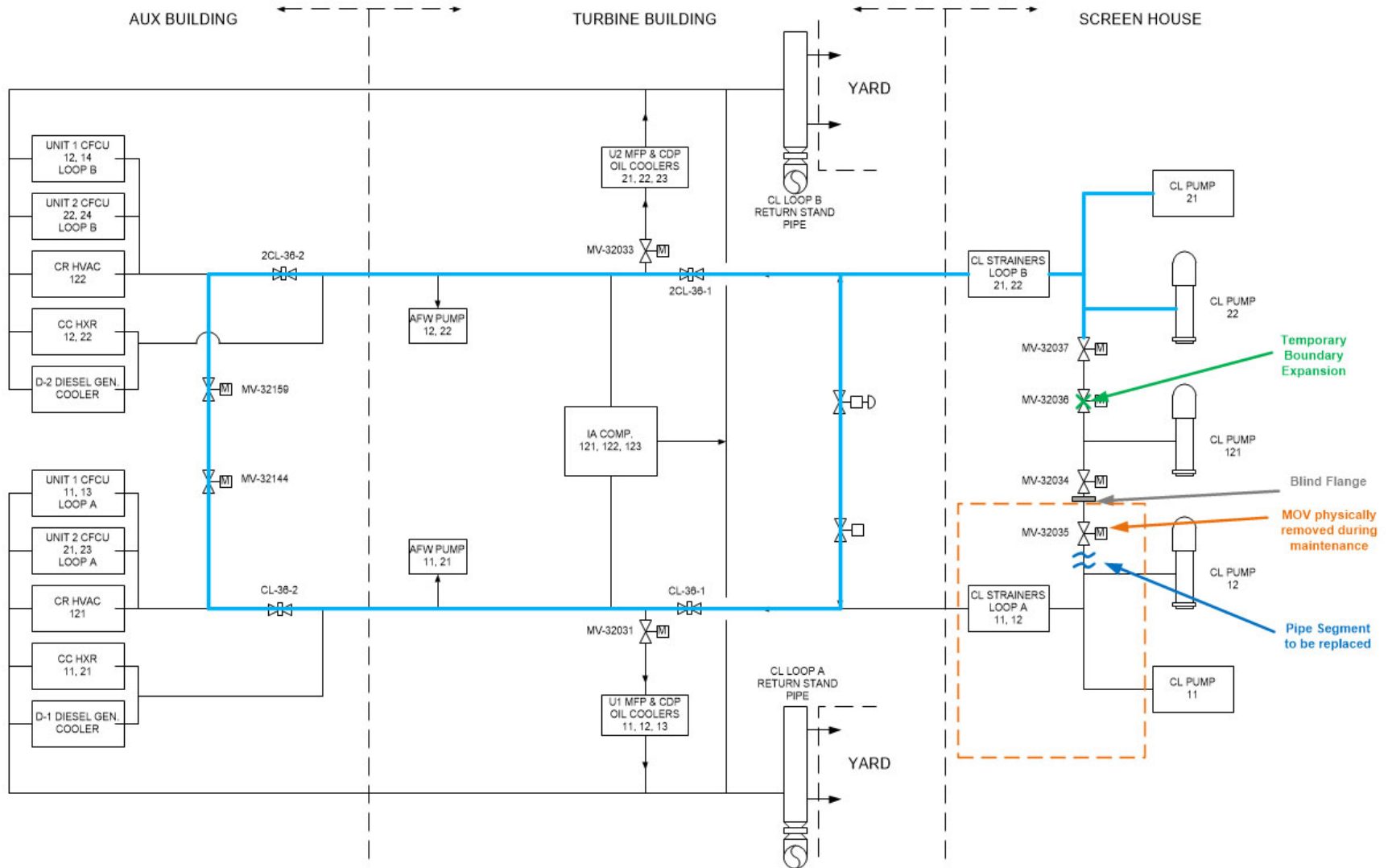
CL System Simplified Diagram – Figure 1 – Ring Header Operation



## CL System Simplified Diagram – Figure 2 – Split Header Operation



### CL System Simplified Diagram – Figure 3 – A Header Maintenance



SUBJECT: SUMMARY OF OCTOBER 19, 2021, MEETING WITH NORTHERN STATES POWER COMPANY, DOING BUSINESS AS XCEL ENERGY, RELATED TO A THE LICENSE AMENDMENT TO EXTENDED THE ALLOWED OUTAGE TIME FOR THE VERTICAL MOTOR DRIVEN COOLING WATER SYSTEM PUMP (EPID L-2021-LLA-0187) DATED NOVEMBER 8, 2021

**DISTRIBUTION:**

PUBLIC  
LPL3 File Copy  
RidsACRS\_MailCTR Resource  
RidsNrrDorlLpl3 Resource  
RidsNrrLASRohrerResource  
RidsRgnlllMailCenter Resource  
GCurran, NRR  
JCircle, NRR  
JWilson, NRR  
APurvirenti, NRR

**ADAMS Accession No.: ML21294A044**

OFFICE	NRR/DORL/LPL3/PM	NRR/DORL/LPL3/LA	NRR/DORL/LPL3/BC	NRR/DORL/LPL3/PM
NAME	RKuntz	SRohrer	NSalgado J Wiebe for	RKuntz
DATE	10/21/21	10/21/21	11/8/21	11/8/21

**OFFICIAL RECORD COPY**