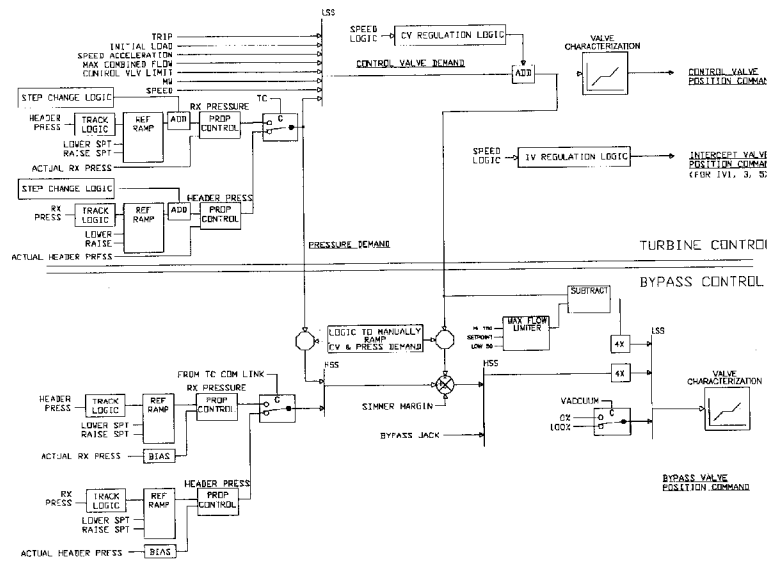


BFN-22

Figure 7.11-1  
(Deleted by Amendment 22)

|



AMENDMENT 22

BROWNS FERRY NUCLEAR PLANT  
FINAL SAFETY ANALYSIS REPORT

TURBINE CONTROL & REACTOR PRESSURE  
CONTROL SYSTEM  
FUNCTIONAL BLOCK DIAGRAM

FIGURE 7.11-2