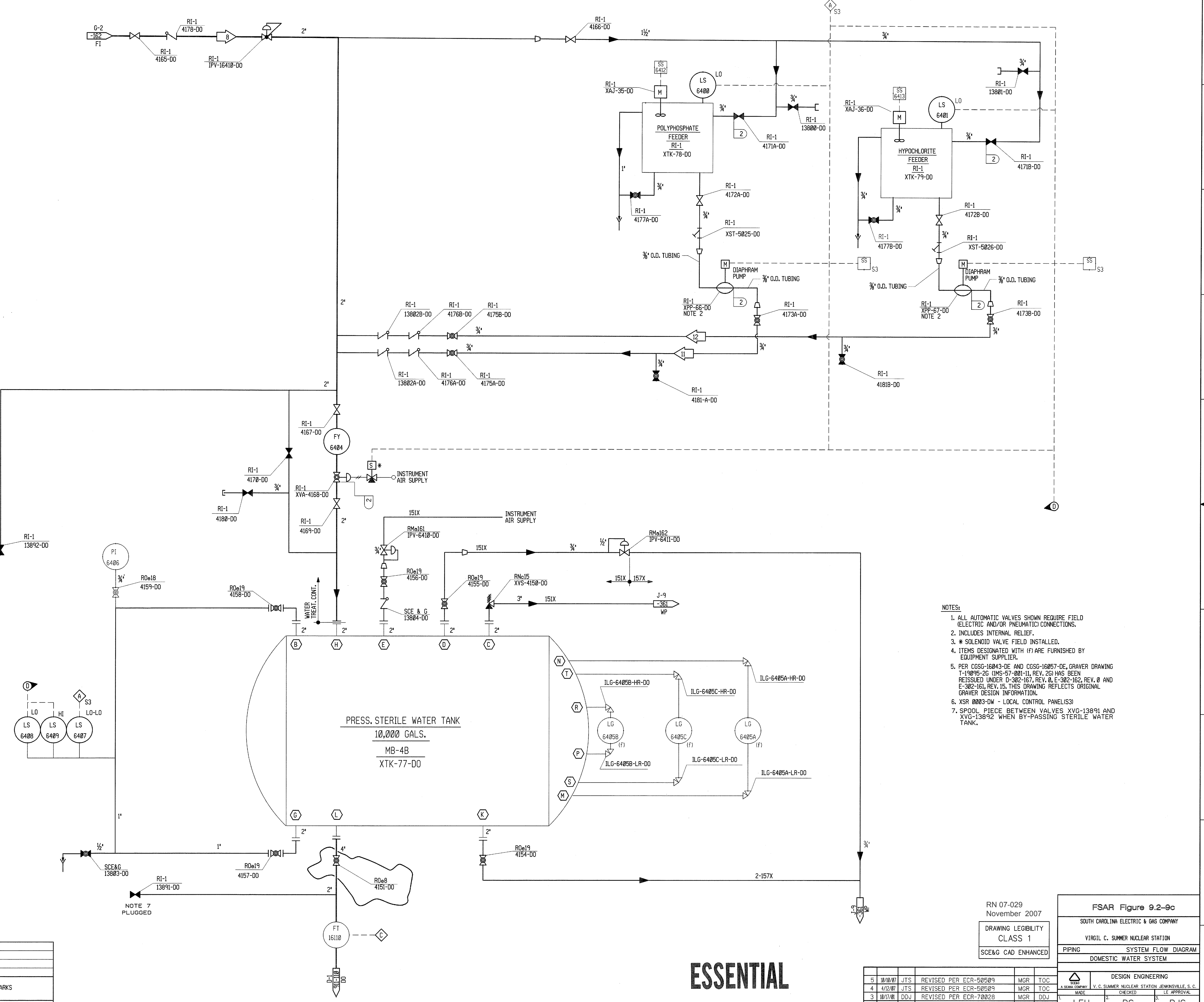


SYSTEM DATA					
#	GPM	PSIG	° F	BY	REMARKS
8	100	103	90	GHR	
11	7 *	100	90	GHR	GPH *
12	6.2 *	100	90	GHR	GPH *



- NOTES:
- ALL AUTOMATIC VALVES SHOWN REQUIRE FIELD (ELECTRIC AND/OR PNEUMATIC) CONNECTIONS.
 - INCLUDES INTERNAL RELIEF.
 - * SOLENOID VALVE FIELD INSTALLED.
 - ITEMS DESIGNATED WITH (F) ARE FURNISHED BY EQUIPMENT SUPPLIER.
 - PER CGSS-16043-DE AND CGSS-16057-DE, GRAVER DRAWING T-19095-26 (IMS-57-001-11, REV. 20) HAS BEEN REISSUED UNDER D-302-167, REV. 0, E-302-162, REV. 0 AND E-302-161, REV. 15. THIS DRAWING REFLECTS ORIGINAL GRAVER DESIGN INFORMATION.
 - XSR 0003-DW - LOCAL CONTROL PANEL(S)
 - SPOOL PIECE BETWEEN VALVES XVG-13891 AND XVG-13892 WHEN BY-PASSING STERILE WATER TANK.

HYDRO TEST TEMP. - AMBIENT

#	PSIG	° F	PSIG	° F	DURA.	HY-DRO	BY	CHKD	REMARKS
2	115	90	130	95	< 1/2	225	GHR		

DESIGN DATA

RN 07-029
November 2007

DRAWING LEGIBILITY
CLASS 1

SCE&G CAD ENHANCED

FSAR Figure 9.2-9c
SOUTH CAROLINA ELECTRIC & GAS COMPANY
VIRGIL C. SUMNER NUCLEAR STATION
PIPING SYSTEM FLOW DIAGRAM
DOMESTIC WATER SYSTEM

ESSENTIAL

NO.	DATE	BY	REVISION	CHKD.	APPROVAL
5	10/07	JTS	REVISED PER ECR-50509	MGR	TOC
4	4/07	JTS	REVISED PER ECR-50509	MGR	TOC
3	10/07	DDJ	REVISED PER ECR-70028	MGR	DDJ
2	03/97	DDJ	REVISED PER CGSS-97-0392	LEK	MGR
1	1/29/97	RHM	REVISED PER CGSS-25716-DE	DDJ	NJ

NO. DATE BY REVISION CHKD. BY APPROVAL

DESIGN ENGINEERING
V. C. SUMNER NUCLEAR STATION, JENKINSVILLE, S. C.

MADE CHECKED APPROVAL
LEH PS PJS

D-302-167
DRAWING NUMBER SHEET NUMBER