

SYSTEM DATA				
#	G.P.M	PSIG	°F	BY
1	120	210	48 TO 100	GHC
2	150	210	48 TO 100	GHC
3	150	210	48 TO 100	GHC
4	115	150	200	GHC
5	120	110	100	GHC

MU	11900	11901
MU	1900	1945
SYS SUFFIX	FIRST NO	LAST NO

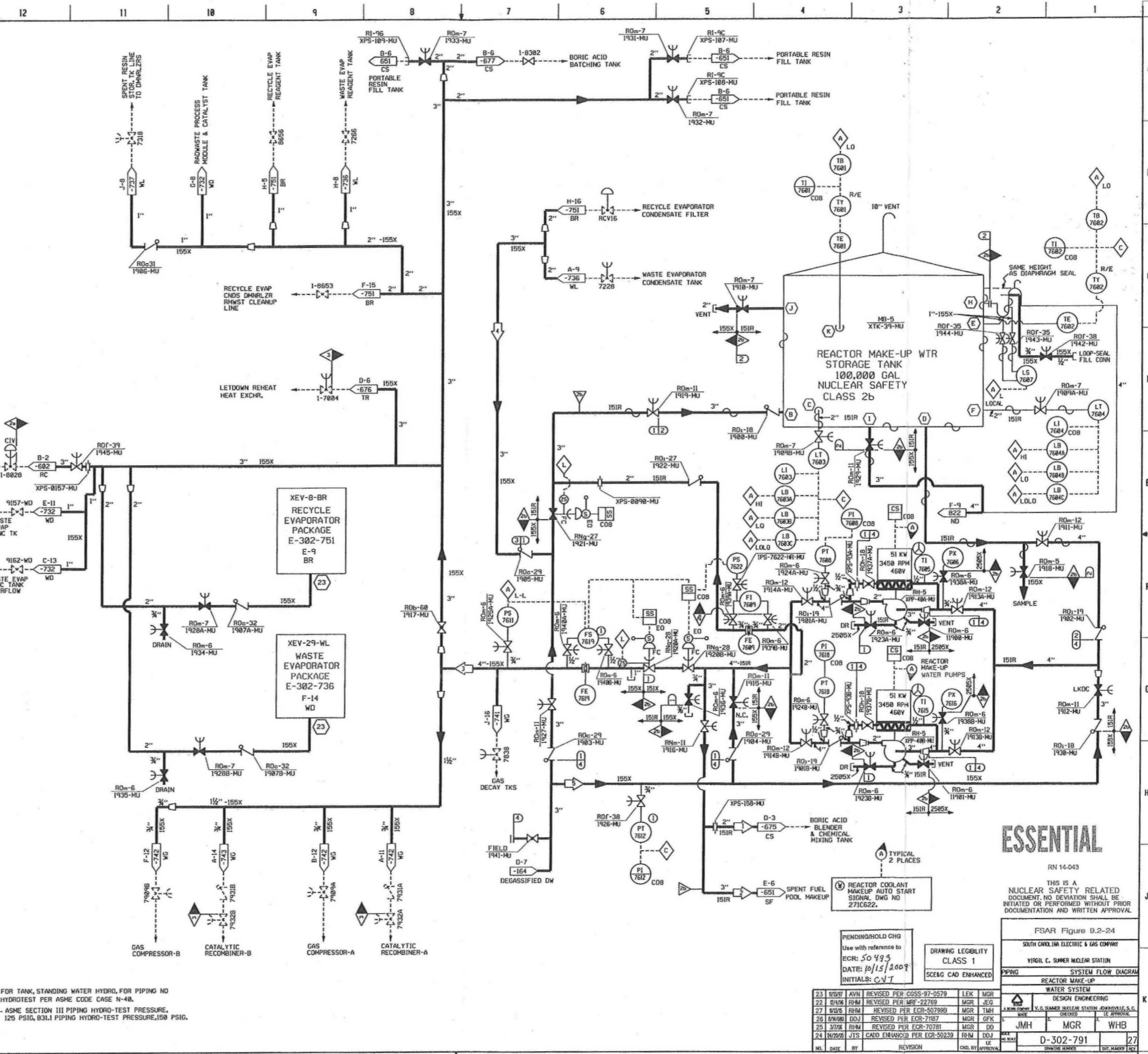
VALVE NUMBERING

MIN HYDROSTATIC TEST TEMP TO BE 60°									
	4	100	100	110	100	10%	10%	DTK	JOS
1	200	120	30	120	-	165	SMC	JOS	
2	30	120	30	120	-	165	SMC	JOS	
3	120	120	210	120	-	10%	265	SMC	JOS
4	250	F	PSIG	F	OPERATION	HY-DR	BY	CHK	REMARKS

* - FOR TANK, STANDING WATER HYDRO, FOR PIPING NO HYDROTEST PER ASME CODE CASE N-40.
 ** - ASME SECTION III PIPING HYDRO-TEST PRESSURE, 125 PSIG, 0.31 PIPING HYDRO-TEST PRESSURE, 150 PSIG.

DESIGN DATA

INSIDE REAC CONTAINMENT
OUTSIDE REAC CONTAINMENT



ESSENTIAL
RN 14-043

THIS IS A NUCLEAR SAFETY RELATED DOCUMENT. NO DEVIATION SHALL BE INITIATED OR PERFORMED WITHOUT PRIOR DOCUMENTATION AND WRITTEN APPROVAL.

PENDING/HOLD CHG
Use with reference to ECR: 50493
DATE: 10/15/2009
INITIALS: C.V.T.

DRAWING LEGIBILITY CLASS 1
SCE&G CAD ENHANCED

NO.	DATE	BY	REVISION	CHK. BY	APPROVAL
23	10/15/09	AVN	REVISED PER CQSS-97-0579	LEK	MGR
22	04/06/09	RHM	REVISED PER MRF-22769	MGR	JEG
27	11/05/08	RHM	REVISED PER ECR-507990	MGR	TMH
26	04/06/09	DDJ	REVISED PER ECR-71187	MGR	GFK
25	3/7/08	RHM	REVISED PER ECR-70781	MGR	DD
24	11/09/06	JTS	CADD ENHANCED PER ECR-50239	RHM	DDJ

FSAR Figure 9.2-24	
SOUTH CAROLINA ELECTRIC & GAS COMPANY	
VIRGIL C. SUMNER NUCLEAR STATION	
PIPING SYSTEM FLOW DIAGRAM	
REACTOR MAKE-UP WATER SYSTEM	
DESIGN ENGINEERING	
DATE	DESIGNED
JMH	MGR
DATE	CHECKED
JMH	WHB
D-302-791	
NO.	DATE
27	10/15/09