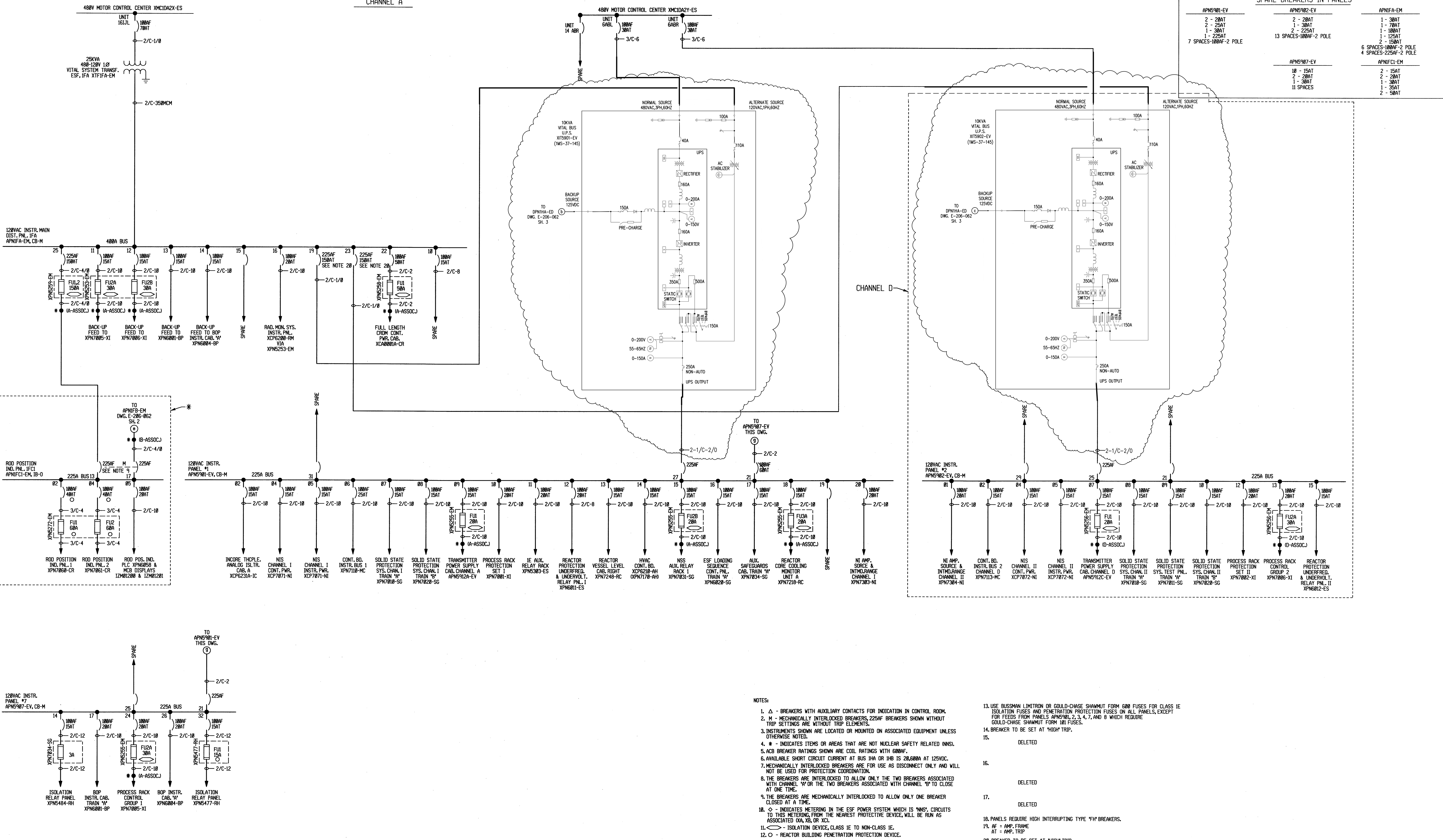


CHANNEL A

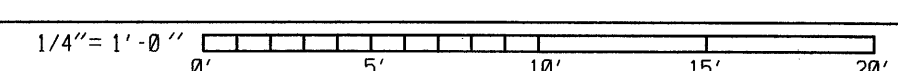
SPARE BREAKERS IN PANELS

APN5901-EV	APN5902-EV	APN1FA-EM
2 - 20AT	2 - 20AT	1 - 30AT
2 - 25AT	1 - 30AT	1 - 70AT
1 - 30AT	2 - 225AT	1 - 100AT
1 - 225AT	13 SPACES-100AF-2 POLE	1 - 125AT
7 SPACES-100AF-2 POLE		2 - 150AT
		6 SPACES-100AF-2 POLE
		4 SPACES-225AF-2 POLE
APN5907-EV	APN1FC1-EM	
10 - 15AT	2 - 15AT	
2 - 20AT	2 - 20AT	
1 - 30AT	1 - 30AT	
11 SPACES	1 - 35AT	
	2 - 50AT	



NOTES:

- △ - BREAKERS WITH AUXILIARY CONTACTS FOR INDICATION IN CONTROL ROOM.
- M - MECHANICALLY INTERLOCKED BREAKERS, 225AF BREAKERS SHOWN WITHOUT TRIP SETTINGS ARE WITHOUT TRIP ELEMENTS.
- INSTRUMENTS SHOWN ARE LOCATED OR MOUNTED ON ASSOCIATED EQUIPMENT UNLESS OTHERWISE NOTED.
- * - INDICATES ITEMS OR AREAS THAT ARE NOT NUCLEAR SAFETY RELATED (NNS).
- ACB BREAKER RATINGS SHOWN ARE COIL RATINGS WITH 600AF.
- AVAILABLE SHORT CIRCUIT CURRENT AT BUS 1A OR 1B IS 20,600A AT 125VDC.
- MECHANICALLY INTERLOCKED BREAKERS ARE FOR USE AS DISCONNECT ONLY AND WILL NOT BE USED FOR PROTECTION COORDINATION.
- THE BREAKERS ARE INTERLOCKED TO ALLOW ONLY THE TWO BREAKERS ASSOCIATED WITH CHANNEL 'A' OR THE TWO BREAKERS ASSOCIATED WITH CHANNEL 'B' TO CLOSE AT ONE TIME.
- THE BREAKERS ARE MECHANICALLY INTERLOCKED TO ALLOW ONLY ONE BREAKER CLOSED AT A TIME.
- - INDICATES METERING IN THE ESF POWER SYSTEM WHICH IS 'NNS'. CIRCUITS TO THIS METERING FROM THE NEAREST PROTECTIVE DEVICE, WILL BE RUN AS ASSOCIATED 0A, XB, OR XCL.
- - ISOLATION DEVICE, CLASS IE TO NON-CLASS IE.
- - REACTOR BUILDING PENETRATION PROTECTION DEVICE.
- USE BUSMAN LIMTRON OR GOULD-CHASE SHAWMUT FORM 600 FUSES FOR CLASS IE ISOLATION FUSES AND PENETRATION PROTECTION FUSES ON ALL PANELS, EXCEPT FOR FEEDS FROM PANELS APN5901, 2, 3, 4, 7, AND 8 WHICH REQUIRE GOULD-CHASE SHAWMUT FORM 101 FUSES.
- BREAKER TO BE SET AT 'HIGH TRIP'.
- DELETED
- DELETED
- DELETED
- PANELS REQUIRE HIGH INTERRUPTING TYPE 'H' BREAKERS.
- AF = AMP. FRAME
AT = AMP. TRIP
- BREAKER TO BE SET AT 'HIGH TRIP'.



FSAR Figure 8.3-1

THIS IS A NUCLEAR SAFETY RELATED DOCUMENT. NO DEVIATION SHALL BE INITIATED OR PERFORMED WITHOUT PRIOR DOCUMENTATION AND WRITTEN APPROVAL.

DRAWING LEGIBILITY CLASS 1
SCE&G CAD ENHANCED

41	1/23/10	GSK	REVISED PER ECR-50883	AJE	JR
40	5/5/09	MAB	REVISED PER ECR-50538	HJM	GSK
39	8/27/08	JMR	REVISED PER ECR-50886	MGR	RH
38	8/20/08	RAM	REVISED PER 0555-09-0152	MGR	JEC
37	8/20/08	JMH	REVISED PER MRF-23644	DVM	RCB

NO. DATE BY REVISION CDD. BY APPROVAL