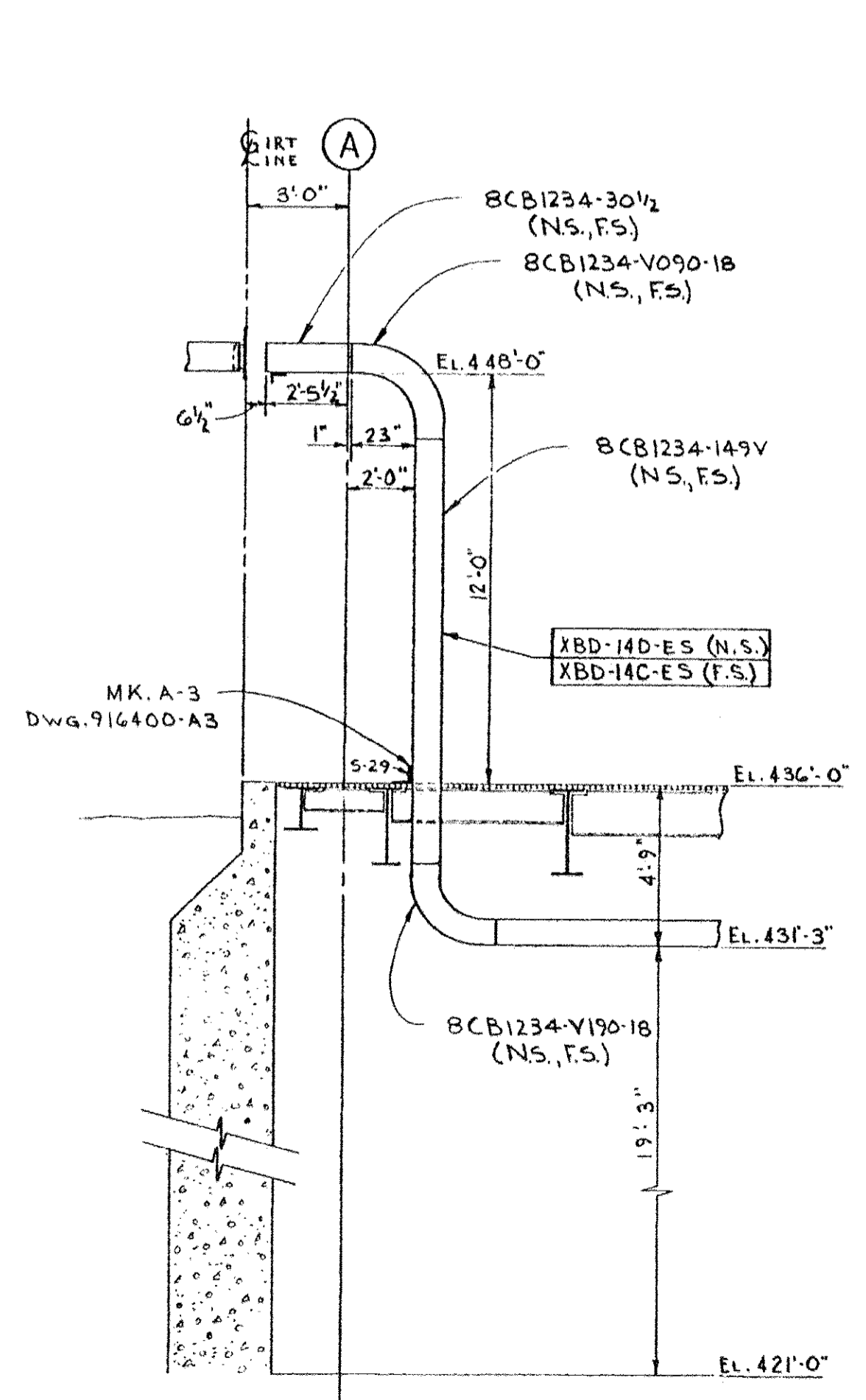
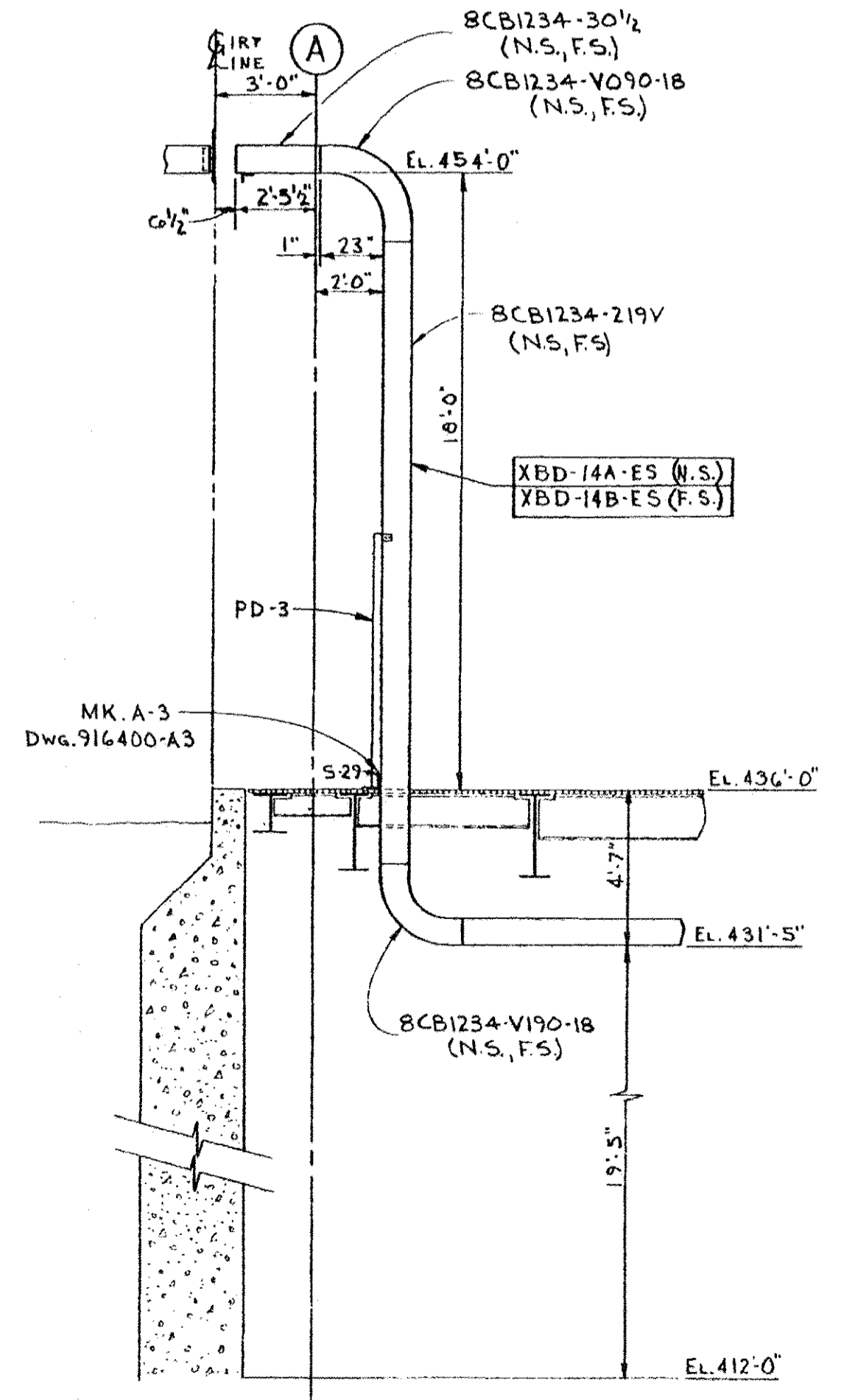


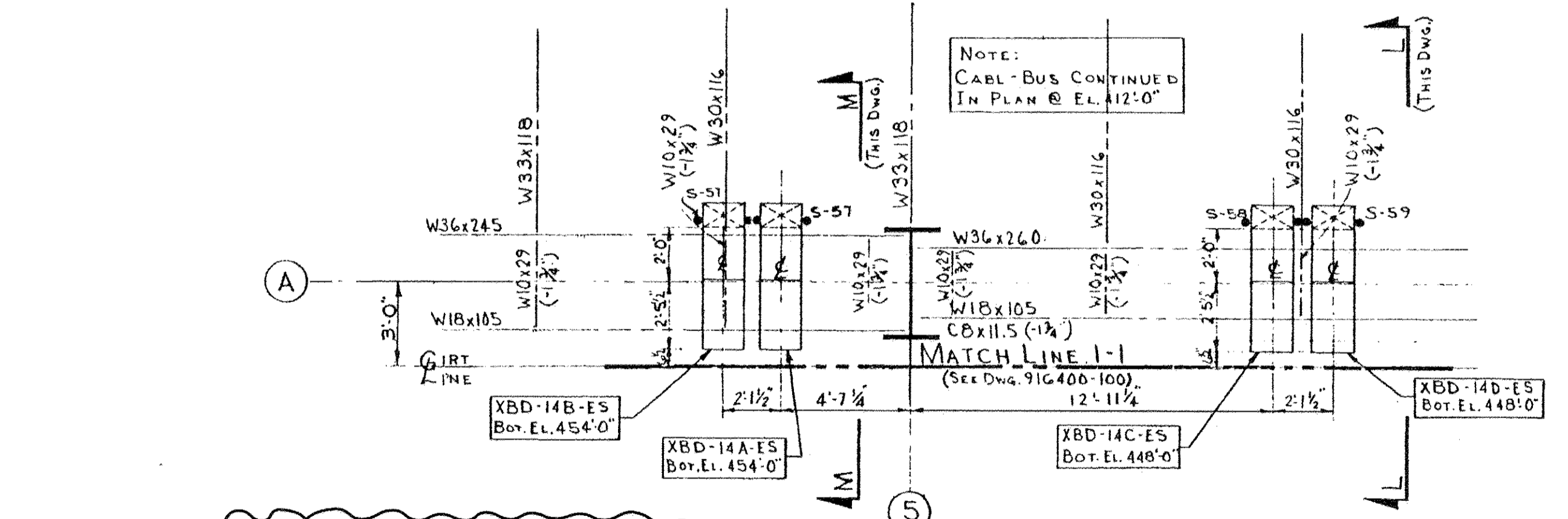
PLAN @ EL. 412'-0"
 T.O.S. @ 436'-0" (-1 1/2")
 UNLESS NOTED



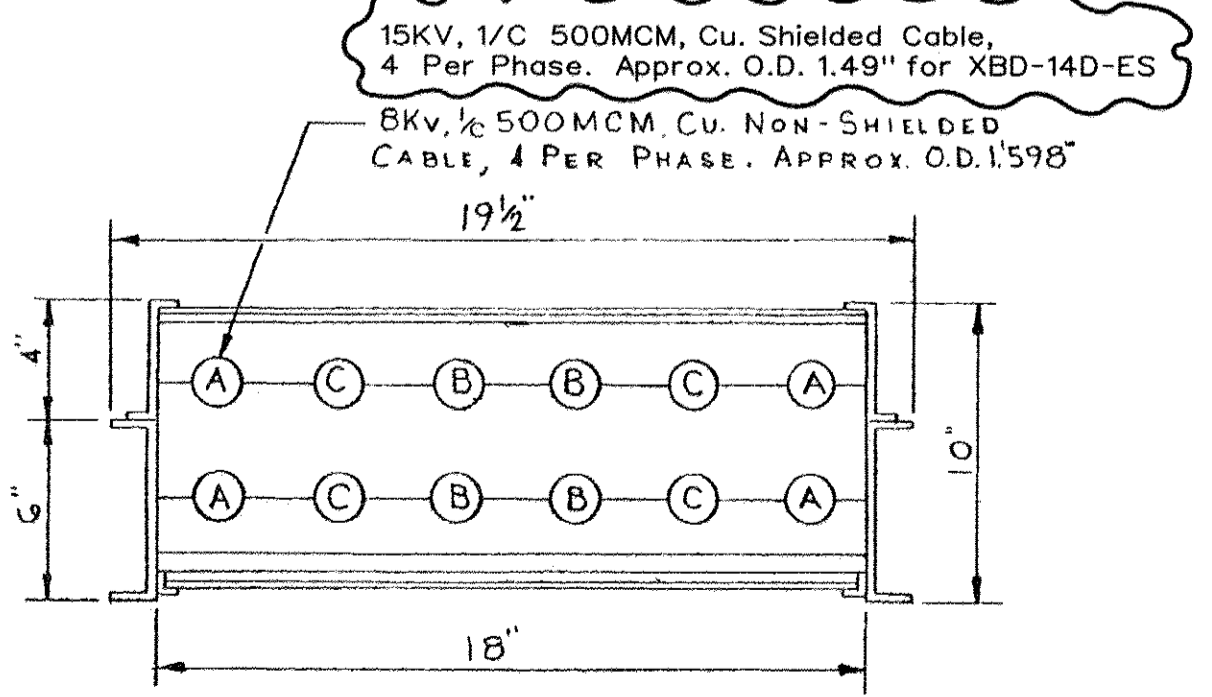
SECTION L-L



SECTION M-M



PARTIAL PLAN @ EL. 436'-0"
 T.O.S. @ 463'-0" (-12")
 UNLESS NOTED



2000A 8KV 3Ø-3W SYSTEM
 CATALOG NO. 8CB1234-
 INDOOR CABLE BUS CROSS SECTION
 APPROX. WT. PER FT. 44 LBS.

SOUTH CAROLINA ELECTRIC & GAS CO.
 VIRGIL C. SUMNER NUCLEAR STATION UNIT No. 1

APPROVED
 APPROVED AS NOTED
 RETURNED FOR CORRECTION

CHECKING IS ONLY FOR GENERAL DESIGN AND GENERAL DIMENSIONS SET FORTH IN CONTRACT DOCUMENTS AND DOES NOT RELIEVE CONTRACTOR FROM HIS OBLIGATION AS TO DETAIL WORKMANSHIP AND GUARANTEES.

GILBERT ASSOCIATES, INC.
 BY R.L. STRAUSSER
 B/M ITEM NO. ED-1 DATE 5/19/77

FSAR Figure 8.3-0e
 INDOOR CABLE BUS LAYOUT & SECTIONS
 PLAN VIEW ELEVATION 412'-0"
 COL. 4 THROUGH 8 & COL. A TO B
 VENDOR/DRAWING NO. HUSKY PRODUCTS INC. 916400-105

NO.	DATE	BY	REVISION	CHKD. BY	APPROVAL	SHT. NUMBER	REV
4	08/18/77	JTS	REVISED PER ECR-50919	AMG	JRC	DDJ	MGR
3	08/11/77	DDJ	REVISED PER ECR-70028	MGR	DDJ	DDJ	DDJ
DRAWING NUMBER						IMS-33-030	4