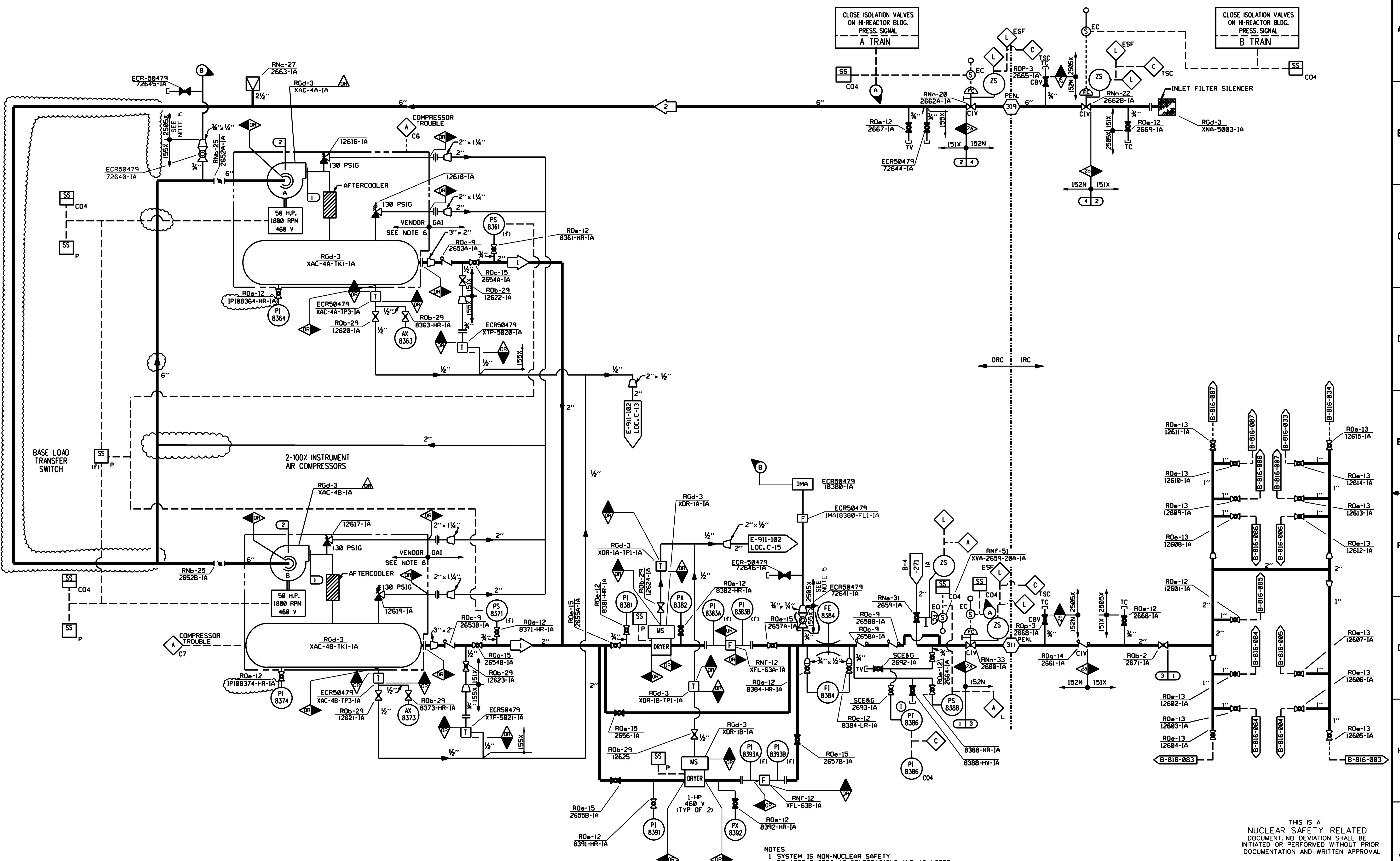


SYSTEM DATA				
SCFM	PSIG	°F	BY	REMARKS
1	150	110	125	PAR
2	150	0	AMB	PAR

SAFETY CLASS VERIFICATION		
ORIGINATED BY	P. A. RAINEY	8-21-74
REVIEWED BY	C. C. SEEH	8-21-74



MINIMUM HYDROSTATIC TEST TEMP. 60°F

PSIG	F	PSIG	F	DURATION	HYDRO	BY	CHK'D	REMARKS
1	125	120	130	225	< 1%	100	JN	PNEUMATIC
2	0	120	0	120	< 1%	—	JN	—
3	125	120	130	225	< 1%	160	JN	PNEUMATIC
4	0	120	66	283	< 1%	85	JN	PNEUMATIC
5	125	120	220	400	< 1%	—	WTW	PNEUMATIC

- NOTES
- SYSTEM IS NON-NUCLEAR SAFETY RELATED EXCEPT AT PENETRATIONS AND AS NOTED.
  - LINE SPEC-151X EXCEPT AS NOTED
  - ITEMS DESIGNATED WITH (F) ARE FURNISHED BY EQUIPMENT SUPPLIER
  - FOR COMPONENTS CLASSIFIED AS OR SEE TRP-28
  - TUBING WALL THICKNESS IS 0.035
  - SEE IMS-20-220 SH.2 FOR DETAILS OF AIR COMPRESSOR SKID
  - SEE DRAWING B-817-130 FOR PORTIONS OF SYSTEM SUBJECT TO DESIGN FLAG #5 CONDITIONS

**ESSENTIAL**

THIS IS A NUCLEAR SAFETY RELATED DOCUMENT. NO DEVIATION SHALL BE INITIATED OR PERFORMED WITHOUT PRIOR DOCUMENTATION AND WRITTEN APPROVAL

FSAR Figure 9.3-3	
SOUTH CAROLINA ELECTRIC & GAS COMPANY	
VIRGIL C. SUMNER NUCLEAR STATION	
PIPING SYSTEM FLOW DIAGRAM	
REACTOR BUILDING INSTRUMENT	
AIR SERVICES	
DESIGN ENGINEERING	
V. C. SUMNER NUCLEAR STATION JENKINSVILLE, S. C.	
MADE	CHECKED
VGS	PS
PJS	PJS
D-302-273	21
DRAWING NUMBER	SHT. NUMBER

