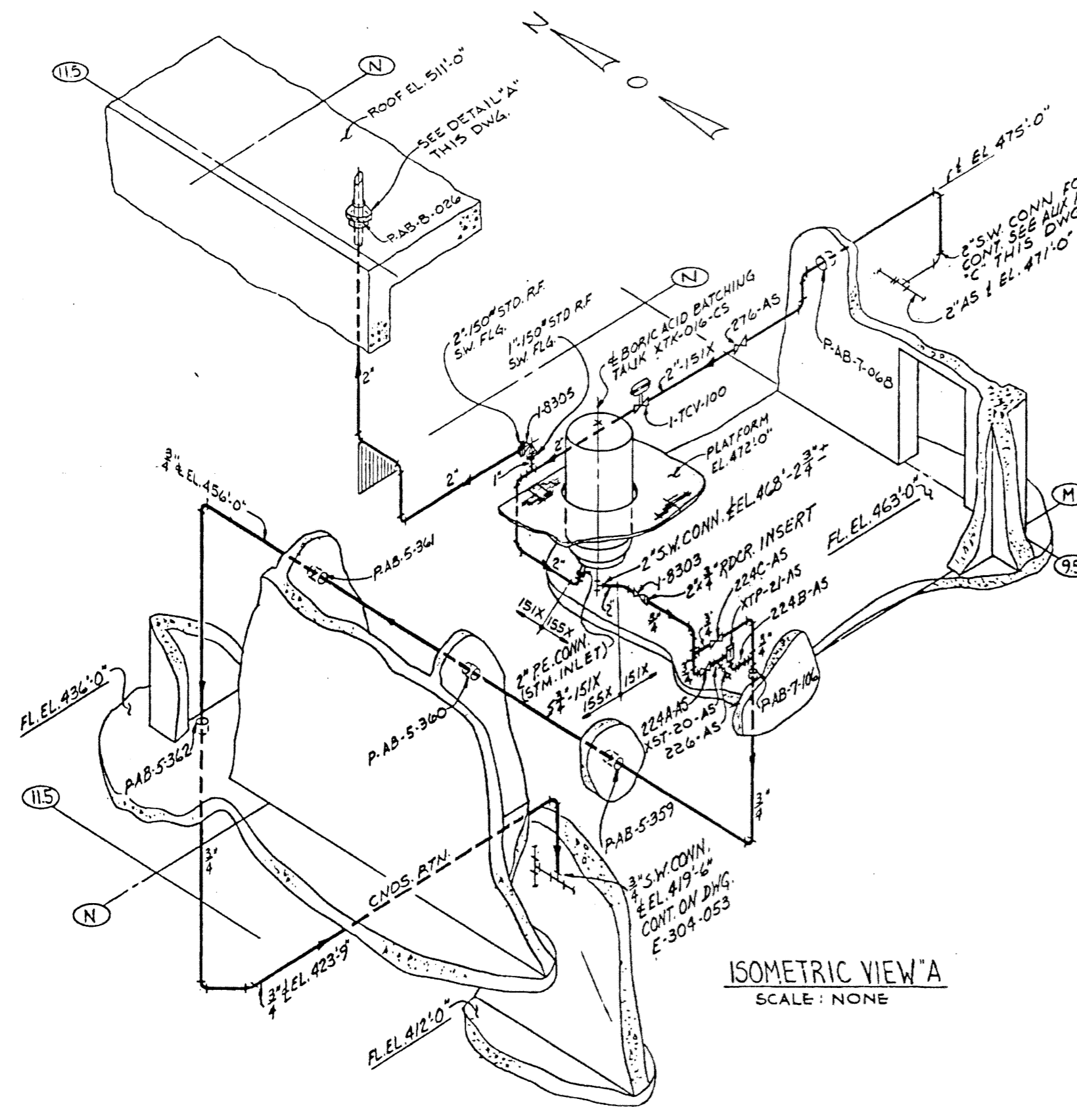
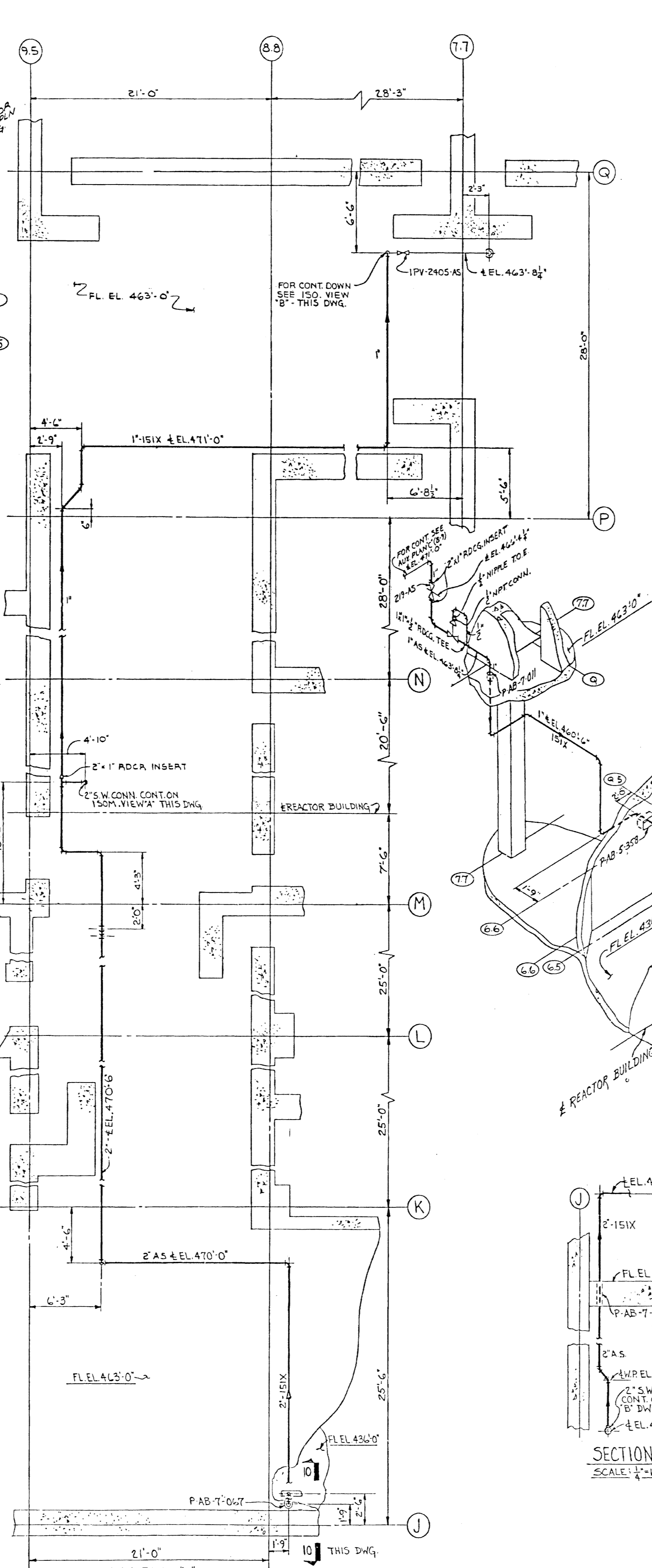


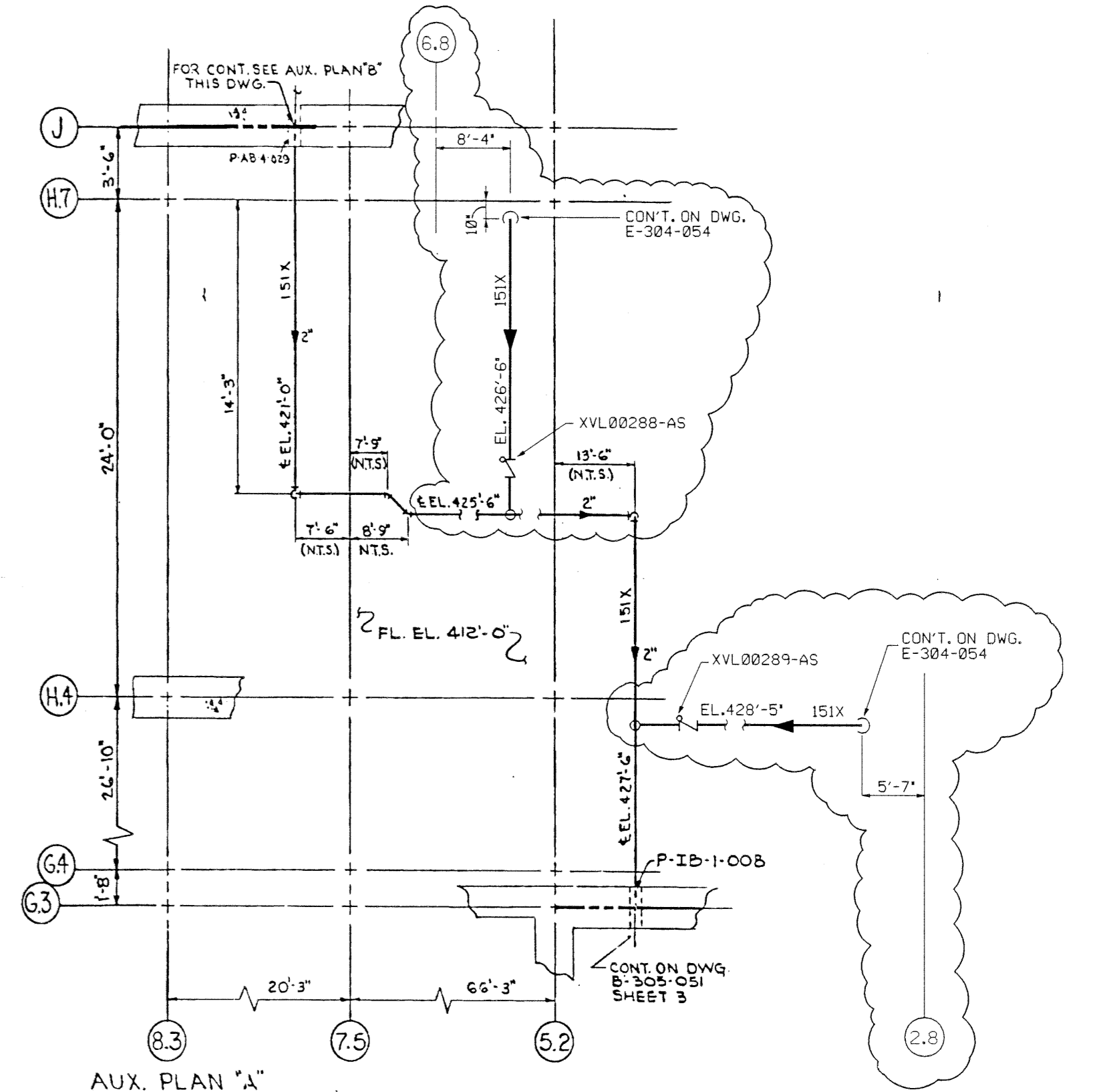
A
B
C
D
E
F
G
H
J
K



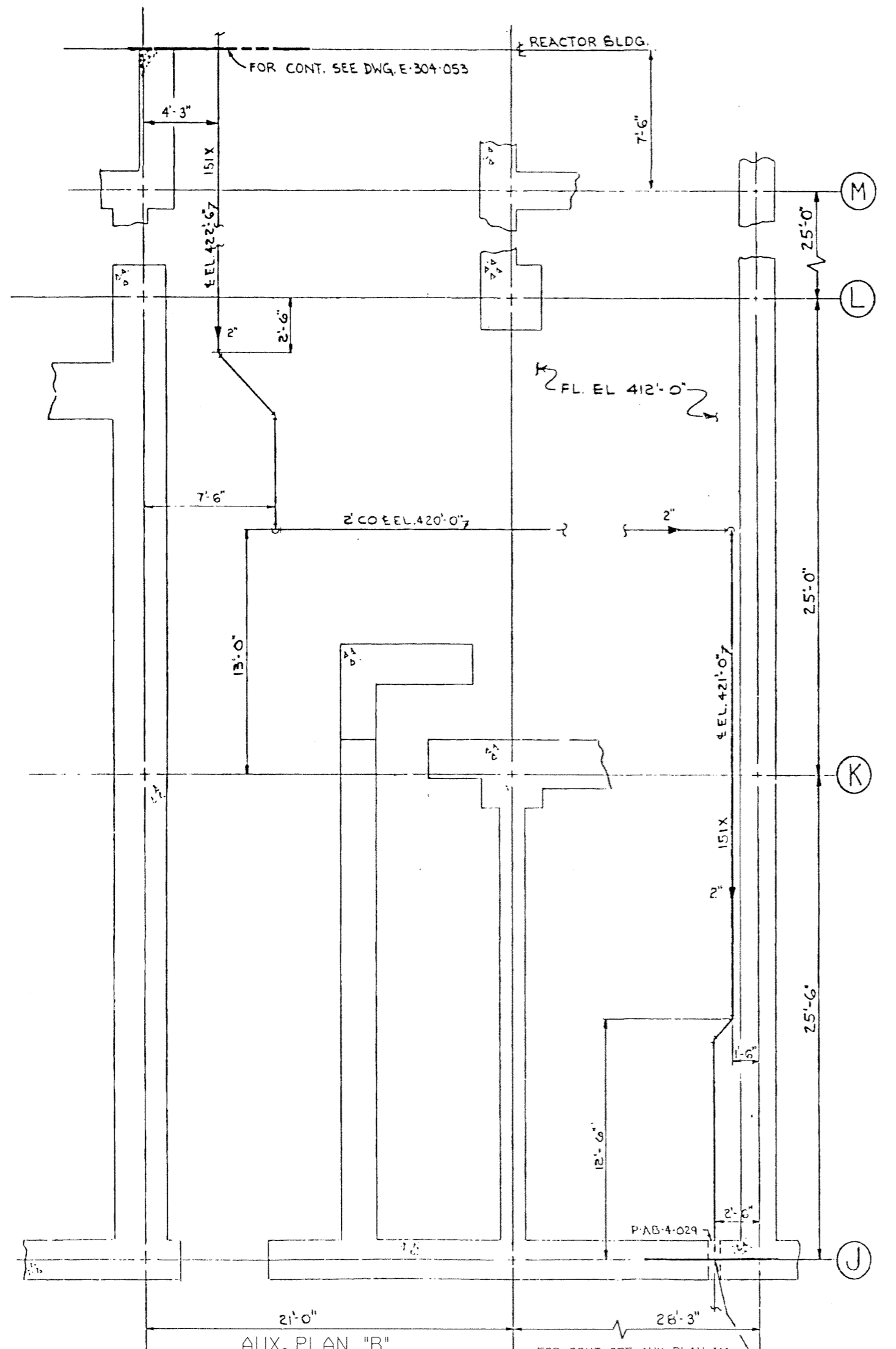
ISOMETRIC VIEW A
SCALE: NONE



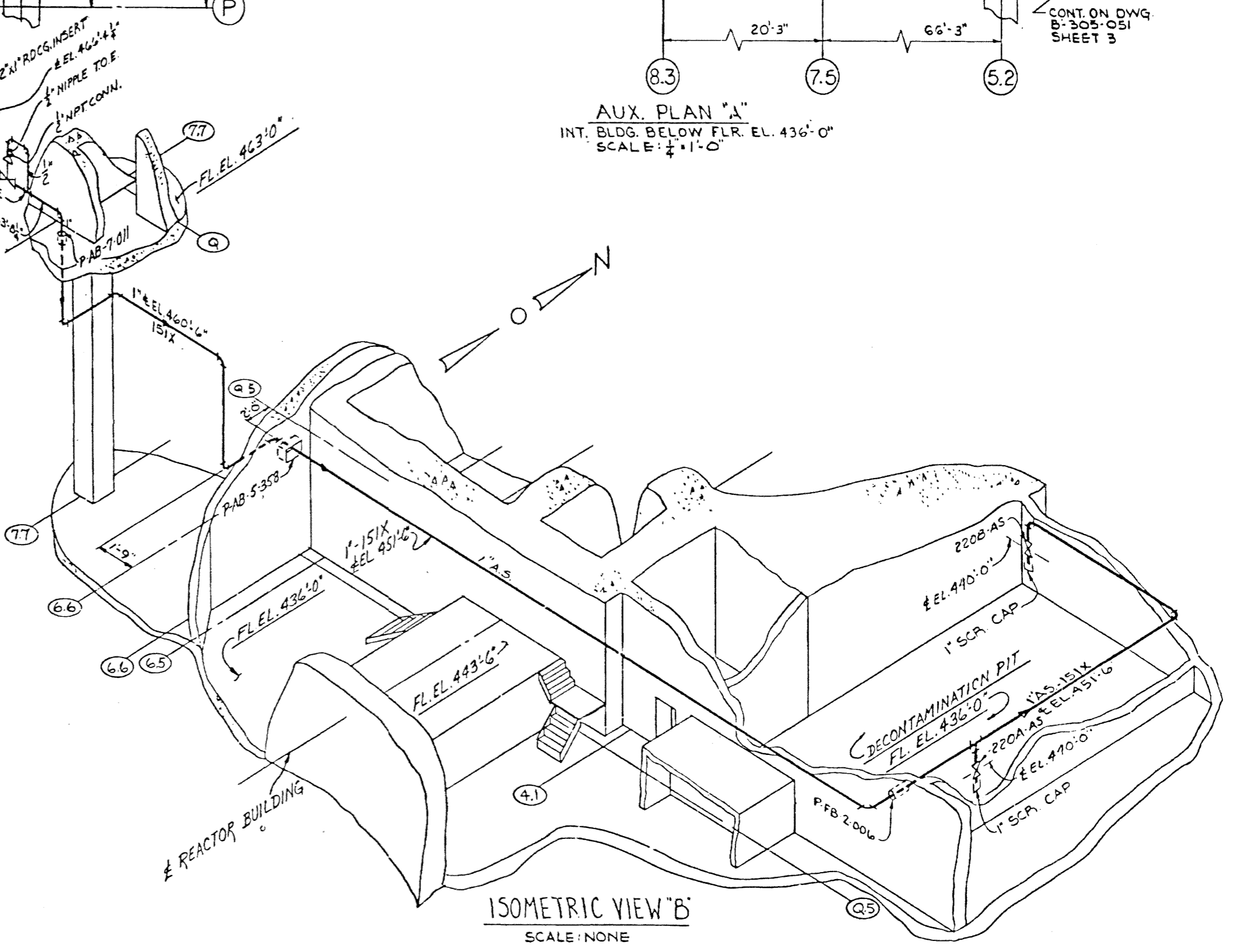
AUX. PLAN C
AUX. BLDG. ABOVE FL. EL. 463'-0"
SCALE: 1/4" = 1'-0"



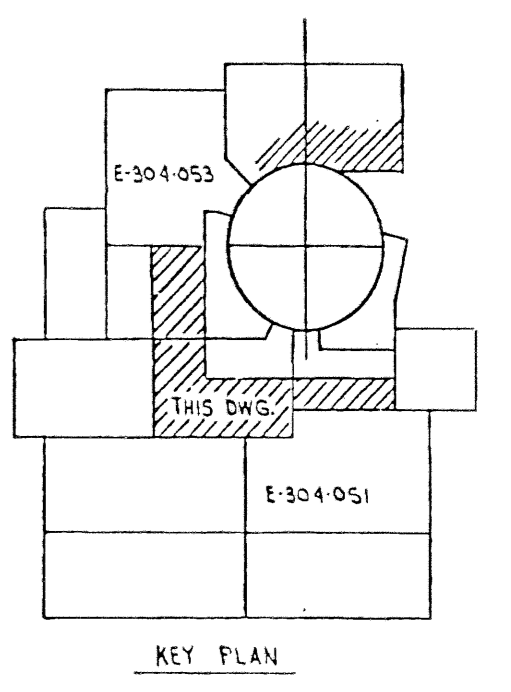
AUX. PLAN A
INT. BLDG. BELOW FL. EL. 436'-0"
SCALE: 1/4" = 1'-0"



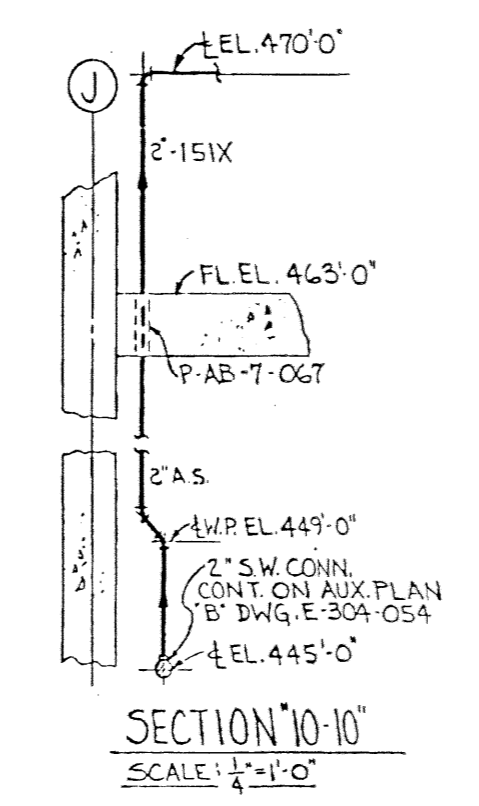
AUX. PLAN B
AUX. BLDG. SOUTH ABOVE FL. EL. 412'-0"
SCALE: 1/4" = 1'-0"



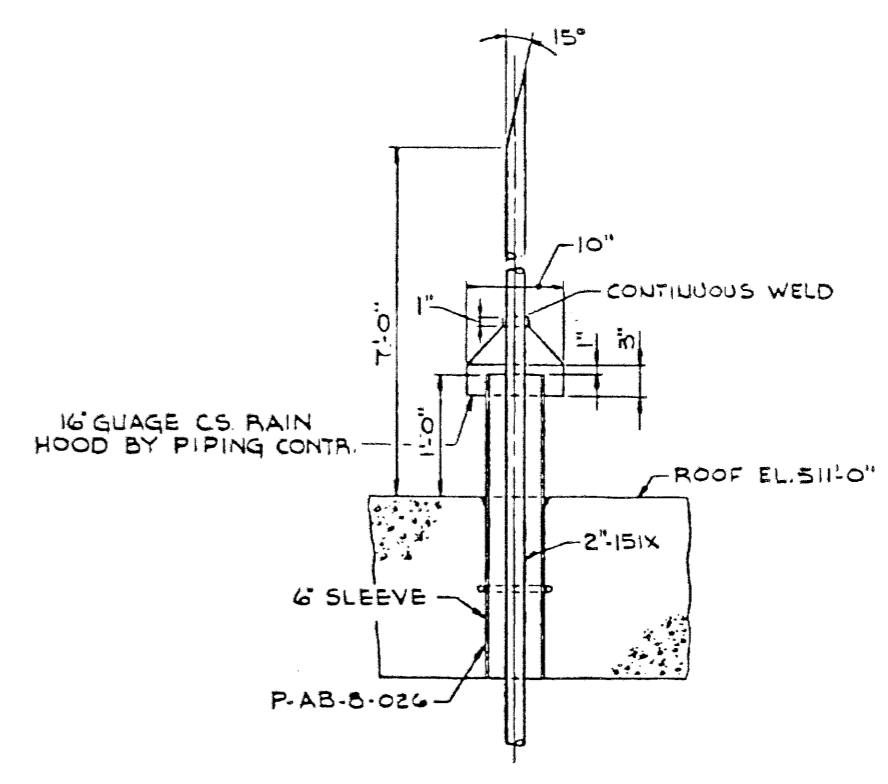
ISOMETRIC VIEW B
SCALE: NONE



KEY PLAN



SECTION 10-10
SCALE: 1/4" = 1'-0"



DETAIL A
SCALE: 1" = 1'-0"

NOTES:
1. FOR NOTES AND REFERENCES SEE DRAWING E-304-201.

DRAWING LEGIBILITY
CLASS 2
SCANS: CAD ENHANCED

FSAR Figure 7.6-3A			
SOUTH CAROLINA ELECTRIC & GAS COMPANY			
VIROLIC C. SUMNER NUCLEAR STATION			
PIPING SYSTEM			
AUXILIARY STEAM & CONDENSATE INTER. & AUX. BLDGS. PLANS & ISOMETRIC BELOW EL. 485'-0"			
DESIGN ENGINEERING			
A. W. HARRIS, INC. / S. C. SUMNER NUCLEAR STATION, IRONVILLE, S.C.			
DATE	DESIGNED	DATE	APPROVED
E-304-052		11	

NO.	DATE	BY	REVISION
10	10/97	JMR	REVISED PER MRF-22410
9	10/98	ACI	REVISED PER MRF-21513
8		MGR	CHK
7		JMG	DESIGN
6		JMG	DESIGN
5		JMG	DESIGN
4		JMG	DESIGN
3		JMG	DESIGN
2		JMG	DESIGN
1		JMG	DESIGN

