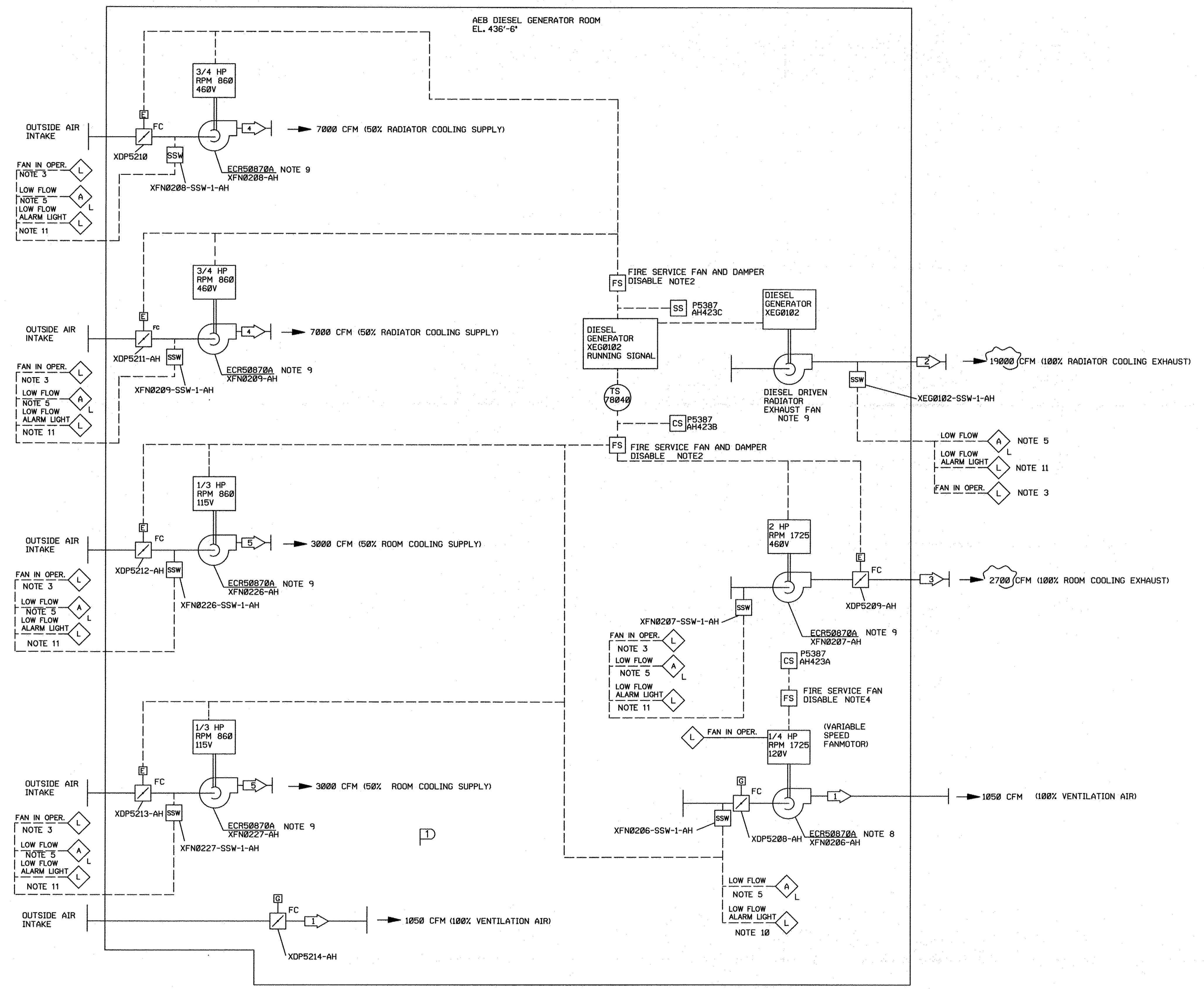


SYSTEM OPERATING DATA NOTE 7

FAN	AIR FLOW CFM	AIR TEMP. °F
1	1050	19/122
2	19000	85/200
3	2700	19/122
4	7000	19/95
5	3000	19/95

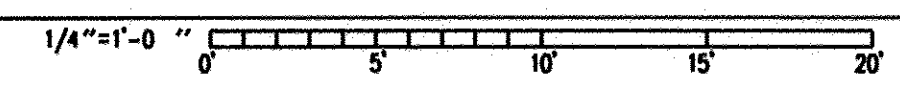
- FAN OPERATION NOTES:
- ALL FANS ARE BACKED BY EB/AEB DIESEL GENERATORS.
  - IF A FIRE IS DETECTED IN AEB DG ROOM ALL FANS ARE STOPPED AND AEB DG IS STOPPED.
  - FAN RUNNING STATE IS SHOWN ON XPN5387. FAN CONTROL RELAYS ARE LOCATED IN XPN5387.
  - FAN CONTACTORS ARE LOCATED IN XPN5607.
  - FAN LOW FLOW ALARMS ARE INDICATED ON XPN5387. GENERAL 'EB HVAC TROUBLE ALARM' IS INDICATED ON TEMP MONITORING SYSTEM AND ANNUNCIATED IN MAIN CONTROL ROOM. SEE 208-004 SH. AH422 PAGE C.
  - REFERENCE 208-004 SHEETS AH422 THROUGH AH423 FOR FAN CONTROL LOGIC AS WELL AS ALARMS.
  - REFERENCE DC07690-010 ISFSI ELECTRICAL BUILDING HVAC CALCULATION FOR ADDITIONAL INFORMATION.
  - VENTILATION FAN XFN0206 OPERATES AT ALL TIMES. IF A LOSS OF FLOW IS DETECTED AN ALARM IS GENERATED AND ADDITIONAL FANS ARE STARTED AUTOMATICALLY.
  - XFN0206 AND XFN0209 START AUTOMATICALLY WHEN XEG0130 IS STARTED. XFN0207, XFN0226 AND XFN0227 WILL START AUTOMATICALLY IF DG ROOM TEMPERATURE INCREASES ABOVE 80DEG F AND DG IS RUNNING.
  - LOW AEB DG ROOM VENTILATION AIR FLOW ALARM LIGHT INDICATED ON XPN5387.
  - COMMON LOW AEB DG COOLING FLOW ALARM LIGHT ON XPN5387
  - LOW AIRFLOW ALARMS HAVE A 20 SEC. ON DELAY TO PREVENT FALSE ALARMS WHEN THE FANS ARE STARTED.



SYSTEM DESIGN DATA NOTE 7

AREA	AIR FLOW CFM	AIR TEMP. °F	EMERGENCY AIR TEMP. °F
1	1050/21,050	19/122	19/122

\*EMERGENCY CONDITION EXISTS WHEN NORMAL POWER IS LOST AND DG IS PROVIDING POWER NOTE 1



ESSENTIAL

DRAWING CLASS LEGIBILITY 1

FSAR Figure 9.4-36

SOUTH CAROLINA ELECTRIC & GAS COMPANY  
 VIRGIL C. SUMNER NUCLEAR STATION  
 BUILDING SERVICE SYSTEM FLOW DIAGRAM  
 AEB DG2 ROOM HVAC

DESIGN ENGINEERING		CHECKED		APPROVAL	
1	4/28/15 JTS	REVISOR	MGR	RS	
0	2/3/15 JMR	ISSUED PER ECR-50870A	MGR	RS	
NO.	DATE	BY	REVISION	CHKD. BY/APPROVAL	REV
					1

NO.	DATE	BY	REVISION	CHKD. BY/APPROVAL	REV
1	4/28/15	JTS	REVISOR	MGR	RS
0	2/3/15	JMR	ISSUED PER ECR-50870A	MGR	RS

D-912-193