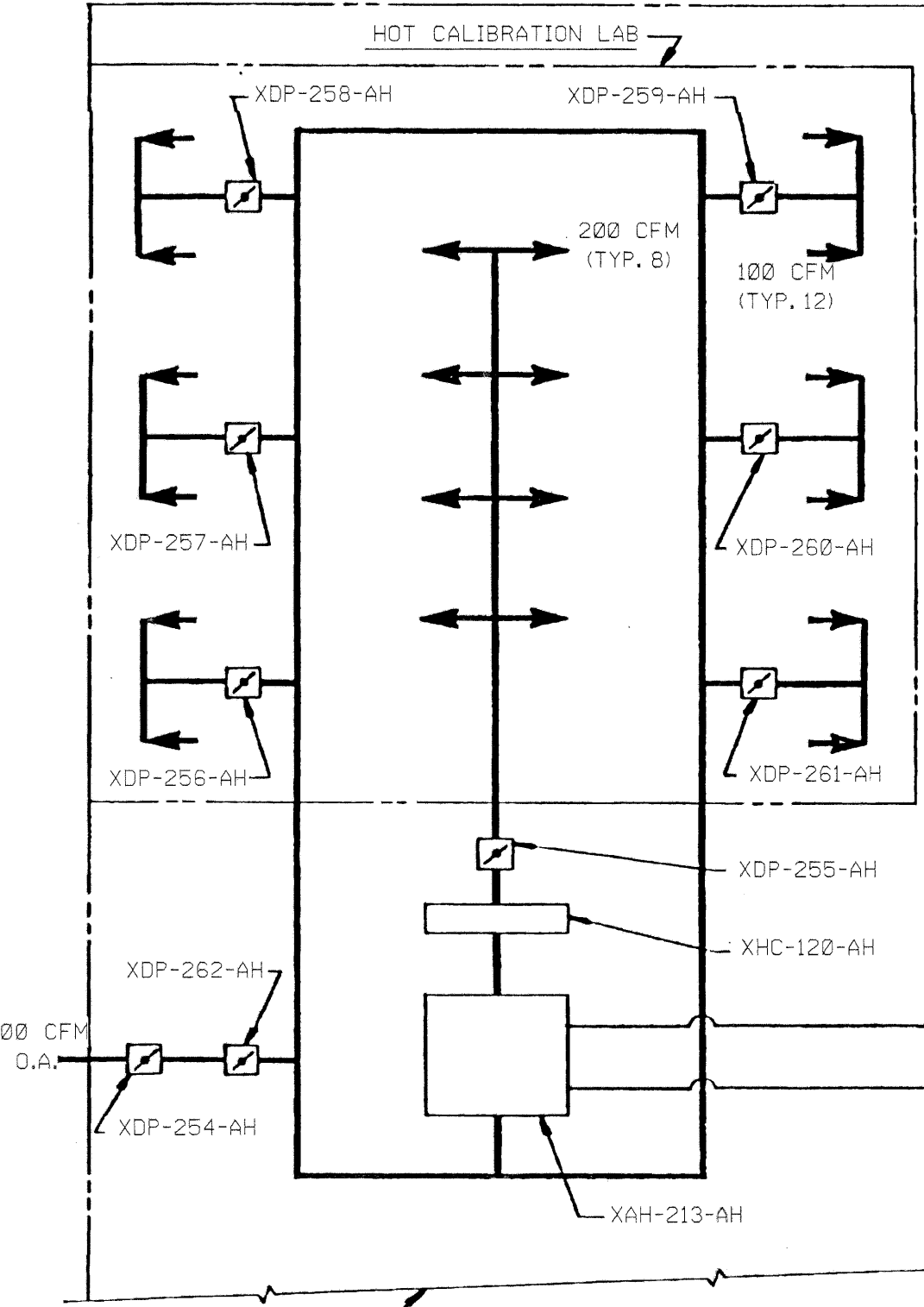
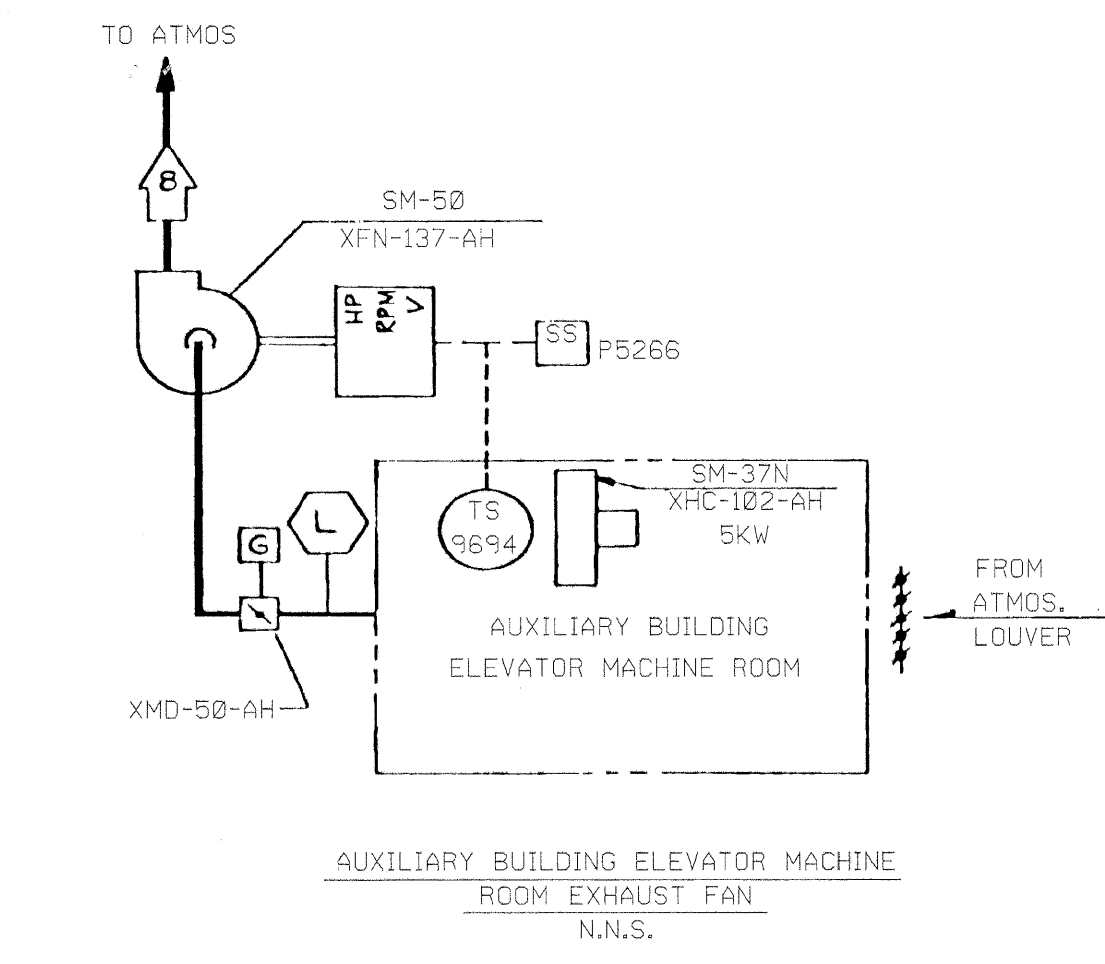


SYSTEM OPERATING DATA

NO.	AIR FLOW CFM	AIR TEMP °F
1	29,238	65 - 95
2	39,375	65 - 95
3	45,680	65 - 95
4	156,988	65 - 95
5	42,695	65 - 95
6	16,000	65 - 95
7	238,188	65 - 95
8	2,900	65 - 95
9	4,000	65 - 95
10	52,200	19 - 104
11	9,000	19 - 104



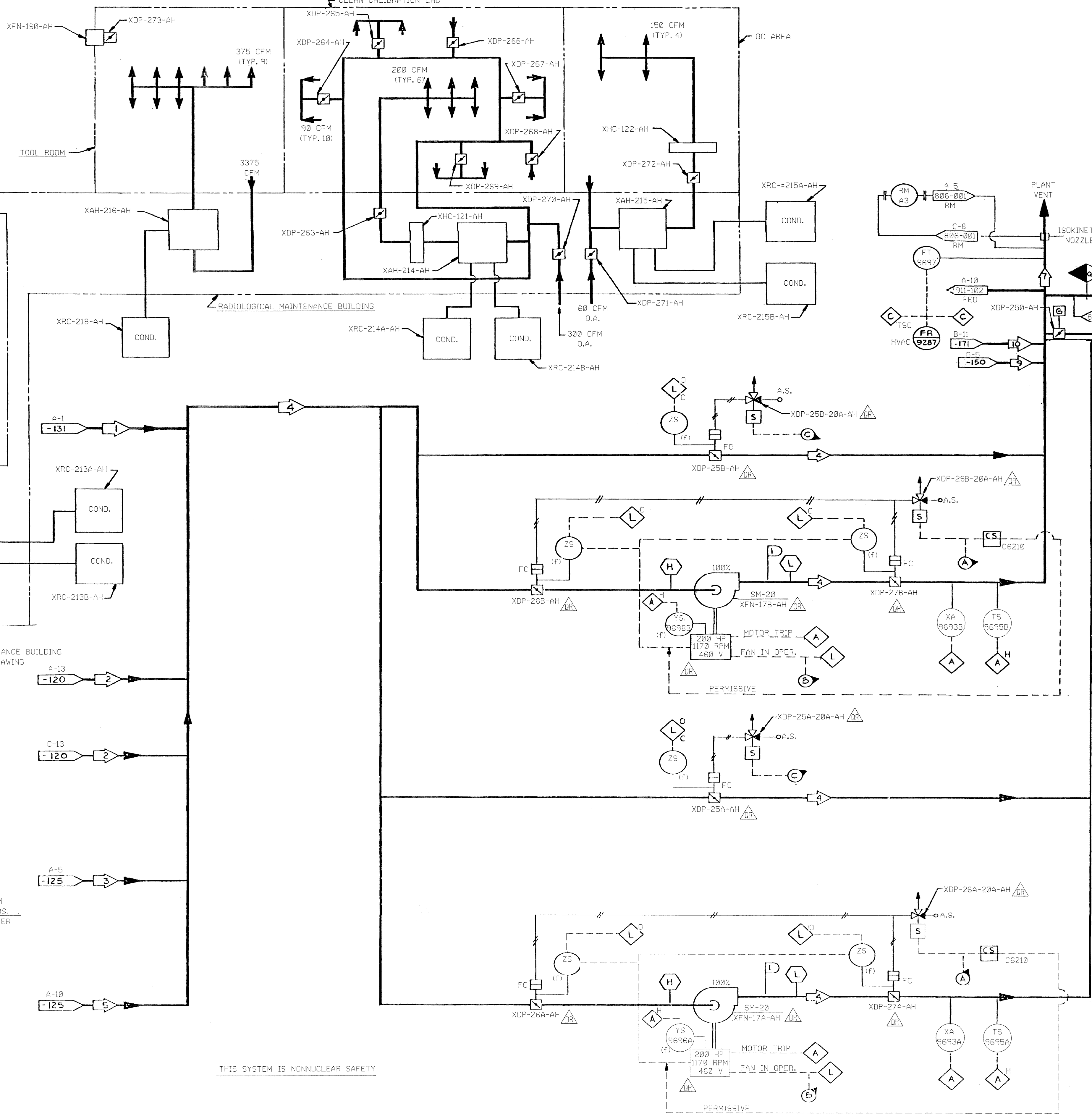
FOR CONTINUATION OF RAD. MAINTENANCE BUILDING SEE AREA B-2 OF THIS DRAWING



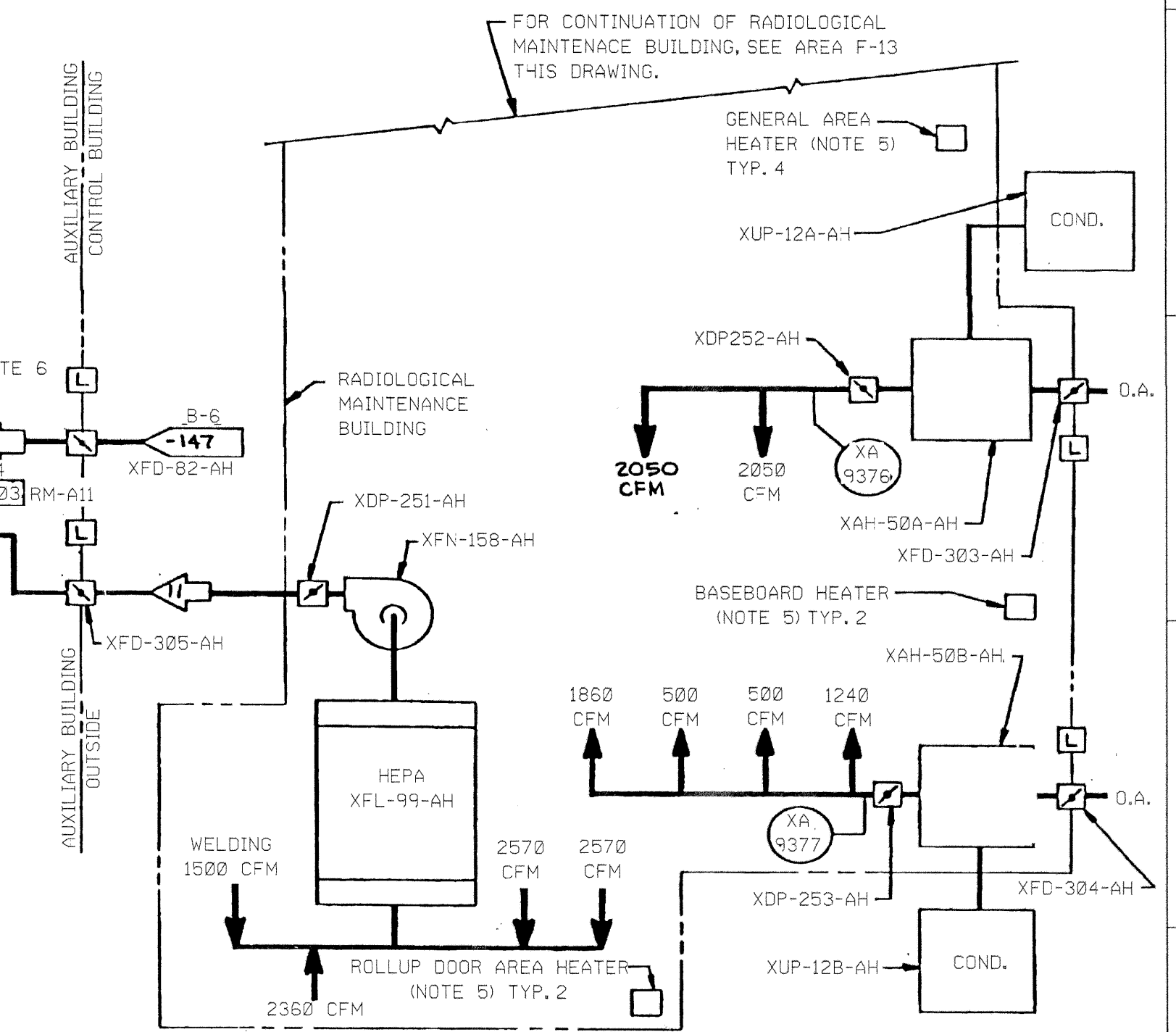
AUXILIARY BUILDING ELEVATOR MACHINE ROOM EXHAUST FAN N.N.S.

SYSTEM DESIGN DATE

NO.	AIR FLOW CFM	AIR TEMP °F
1	153,043	65 - 95



THIS SYSTEM IS NONNUCLEAR SAFETY



- (2 PLACES) A XFN-24A-AH OR XFN-24B-AH MUST BE RUNNING TO ALLOW XFN-17A-AH OR XFN-17B-AH TO RUN.
- (2 PLACES) B XFN-17A-AH OR XFN-17B-AH MUST BE RUNNING TO ALLOW XFN-15-AH TO RUN.
- (2 PLACES) C IF NEITHER XFN-17A-AH NOR XFN-17B-AH IS RUNNING BOTH XDP-25A-AH AND XDP-25B-AH OPEN

TAG NUMBER	DESCRIPTION
XHC-123-AH	COUNT ROOM BASEBOARD HEATER
XHC-124-AH	COUNT ROOM BASEBOARD HEATER
XHC-125-AH	ROLLUP DOOR AREA HEATER
XHC-126-AH	ROLLUP DOOR AREA HEATER
XHC-127-AH	GENERAL AREA HEATER
XHC-128-AH	GENERAL AREA HEATER
XHC-129-AH	GENERAL AREA HEATER
XHC-130-AH	GENERAL AREA HEATER

- NOTE:
- EXCEPT WHERE NOTED OTHERWISE ALL ALARM AND INDICATING LIGHTS ARE LOCATED AT THE HVAC CONTROL BOARD (XCP-6210) IN THE MAIN CONTROL ROOM.
 - (F) INDICATES INSTR. IS FURNISHED WITH EQUIPMENT.
 - FOR SAFETY CLASSIFICATION OF INSTRUMENTS, SEE INSTRUMENT LIST.
 - REFER TO IMS-67-12, IMS-67-13, IMS-67-24-1 AND IMS-67-26-1 FOR PHYSICAL LAYOUT OF DUCTWORK.
 - REFER TO HEATER SCHEDULE LISTED ABOVE FOR HEATER TAG NUMBER.
 - ALL DUCTWORK IDENTIFIED AS OR TO BE PER DRP-4.
 - ALL EQUIPMENT IDENTIFIED AS OR TO BE PER TRP-31



* QUALITY RELATED-FABRICATION, ERECTION, AND INSPECTION PER SCE&G GRP FOR HVAC DUCTS AND SUPPORTS.

FSAR Figure 9.4-9 ASSOCIATED WITH FSAR Figure 12.2-2

DRAWING LEGIBILITY CLASS 1 SCE&G CAD ENHANCED

NO.	DATE	BY	REVISION	CHKD. BY	APPROVAL
23	9/17/02	DDJ	REVISED PER ECR-70249	MGR	DKW
22	6/23/99	DDJ	REVISED PER CGSS-99-0204	MGR	FSM
21	4/9/99	DDJ	REVISED PER CGSS-99-0204	RHM	FSM
20	9/1/93	JMH	REVISED PER CGSS-93-0328	DVW	GAA

SOUTH CAROLINA ELECTRIC & GAS COMPANY
VIRGIL C. SUMNER NUCLEAR STATION

BUILDING SERVICE - SYSTEM FLOW DIAGRAM
AUX BLDG - MAIN EXHAUST SYSTEM
DESIGN ENGINEERING

JMH DVW GAA

D-912-130

