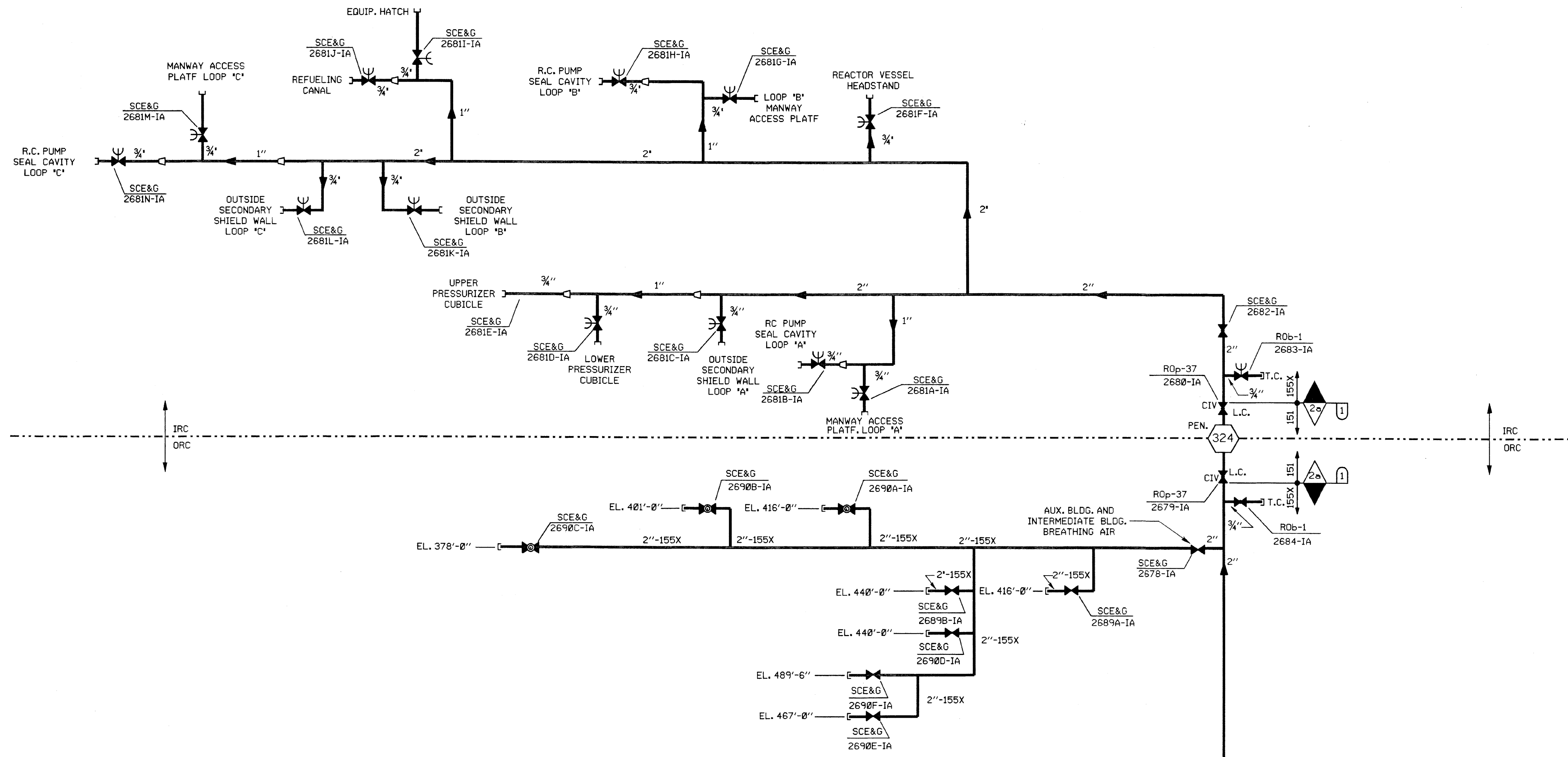


SYSTEM DATA					
#	SCFM	PSIG	°F	BY	REMARKS
1	636	120	100	JN	

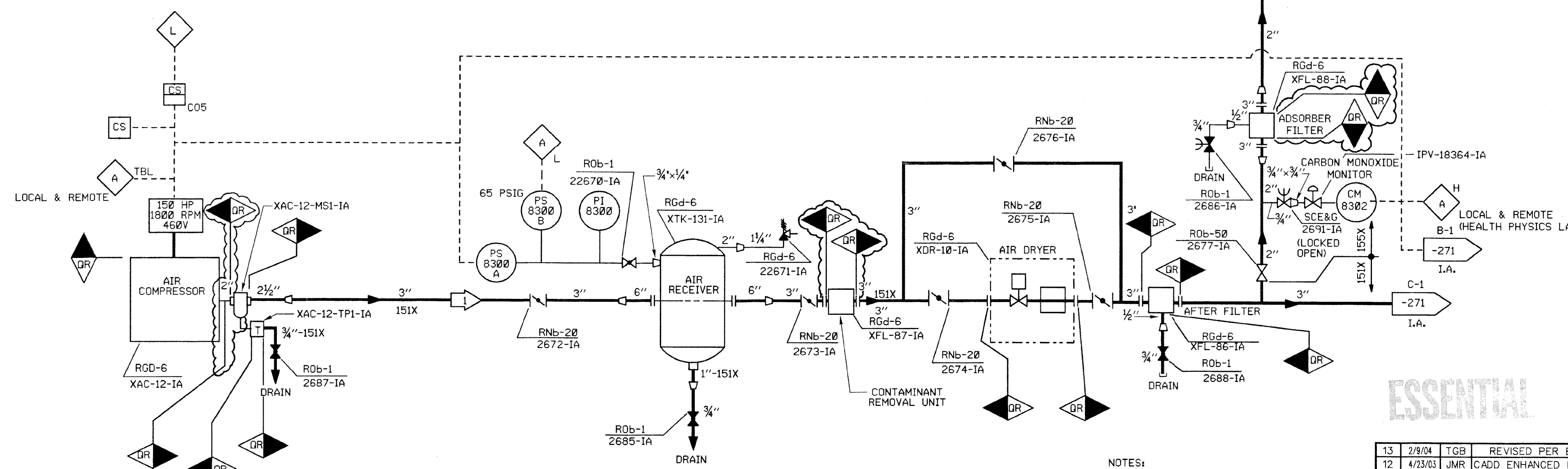
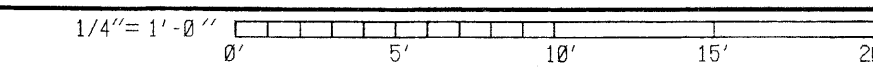


SYSTEM SUFFIX	FIRST NO.	LAST NO.
IA	22670	22671
IA	2672	2691

VALVE NUMBERING

#	PSIG	°F	DURA.	HY-DRG	BY	CHKD	REMARKS	
1	120	110	135	150	<1%	170	JN	PNEUM. TEST
	NORMAL		UPSET					

DESIGN DATA



NOTES:  
1. COMPONENTS CLASSIFIED AS QR PER TRP 28

DRAWING LEGIBILITY CLASS 1  
SCE&G CAD ENHANCED

THIS IS A NUCLEAR SAFETY RELATED DOCUMENT. NO DEVIATION SHALL BE INITIATED OR PERFORMED WITHOUT PRIOR DOCUMENTATION AND WRITTEN APPROVAL.

**FSAR Figure 9.3-3A**  
SOUTH CAROLINA ELECTRIC & GAS COMPANY  
VIRGIL C. SUMNER NUCLEAR STATION

PIPING		SYSTEM FLOW DIAGRAM	
INSTRUMENT AIR BACKUP			
DESIGN ENGINEERING			
1. MADE	2. CHECKED	3. LE APPROVAL	
SRM	MGR	RLJ	
D-302-274		13	
DRAWING NUMBER		SHT. NUMBER	

NO.	DATE	BY	REVISION	CHKD. BY	APPROVAL
13	2/9/04	TGB	REVISED PER ECR-70483	MGR	AME
12	4/23/03	JMR	CADD ENHANCED PER ECR-50239	MGR	DDJ
11	10/11/98	JMR	REVISED PER CGSS-99-0501	MGR	DKW
10	01/08/98	JTS	REVISED PER CGSS-97-0569	LEK	MGR
9	09/27/95	AVN	REVISED PER MRF-22640	MGR	JEW
8	11/15/94	JHM	REVISED BORDER PER CGSS-94-1680	RHM	MGR
7	10-13-93	SRM	REVISED PER MRF-21475	MGR	RLJ