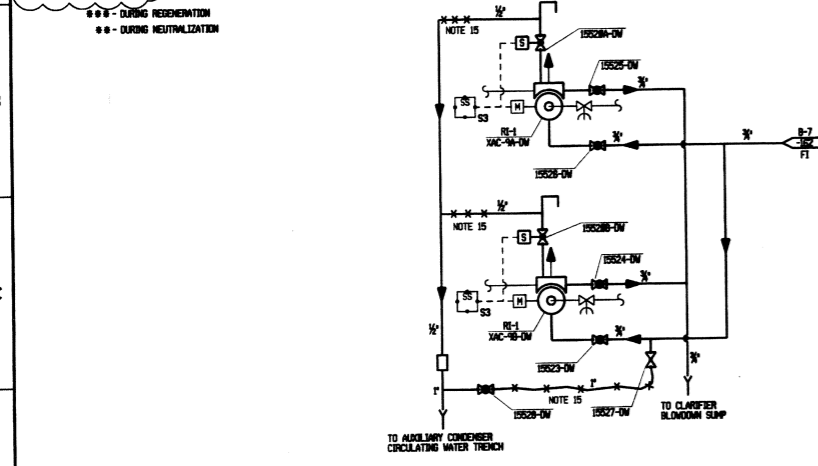
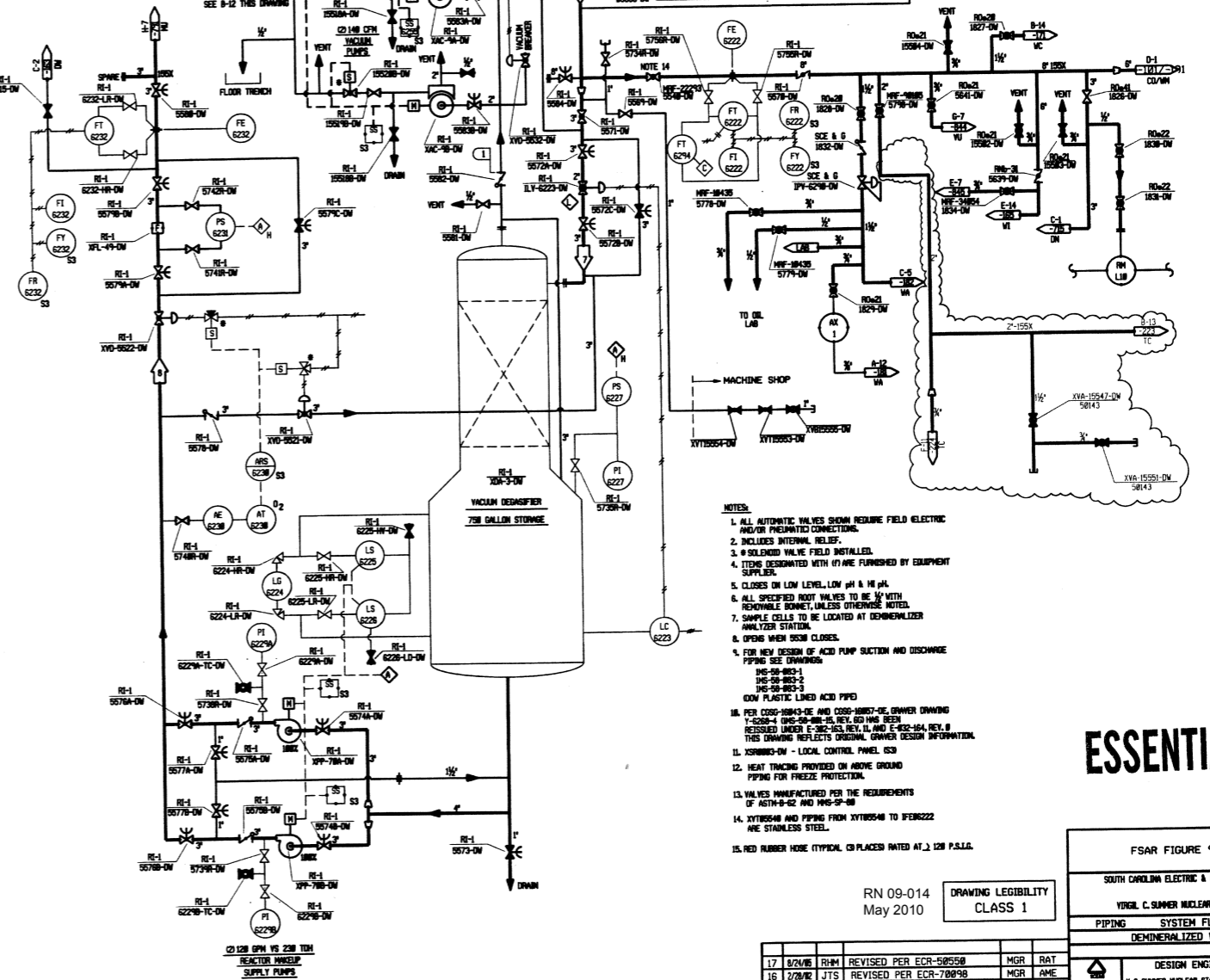
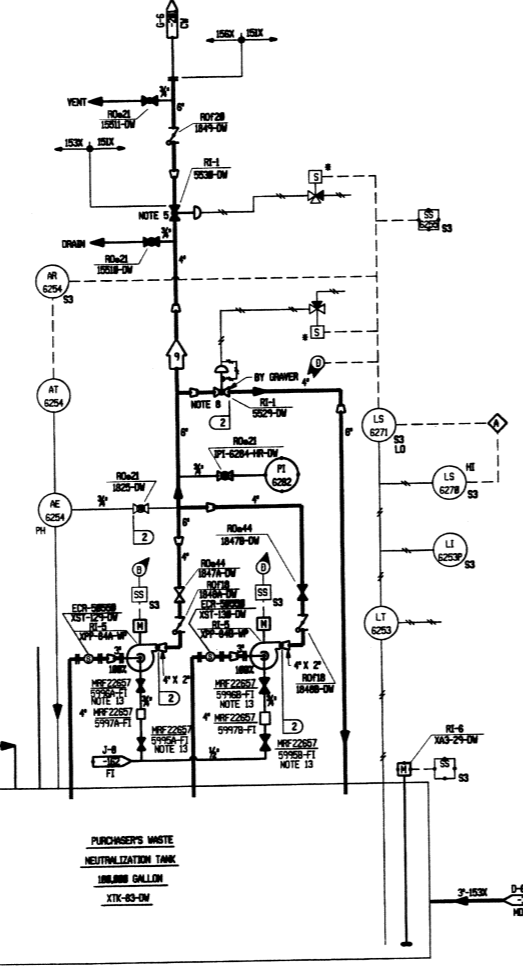
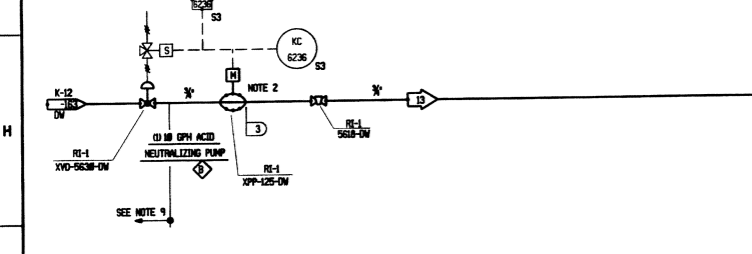
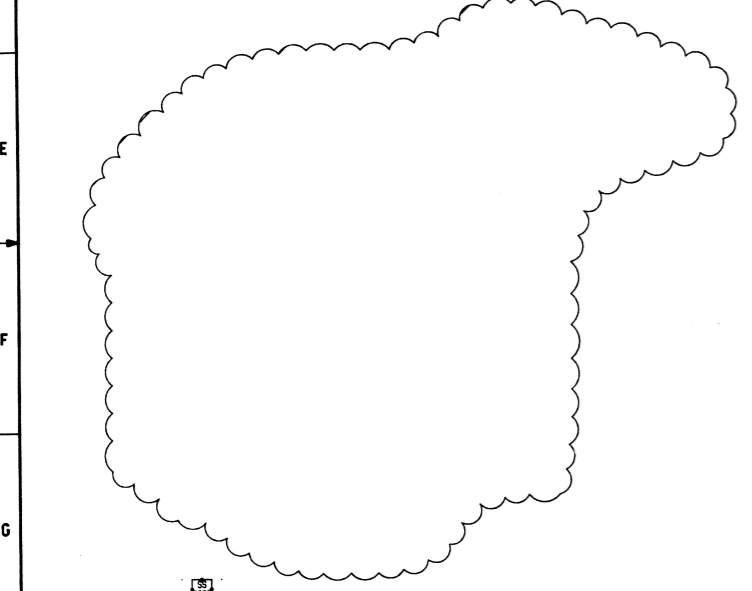


SYSTEM DATA					
#	QPN	PSG	°F	BY	REMARKS
3	750	30	90	AM	
4	1000	100	90	AM	
5	447	100	90	GR	
7	150	100	90	AM	
8	120	100	90	AM	
9	500	67	90	AM	
13	10	10	75	GR	OPN

\*\*\* - DURING REDESIGNATION  
 \*\* - DURING NEUTRALIZATION



VACUUM DEGASIFIER  
 VACUUM PUMPS  
 COOLING WATER



- NOTES:
- ALL AUTOMATIC VALVES SHOWN REQUIRE FIELD ELECTRIC AND/OR PNEUMATIC CONNECTION.
  - INCLUDES INTERNAL RELIEF.
  - SOLVED VALVE FIELD INSTALLED.
  - ITEMS DESIGNATED WITH (H) ARE FURNISHED BY EQUIPMENT SUPPLIER.
  - CLOSURE ON LOW LEVEL LOW pH & HI pH.
  - ALL SPECIFIED ROOT VALVES TO BE 1/2" WITH REMOVABLE BONNET, UNLESS OTHERWISE NOTED.
  - SAMPLE CELLS TO BE LOCATED AT DEMINERALIZER ANALYZER STATION.
  - OPENS WHEN BECOMES CLOSED.
  - FOR NEW DESIGN OF ACID PUMP SUCTION AND DISCHARGE PIPING SEE DRAWING:
    - INS-00-003-1
    - INS-00-003-2
    - INS-00-003-3
  - 100% PLASTIC LINED ACID PIPED.
  - PER 2000-10043-DE AND 2000-1007-DE, GRANGER DRAWING T-5289-4 (INS-00-000-10, REV. 03) HAS BEEN REDESIGNED UNDER E-302-001, REV. 11 AND E-302-001, REV. 10. THIS DRAWING REFLECTS ORIGINAL GRANGER DESIGN INFORMATION.
  - XV50003-DW - LOCAL CONTROL PANEL ISS.
  - HEAT TRACING PROVIDED ON ABOVE GROUND PIPING FOR FREEZE PROTECTION.
  - VALVES MANUFACTURED PER THE REQUIREMENTS OF ASTM-A52 AND ANSI-SF-08.
  - XV70004 AND PIPING FROM XV70004 TO IFR222 ARE STAINLESS STEEL.
  - RED RUBBER HOSE (TYPICAL) OR PLACES RATED AT 1/2 IN. P.S.I.G.

**ESSENTIAL**

RN 09-014  
 May 2010

DRAWING LEGIBILITY  
 CLASS 1

FSAR FIGURE 9.2-9b	
SOUTH CAROLINA ELECTRIC & GAS COMPANY	
VINCE C. SUMNER NUCLEAR STATION	
PIPING SYSTEM FLOW DIAGRAM	
DEMINERALIZED WATER	
DESIGN ENGINEERING	
AVN	MGR
DJG	
D-302-164	
20	

HYDRO TEST TEMP. - AMBIENT					
#	QPN	PSG	°F	BY	REMARKS
3	750	30	90	AM	
4	1000	100	90	AM	
5	447	100	90	GR	
7	150	100	90	AM	
8	120	100	90	AM	
9	500	67	90	AM	
13	10	10	75	GR	OPN

