

CONTROL VALVE DATA TABLE

VALVE NO.	CRACKING POINT (CP)			INTERCEPT POINT (IP)			OPEN (OE)			VALVE DIA. (INCHES)
	E _L (VOLTS)	E _F (VOLTS)	SL (INCHES)	E _L (VOLTS)	E _F (VOLTS)	SL (INCHES)	E _L (VOLTS)	E _F (VOLTS)	SL (INCHES)	
1	0.000	5.000	0.089	3.890	2.527	2.315 WHEN *4 IS UP 0.089	4.344	0.000	4.589	18
2	0.000	5.000	0.089	3.890	2.559	2.286 WHEN *4 IS UP 0.089	4.345	0.000	4.589	18
3	0.000	5.000	0.089	3.890	2.572	2.275 WHEN *4 IS UP 0.089	4.345	0.000	4.589	18
4	3.890	5.000	0.089	---	---	---	5.000	0.000	4.589	18

FULL ARC OPERATOR

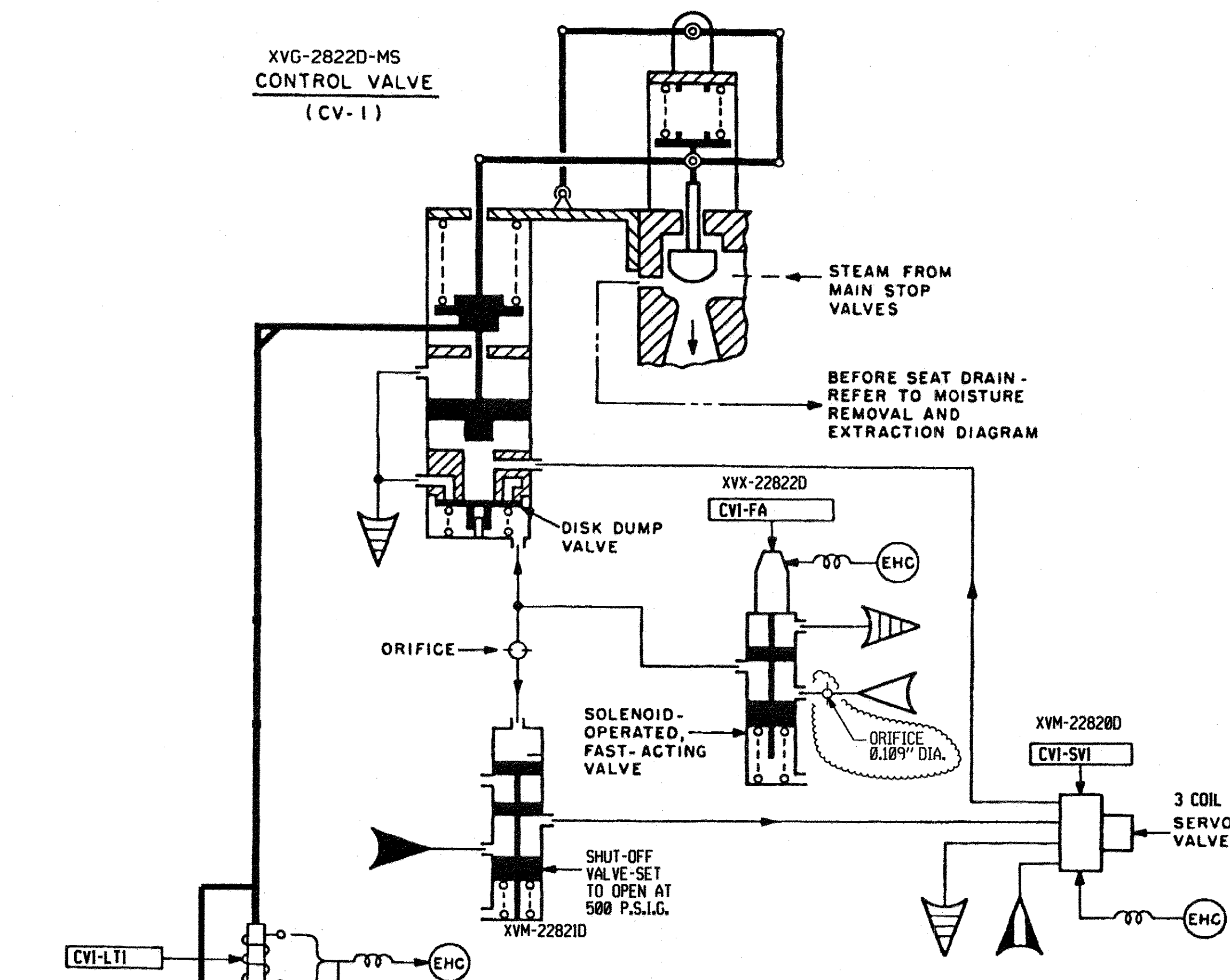
1 TO 4	0.000	5.000	0.089	---	---	---	5.000	0.000	4.589	18
--------	-------	-------	-------	-----	-----	-----	-------	-------	-------	----

E_L = INPUT TO DIODE FUNCTION GENERATOR BOARD
 E_F = POSITION FEEDBACK TO PRE-AMPLIFIER BOARD
 (SEE SCHEMATIC DRAWING - VALVE POSITION UNIT)
 SL = STEM LIFT
 FOR VALVE CURVE ADJUSTMENTS, SEE FIELD LINE INSTRUCTIONS.

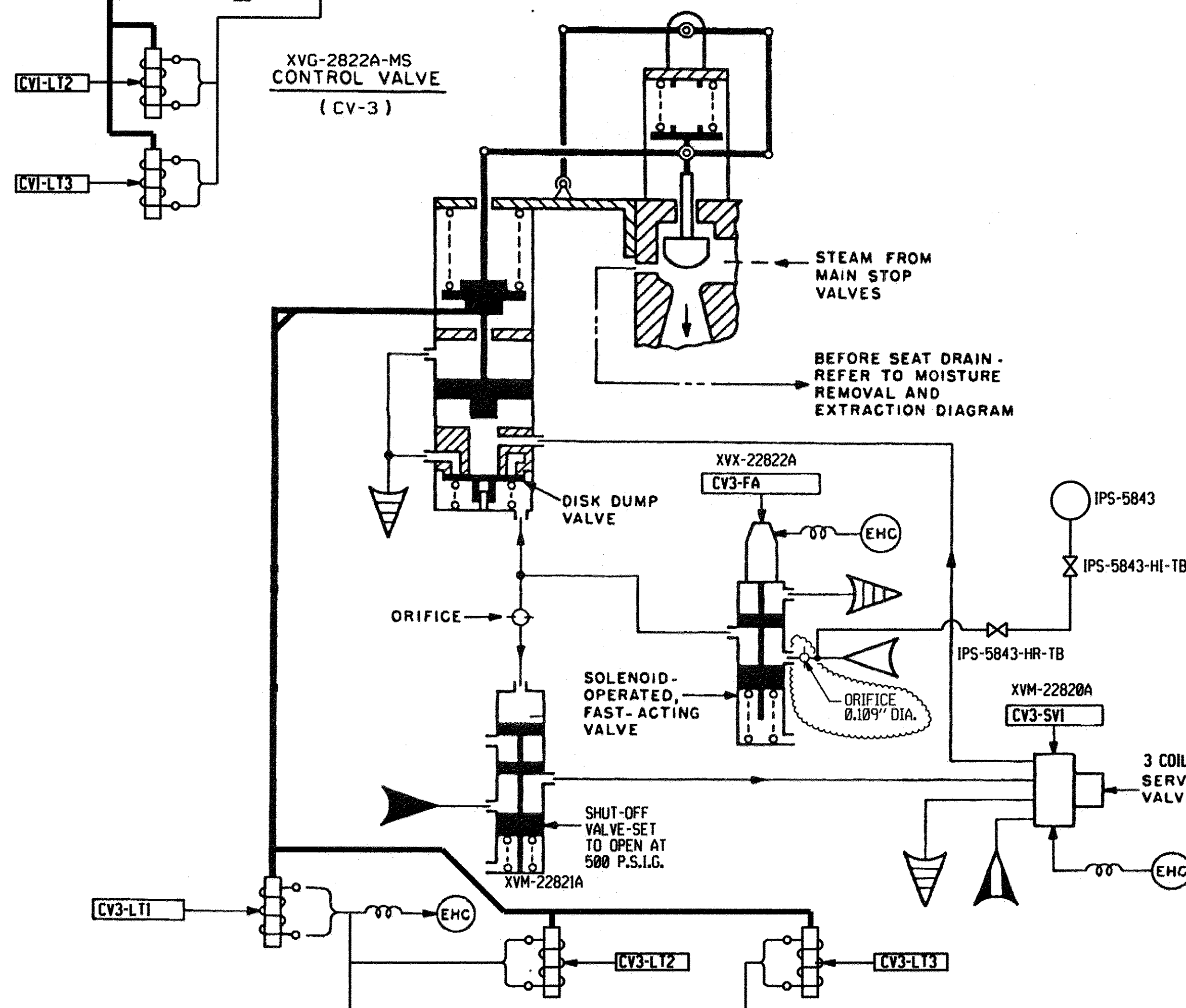
LEGEND

OIL OR HYDRAULIC FLUID LINE ————
 ELECTRICAL CONNECTION ————
 WATER LINE - - - - -
 COMPONENTS SHOWN IN PHANTOM - BY PURCHASER
 1600 P.S.I.G. HYDRAULIC FLUID TO OPERATING DEVICES
 0 - 5 P.S.I.G. HYDRAULIC FLUID DRAIN
 1600 P.S.I.G. HYDRAULIC FLUID TRIP SYSTEM
 1600 P.S.I.G. HYDRAULIC FLUID TO JET
 FEEDBACK SIGNAL TO ELECTRO-HYDRAULIC CONTROL CABINET (EHC)

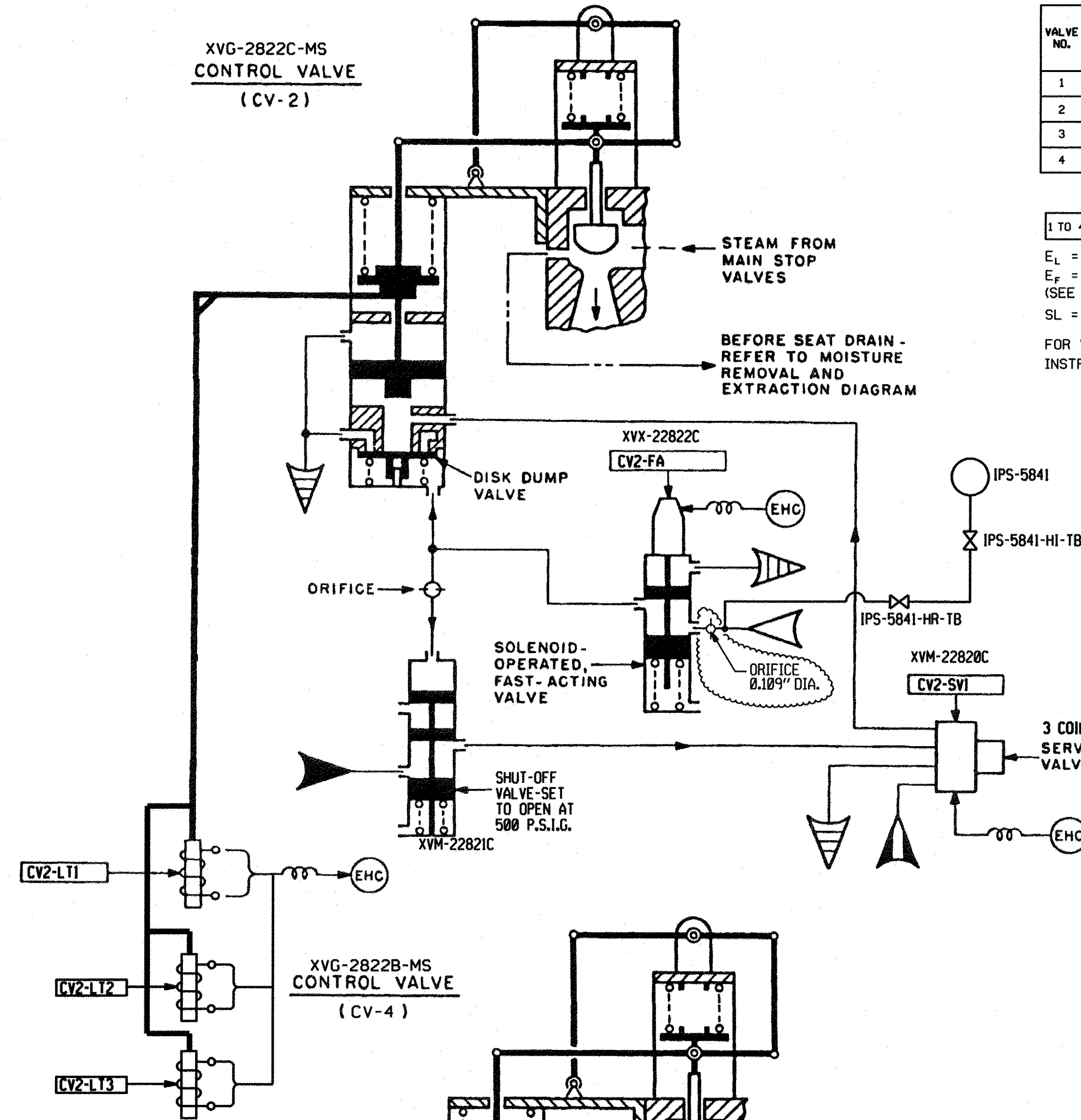
XVG-2822D-MS CONTROL VALVE (CV-1)



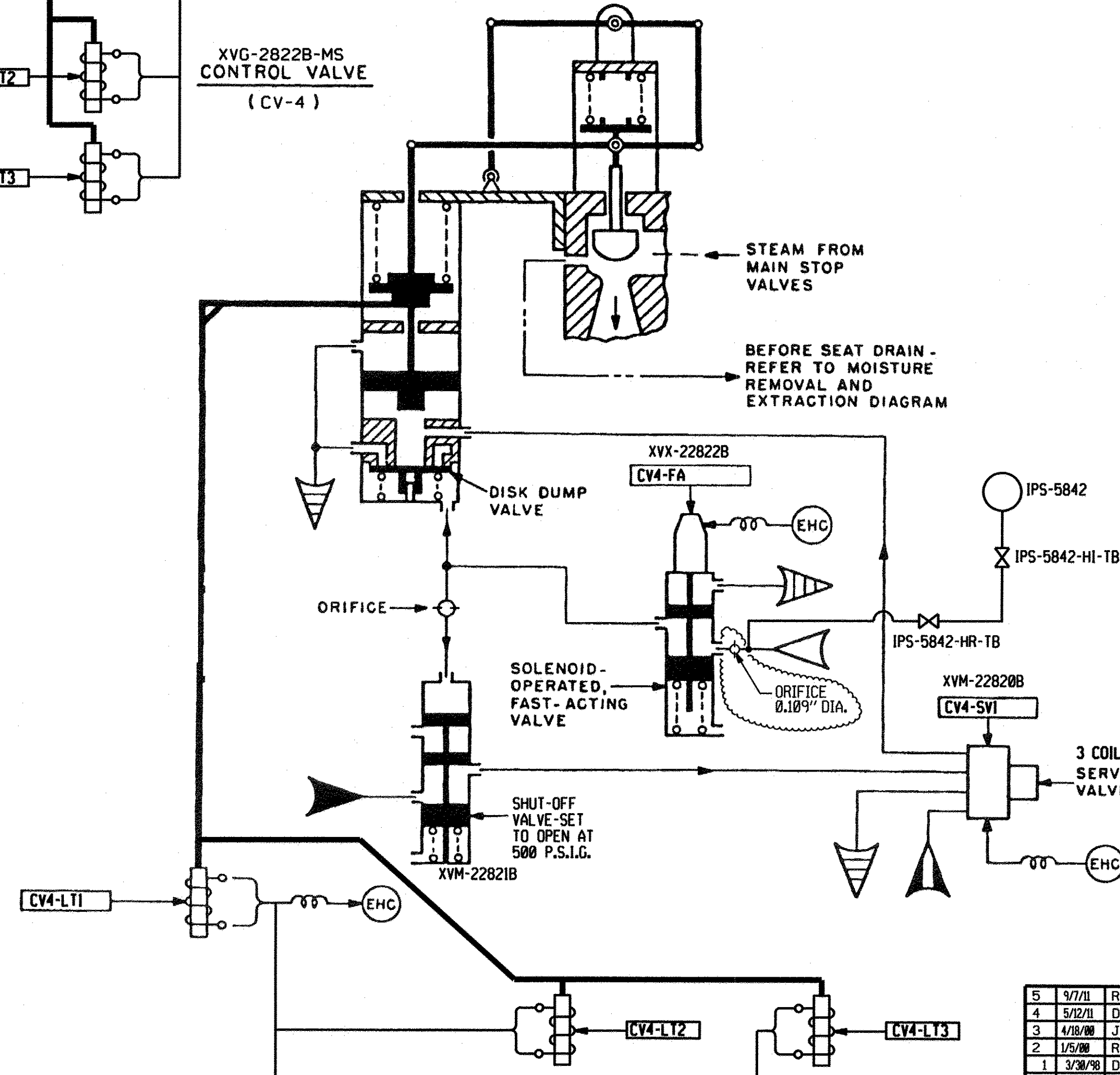
XVG-2822A-MS CONTROL VALVE (CV-3)



XVG-2822C-MS CONTROL VALVE (CV-2)



XVG-2822B-MS CONTROL VALVE (CV-4)



ESSENTIAL

FSAR Figure 10.2-3a

DRAWING LEGIBILITY CLASS 1
 SCE&G CAD ENHANCED

CONTROL DIAGRAM
 TURBINE CONTROL VALVE
 251R45P2a

NO.	DATE	BY	REVISION	CHKD. BY	APPROVAL
5	9/7/11	RHM	REVISED PER ECR-50592	MGR	GM
4	5/2/11	DDJ	REV PER ECR50592B & ECR50592V	MGR	AME
3	4/18/00	JMR	REVISED PER MRF-22553	MGR	JMW
2	1/5/98	RHM	REVISED PER CGSS-00-0005	MGR	JEG
1	3/30/98	DDJ	REVISED PER CGSS-97-0662	MGR	LEK
6	2/25/75	JMR	REVISED PER ECR-72033 R/N 12-013	MGR	TMH

DESIGN ENGINEERING
 A.V.N. M.G.R. J.M.W.
 IMS-27-248
 6

