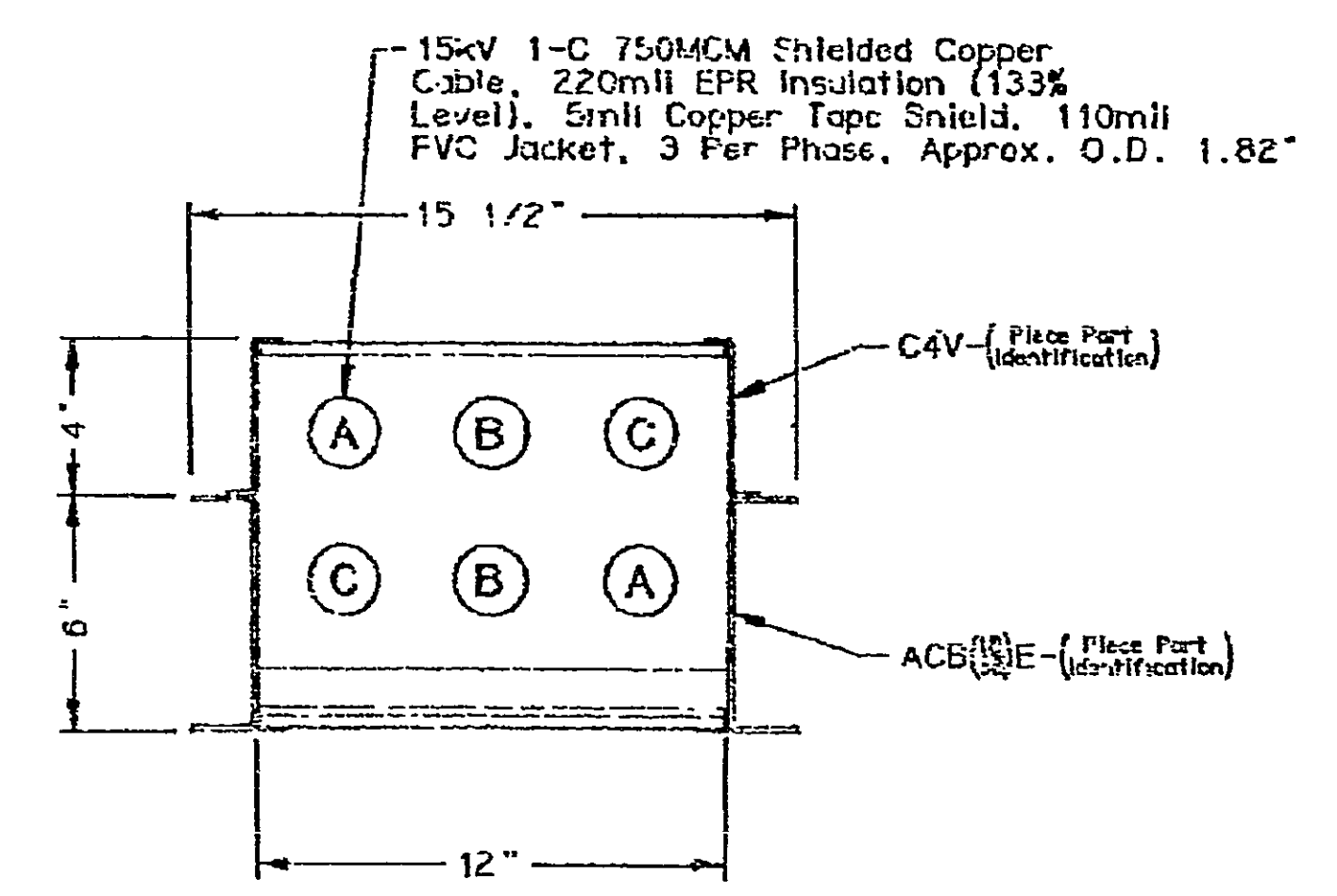
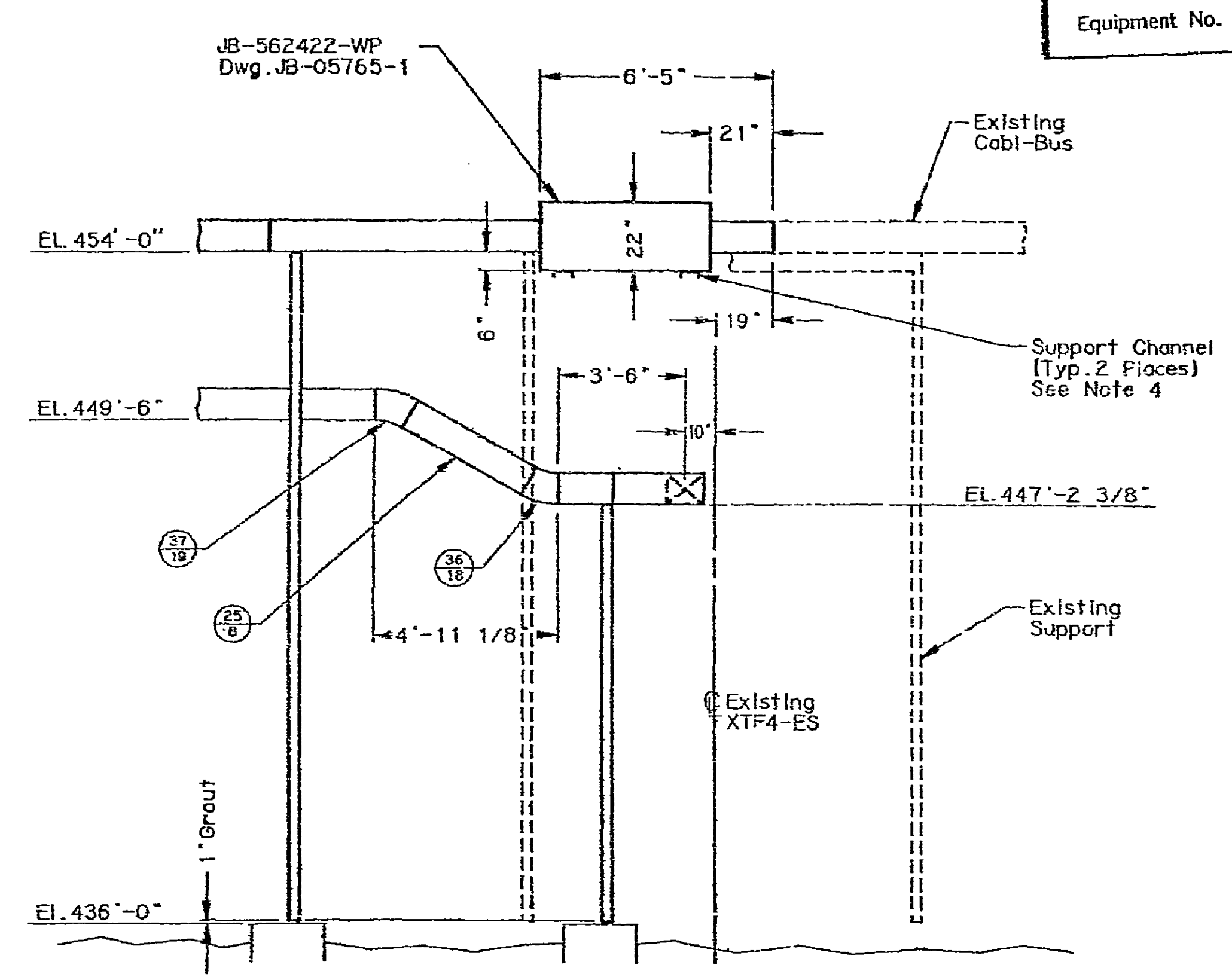
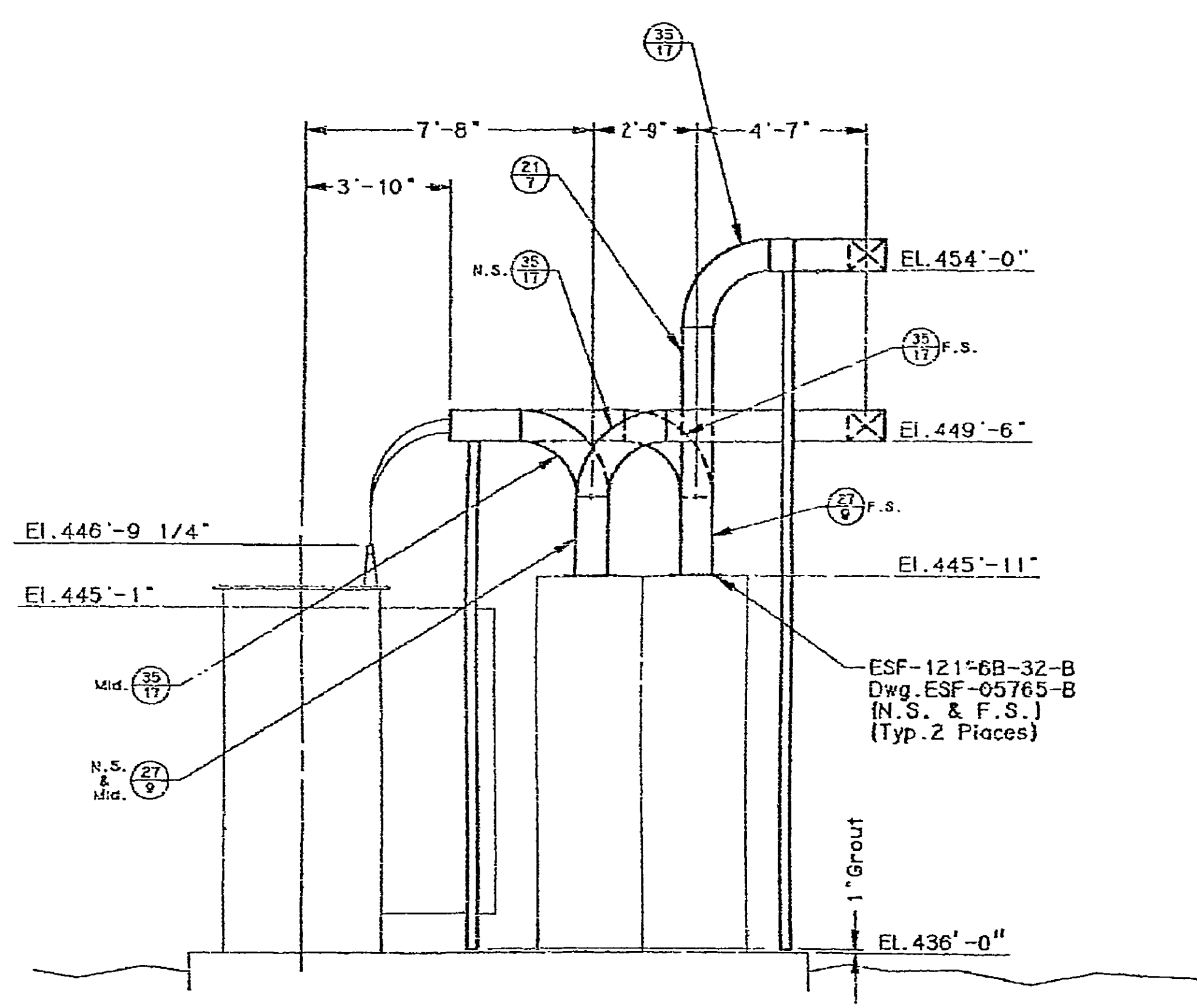


Support Notes:

- 1) All Supports & Anchor Bolts To Be Hot Dip Galvanized After Fabrication.
- 2) Anchor Bolts Are 3/4" Dia. Per Dwg.ED-4H-1.
- 3) Support Base Plates Per Dwg.4029-BP Type "1".
- 4) JB-562422-WP To Be Supported By (2)6"x 1 3/4" Channels (Cat. No. E-18A x 60). Channels To Be Mounted To Underside Of Existing Support.
- 5) Support Foundations Should Be Designed For A Maximum Uplift Of 6500lbs./Leg And A Maximum Dead Load Of 650lbs./Leg.



Cable-Bus Cross Section
 1200A 7.2kV 3 Phase - 3 Wire System

SOUTH CAROLINA ELECTRIC & GAS CO.
 Vigil C. Summer Nuclear Station Unit No. 1

APPROVED
 APPROVED AS NOTED
 RETURNED FOR CORRECTION

GILBERT/COMMONWEALTH, INC.
 BY: *[Signature]* DATE: 5-29-93

SCE&G Design MRF *[Signature]*
 Equipment No. _____

General Notes:

- 1) Mark Numbers Correspond To The Item Numbers From The "Master Shipping List".
- 2) Enclosure Hold-Down Detail Per Dwg.SK-AHDC-A1, However A Nylon Insulating Pad (Cat. No. INSL-VE) Not Shown, Should Be Placed Between The Steel Support Member And The Aluminium Enclosure & Hold-Down Clip.

FSAR Figure 8.3-0b.1

OUTDOOR CABLE BUS LAYOUT & SECTIONS
 SAFEGUARD TRANSFORMER AREA

DESIGN ENGINEERING		V. C. SUMNER NUCLEAR STATION, JENKINSVILLE, S. C.	
DDJ	MGR	DDJ	DDJ
1	10/15/91	DDJ	REVISION
1MS-33-191		1	

Section "A-A"

Section "B-B"

