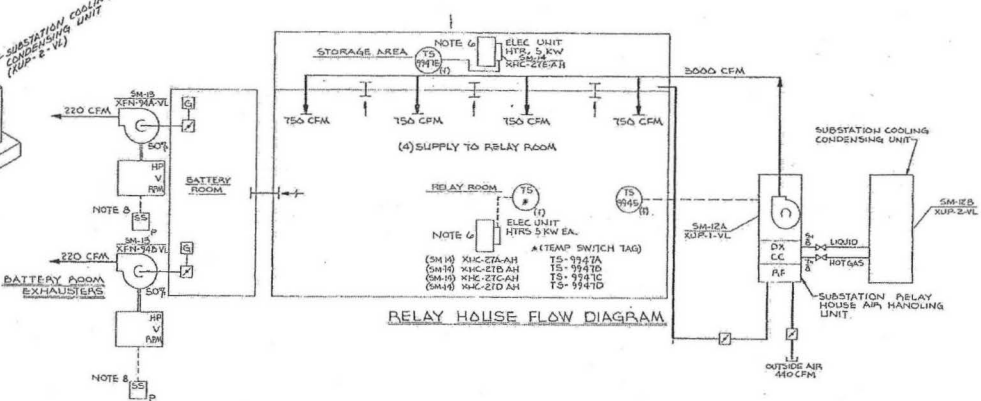
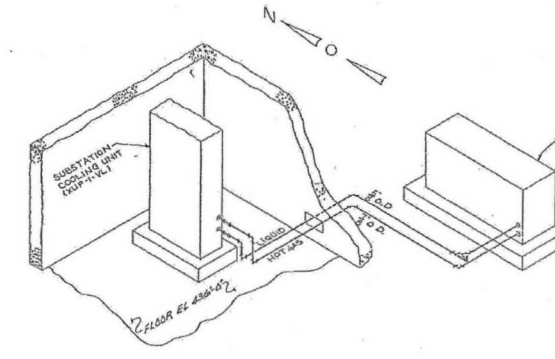
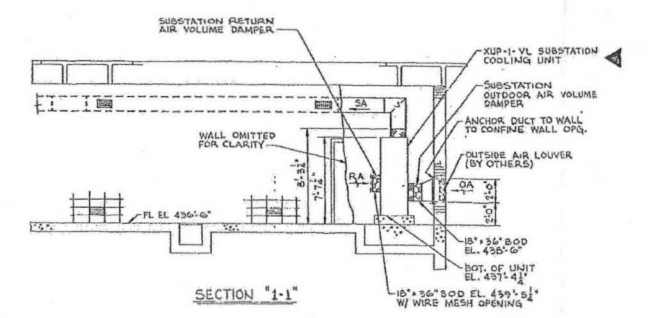
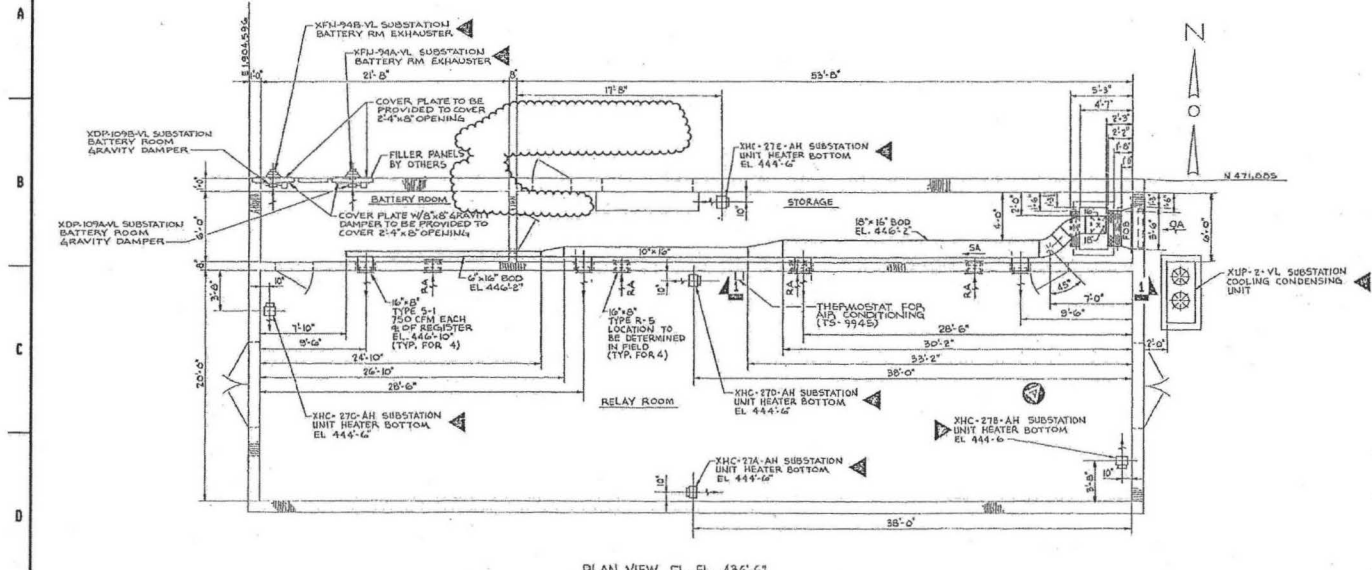


17 16 15 14 13 12 11 10 9 8 7 6 5 4 3 2 1



- NOTES:
1. REFER TO SPECIFICATION 35-120-0401-01 FOR DIMENSIONAL MATERIALS AND CONSTRUCTION.
 2. REFRIGERATION TUBING SHALL BE TYPE L, HARD TEMPER COPPER TUBING WITH WOODGATE COPPER FITTINGS. JOINTS SHALL BE MADE WITH 95-5 SOLDER.
 3. DIMENSIONS TO BE AND SAFETY CLASSIFICATION N/A.
 4. REFER TO SPECIFICATION 29-222-04443-001 FOR IDENTIFICATION OF EQUIPMENT.
 5. COOLING WATER IS CONTROLLED BY AN INVERTED LOGIC TRANSMITTER.
 6. (C) INDICATES THAT THE INSTRUMENT IS EQUIPPED WITH THE LOGIC PANEL.
 7. SWITCHES FOR BATTERY ROOM EXHAUSTERS ARE LOCATED AT A LOCAL OUTSIDE STATION.
 8. FOR SAFETY CLASSIFICATION OF INSTRUMENTATION, SEE THE INSTRUMENT LIST.

REFERENCES:
E-421-008 230KV SUBSTATION RELAY HOUSE FOUNDATION PLAN AND SECTIONS

DRAWING LEGIBILITY CLASS 1
SEE 80 CAD ENHANCED

RN 11-003
FSAR Figure 9.4-26
SOUTH CAROLINA ELECTRIC & GAS COMPANY
YVIRIL C. SUMNER MOLEAR STATION
BUILDING SERVICE HVAC
SUBSTATION RELAY HOUSE FLOOR EL. 436'-8"

NO.	DATE	BY	REVISION	CHKD BY	APPROVAL
6	3/25/84	TGB	REVISED PER ECR-58748D	MGR	DH
5	3/16/84	DDJ	REVISED PER ECR-70828D	MGR	DDJ
4					
3					
2					
1					

DESIGN ENGINEERING
SOUTH CAROLINA ELECTRIC & GAS COMPANY
YVIRIL C. SUMNER MOLEAR STATION, JARROVILLE, S.C.
CHECKED BY DDJ
DESIGNED BY MGR
DATE 3/16/84
PROJECT NO. E-922-541
SHEET NO. 6

