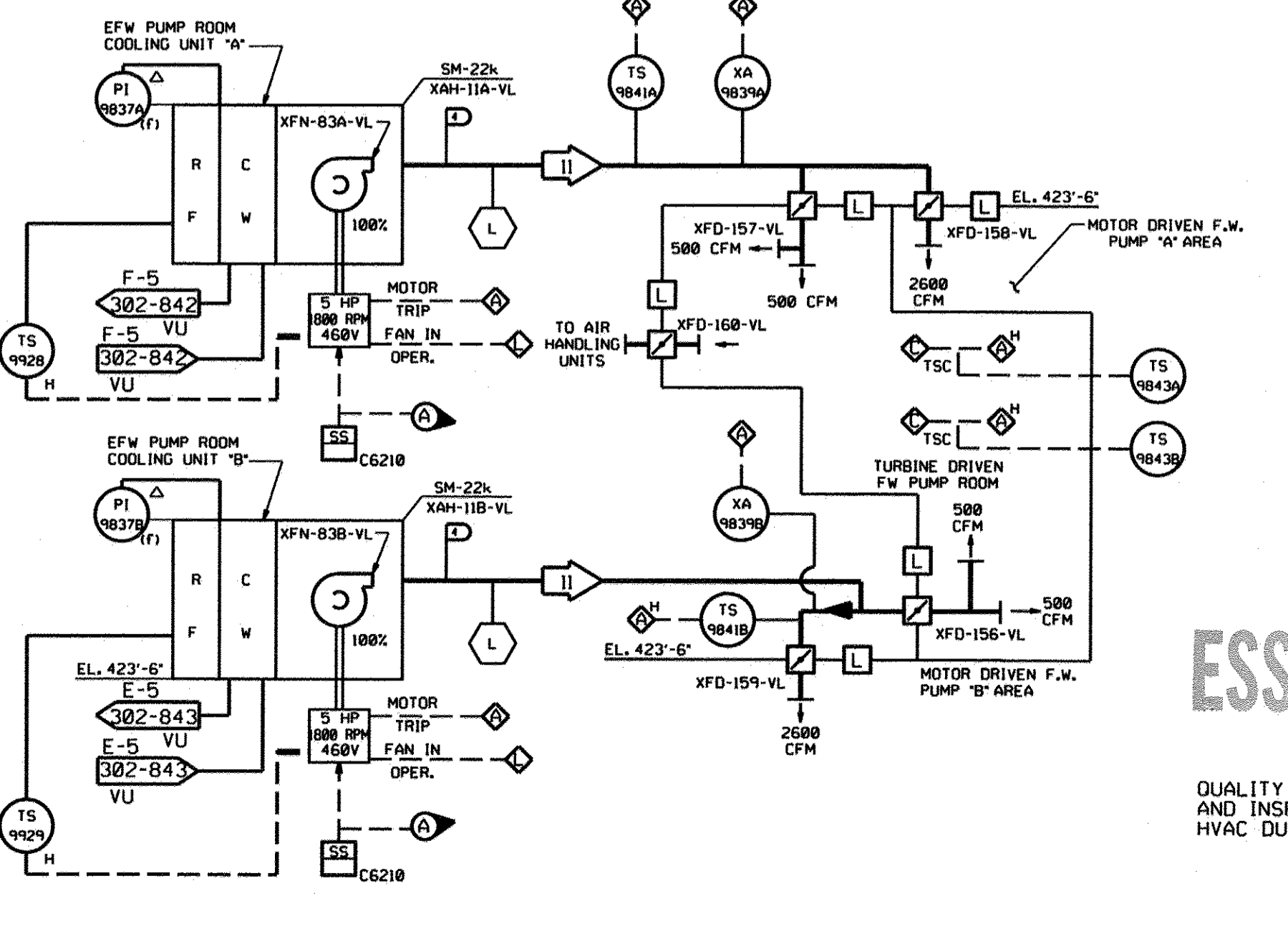
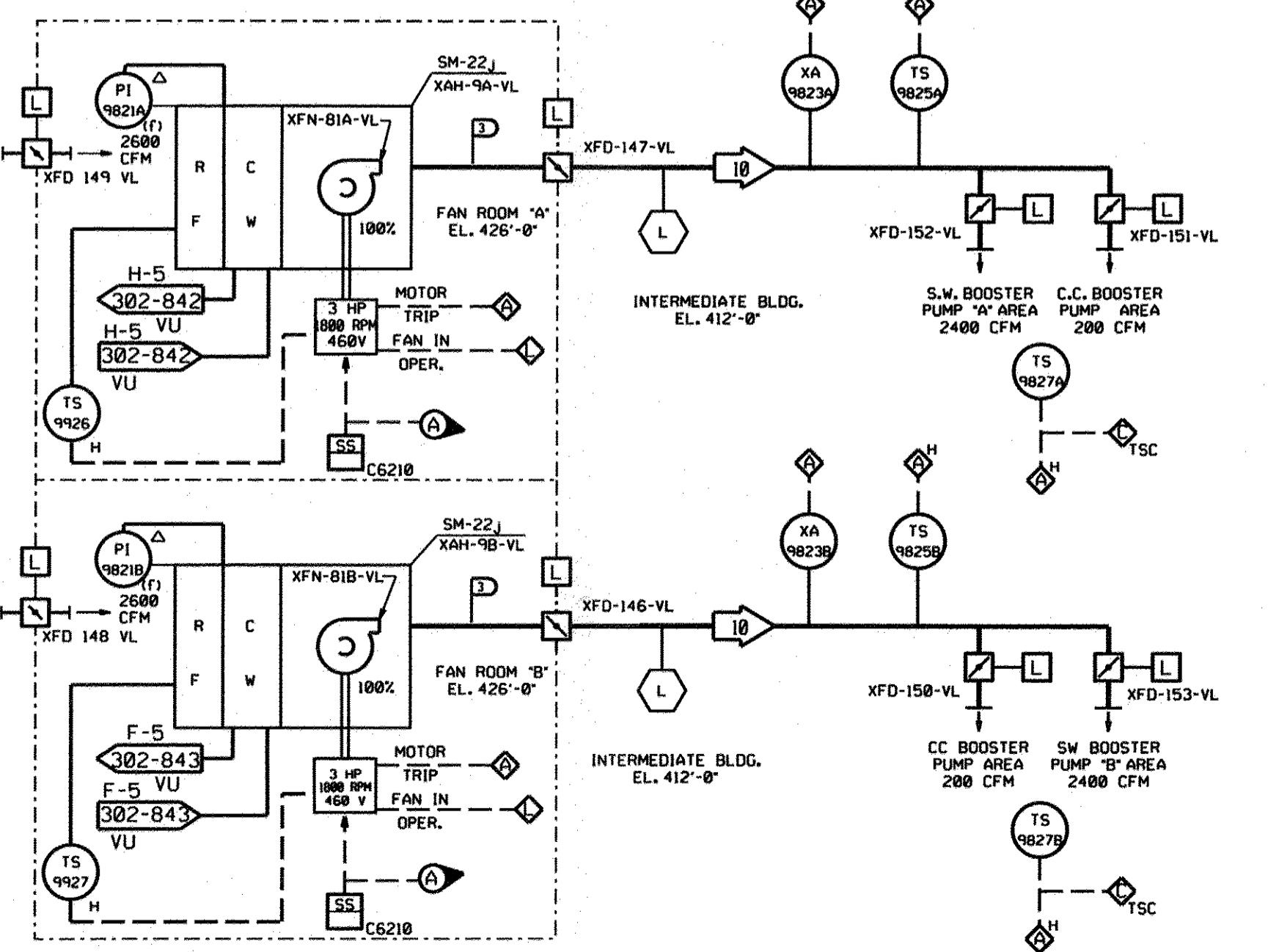
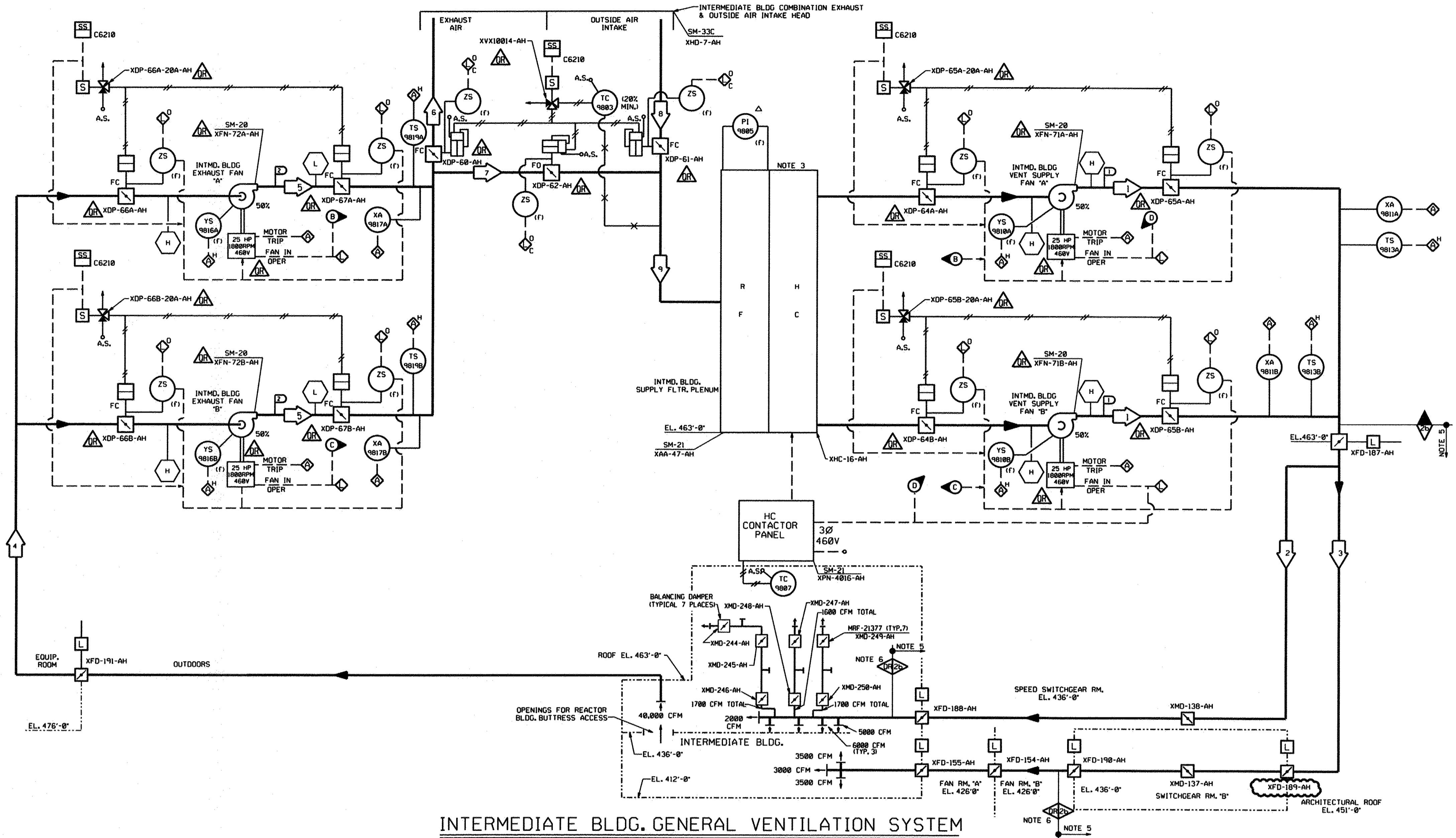


SYS. OPER. DATA

#	AIR FLOW ACFM	AIR TEMP °F
1	20,000	65-95
2	30,000	65-95
3	10,000	65-95
4	40,000	65-104
5	20,000	65-104
6	8,000 TO 32,000	65-104
7	32,000 TO 8	65-104
8	8,000 TO 40,000	19-95
9	40,000	55-95
10	2600	56
11	3600	56



- NOTES:
- EXCEPT WHERE OTHERWISE NOTED, ALL ALARMS & INDICATING LIGHTS ARE LOCATED AT THE HVAC CONTROL BOARD (XCP-6210-AH) IN THE MAIN CONTROL ROOM.
 - (f) INDICATES INSTRUMENT IS FURNISHED WITH EQUIPMENT.
 - HEATING COIL INCLUDES OVER-TEMP. & LOW FLOW PROTECTIVE DEVICES.
 - FOR SAFETY CLASSIFICATION OF INSTRUMENTATION, SEE THE INSTRUMENT LIST.
 - SPECIAL HIGH PRESSURE DUCT CONSTRUCTION SPEED SWITCH ROOM AREA EL. 436'-0" (XFD-187-AH, XFD-188-AH & XFD-190-AH ARE NON-NUCLEAR SAFETY ONLY DUCT IS SAFETY CLASS 2b).
 - ALL DUCTWORK IDENTIFIED AS OR TO BE PER ORP-4.
 - ALL EQUIPMENT IDENTIFIED AS OR TO BE PER TRP-31.
- UNIT STARTS WHEN ASSOCIATED PUMP STARTS. (4 PLCS)

ESSENTIAL

QUALITY RELATED-FABRICATION, ERECTION AND INSPECTION PER SCE&G ORP FOR HVAC DUCTS AND SUPPORTS

DRAWING CLASS LEGIBILITY 1

FSAR Figure 9.4-17			
SOUTH CAROLINA ELECTRIC & GAS COMPANY			
VIRGIL C. SUMNER NUCLEAR STATION			
INTERMEDIATE BUILDING GENERAL VENTILATION AND PUMP AREA COOLING SYSTEMS			
DESIGN ENGINEERING			
V. C. SUMNER NUCLEAR STATION, JENKINSVILLE, S. C.			
DATE	BY	CHECKED	LE APPROVAL
04/22/93	JMH	DVW	GAA
09-01-92	CRR	SRM	DJL
07-29-92	SRM	CRR	R.S.
NO. DATE BY REVISION			LE APPROVAL
			D-912-158
			DRAWING NUMBER
			SHEET NUMBER

#	AIR FLOW ACFM	AIR TEMP °F
4	3600	56
3	2600	56
2	20,000	65/104
1	20,000	65/95

SYS. DESIGN DATA

