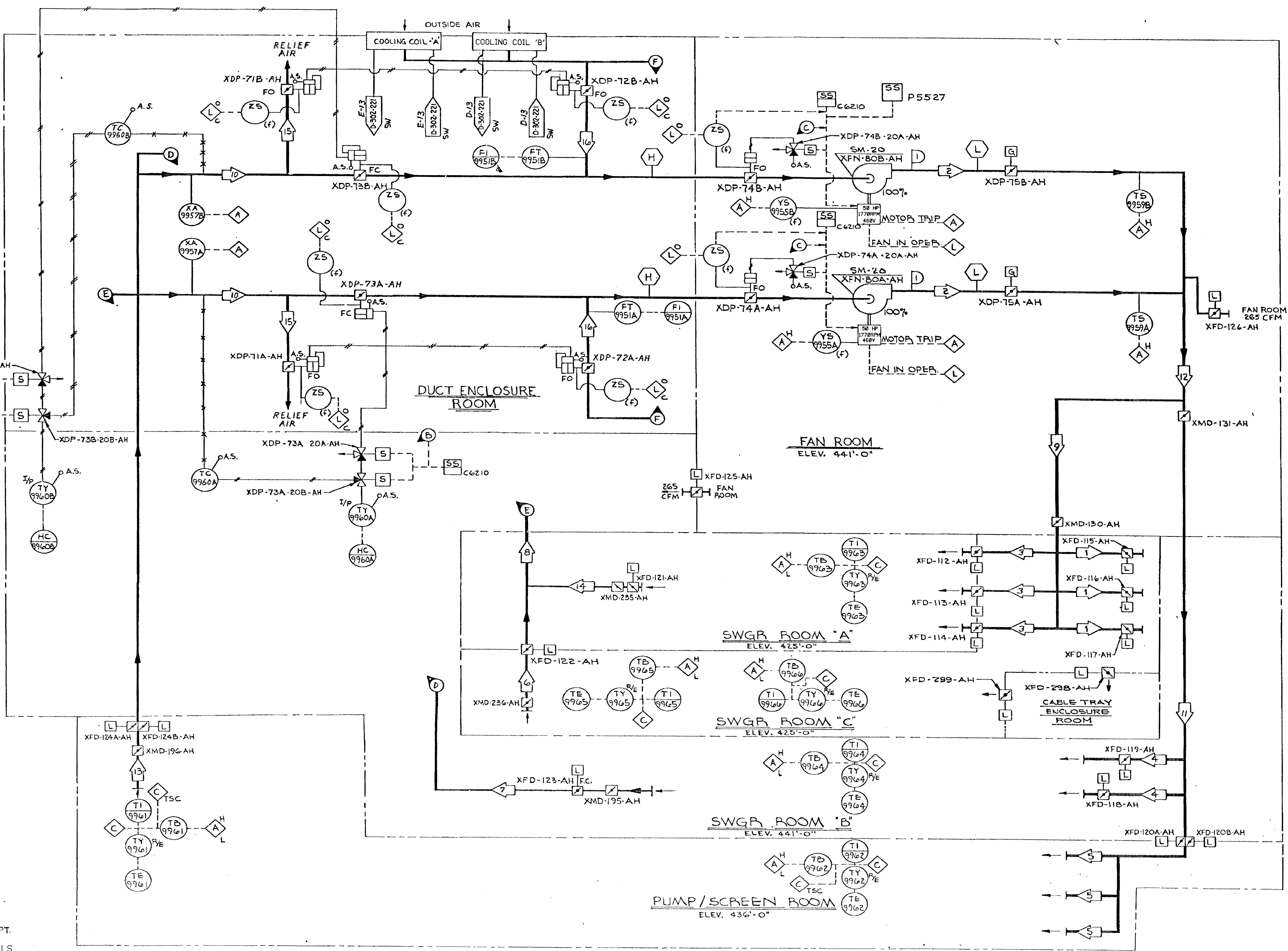
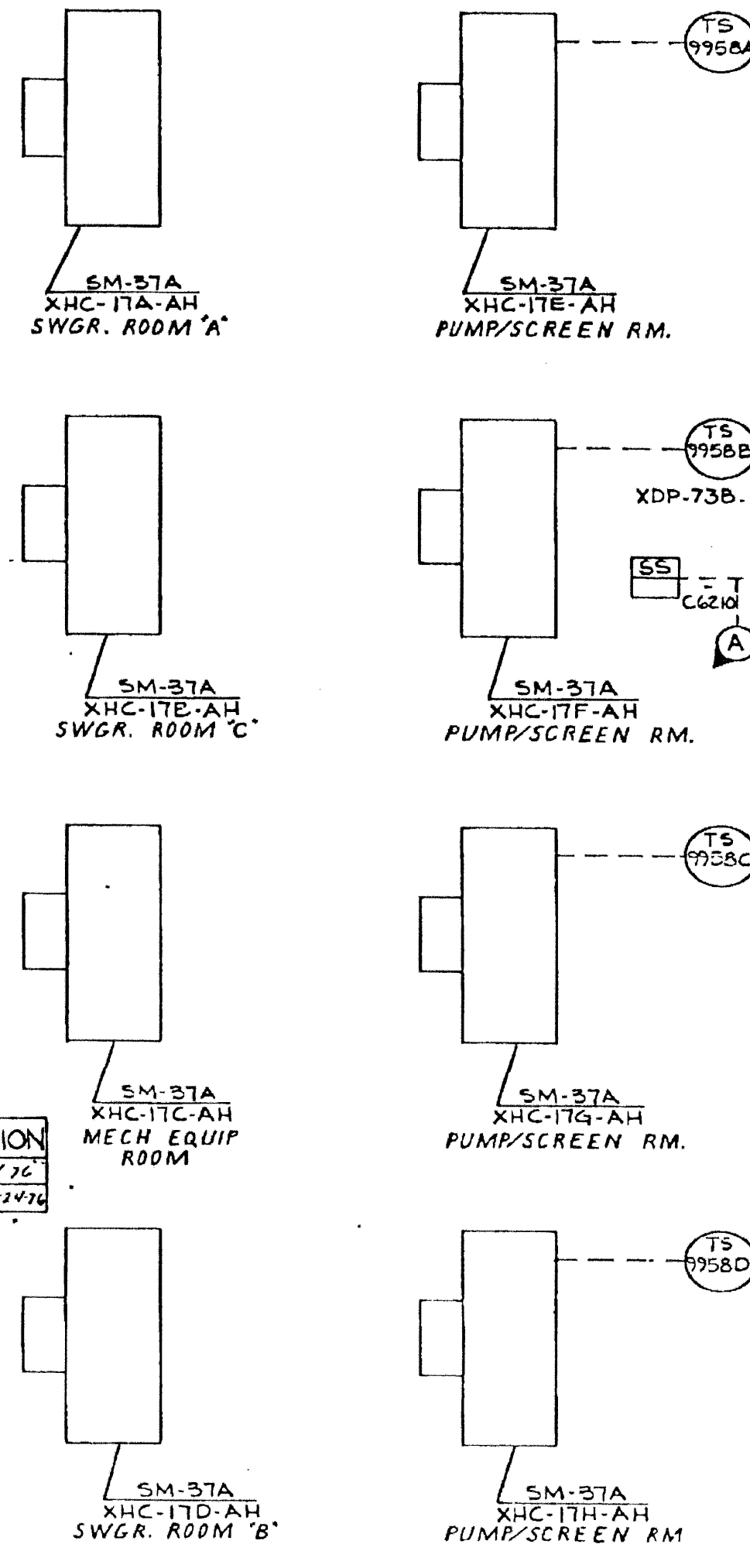
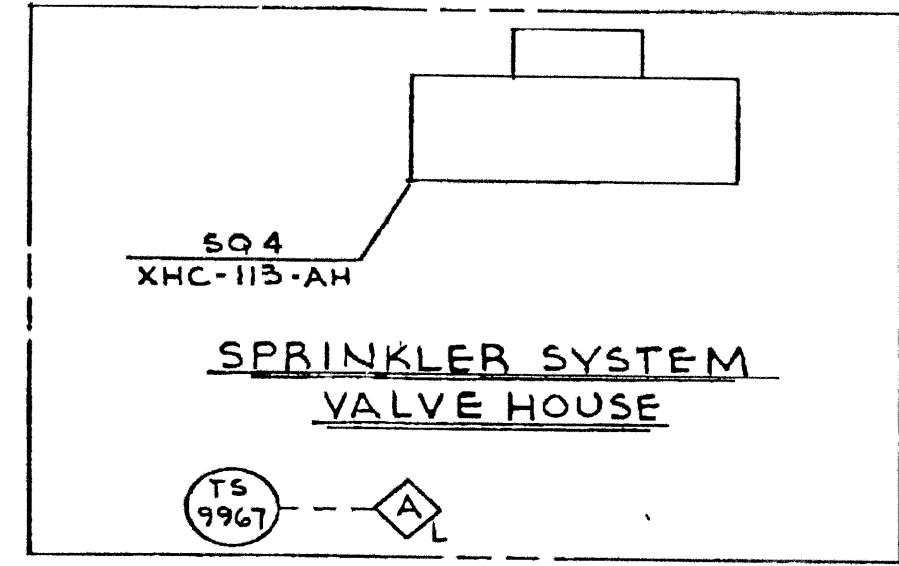


SYS. OPER. DATA			
#	AIR FLOW	AIR TEMP	COMMENT
1	740	97.8 MAX	NOTE 4
2	45000	*	NOTE 4
3	3823	*	NOTE 4
4	5300	*	NOTE 4
5	6815	*	NOTE 4
6	2220	104 MAX	
7	10865	*	
8	13690	*	
9	13690	97.8 MAX	NOTE 4
10	45000	113 MAX	
11	51045	97.8 MAX	NOTE 4
12	44735	*	
13	20445	122 MAX	
14	11469	104 MAX	
15	0-45000	113 MAX	
16	45000-0	119-95	



SAFETY CLASS VERIFICATION
 ORIGINATED BY: [Signature]
 REVIEWED BY: [Signature]

- (A) CHANNEL "A" SI SIGNAL VENTS AIR FROM POSITIONER.
 - (B) CHANNEL "B" SI SIGNAL VENTS AIR FROM POSITIONER.
 - (2 PLCS.) (C) ESFLS AUTO START SIGNAL.
1. UNLESS NOTED OTHERWISE ALL ALARMS 4 INDICATING LIGHTS ARE LOCATED ON THE HVAC CONTROL BOARD (XCP-6210-AH) IN THE MAIN CONTROL ROOM.
 2. FOR SAFETY CLASSIFICATION OF INSTRUMENTATION, SEE THE INSTRUMENT LIST.
 3. (F) INDICATES THAT THE INSTR. IS FURNISHED WITH EQPT.
 4. A MAXIMUM TEMPERATURE OF 98.4° F COULD OCCUR WITH THE COOLING COILS ISOLATED/NOT IN OPERATION AND AN OUTSIDE AIR TEMPERATURE OF 95° F WITH THE COOLING COILS IN OPERATION PER DESIGN AND A 95° F OUTSIDE AIR TEMPERATURE, THE MAXIMUM TEMPERATURE WOULD BE 97.8° F.

ALL SYSTEM COMPONENTS EXCEPT UNIT HEATERS ARE SAFETY CLASS 2B.

THIS IS A NUCLEAR SAFETY RELATED DOCUMENT. NO DEVIATION SHALL BE INITIATED OR PERFORMED WITHOUT PRIOR DOCUMENTATION AND WRITTEN APPROVAL.

FSAR Figure 9.4-19	
SOUTH CAROLINA ELECTRIC & GAS COMPANY	
VIRGIL C. SUMNER NUCLEAR STATION	
BUILDING SERVICE SYSTEM FLOW DIAGRAM	
SERVICE WATER INTAKE SCREEN AND PUMP HOUSE BLDG VENTILATION SYSTEM	
DESIGN ENGINEERING	
DATE	BY
17 10/04/01	DDJ
16 03/16/94	RHM
15 03/16/94	RHM
14 03/16/94	RHM
13 03/16/94	RHM
12 03/16/94	RHM
11 03/16/94	RHM
10 03/16/94	RHM
09 03/16/94	RHM
08 03/16/94	RHM
07 03/16/94	RHM
06 03/16/94	RHM
05 03/16/94	RHM
04 03/16/94	RHM
03 03/16/94	RHM
02 03/16/94	RHM
01 03/16/94	RHM

DRAWING LEGIBILITY CLASS 1
 SCE&G CAD ENHANCED

NO.	DATE	BY	REVISION	CKD. BY	APPROVAL
17	10/04/01	DDJ	REVISED PER ECR-7002B	MGR	DDJ
16	03/16/94	RHM	REVISED PER CGSS-94-0404	MGR	DJL
NO SCALE					
D-912-155					17
DRAWING NUMBER					SHEET NUMBER

ESSENTIAL

