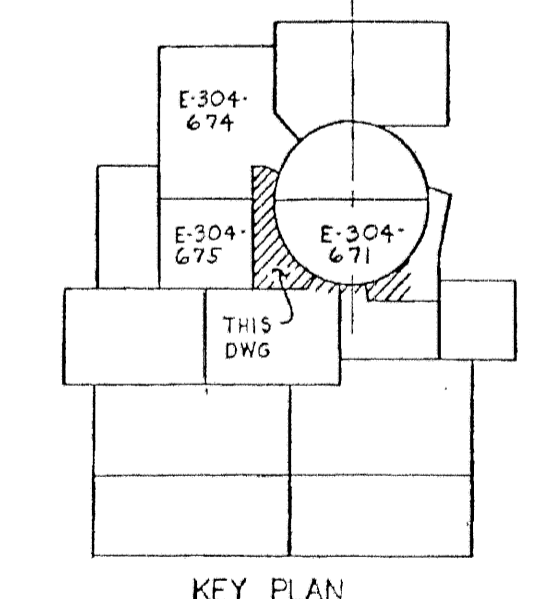
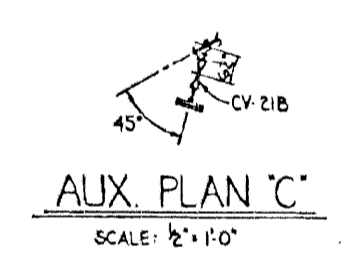
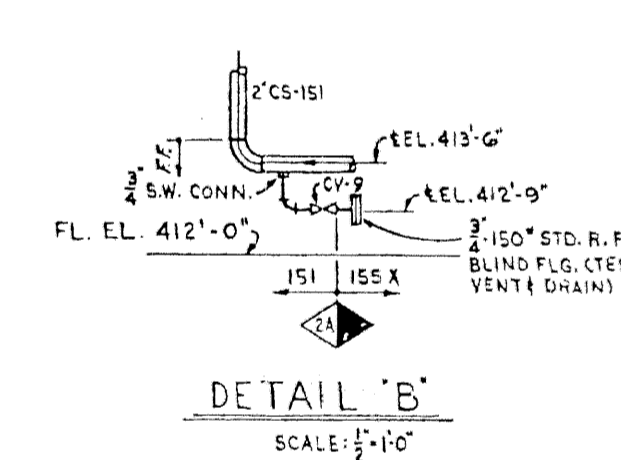
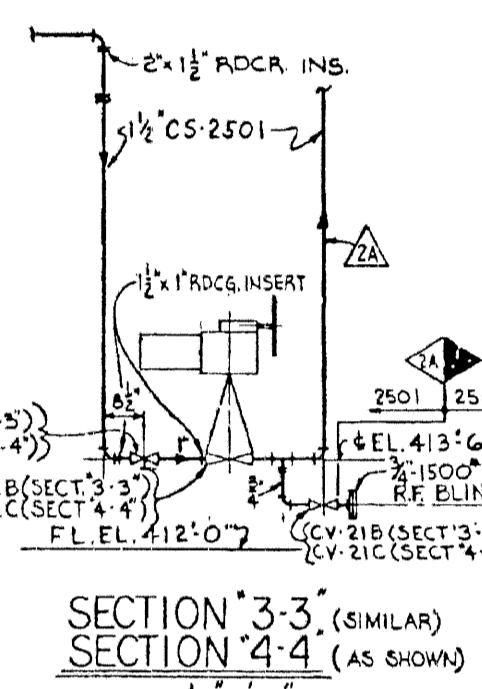
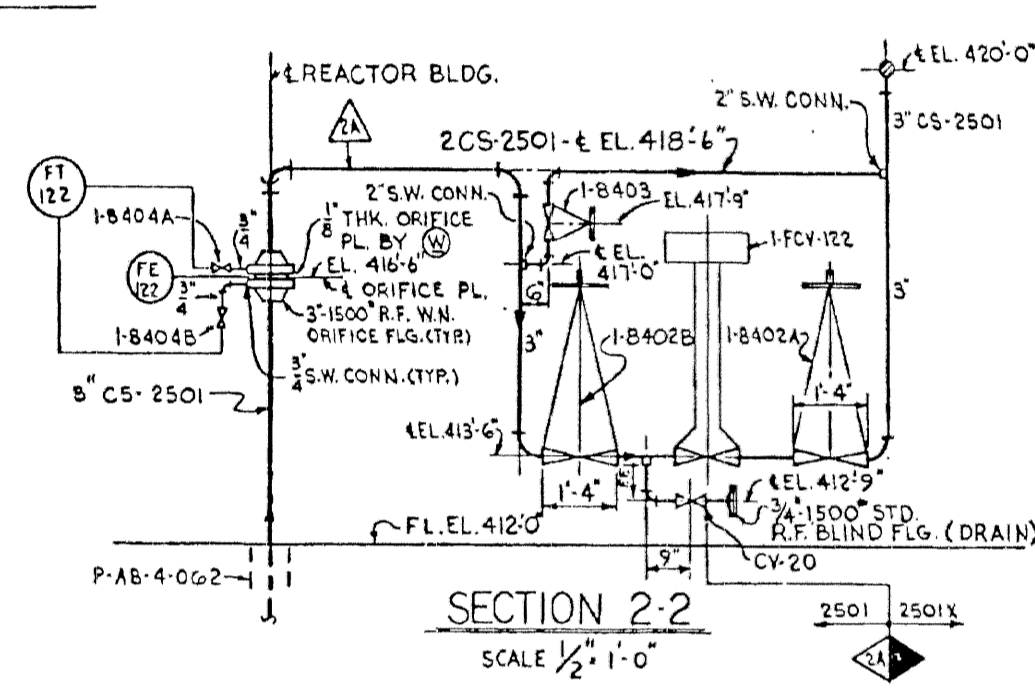
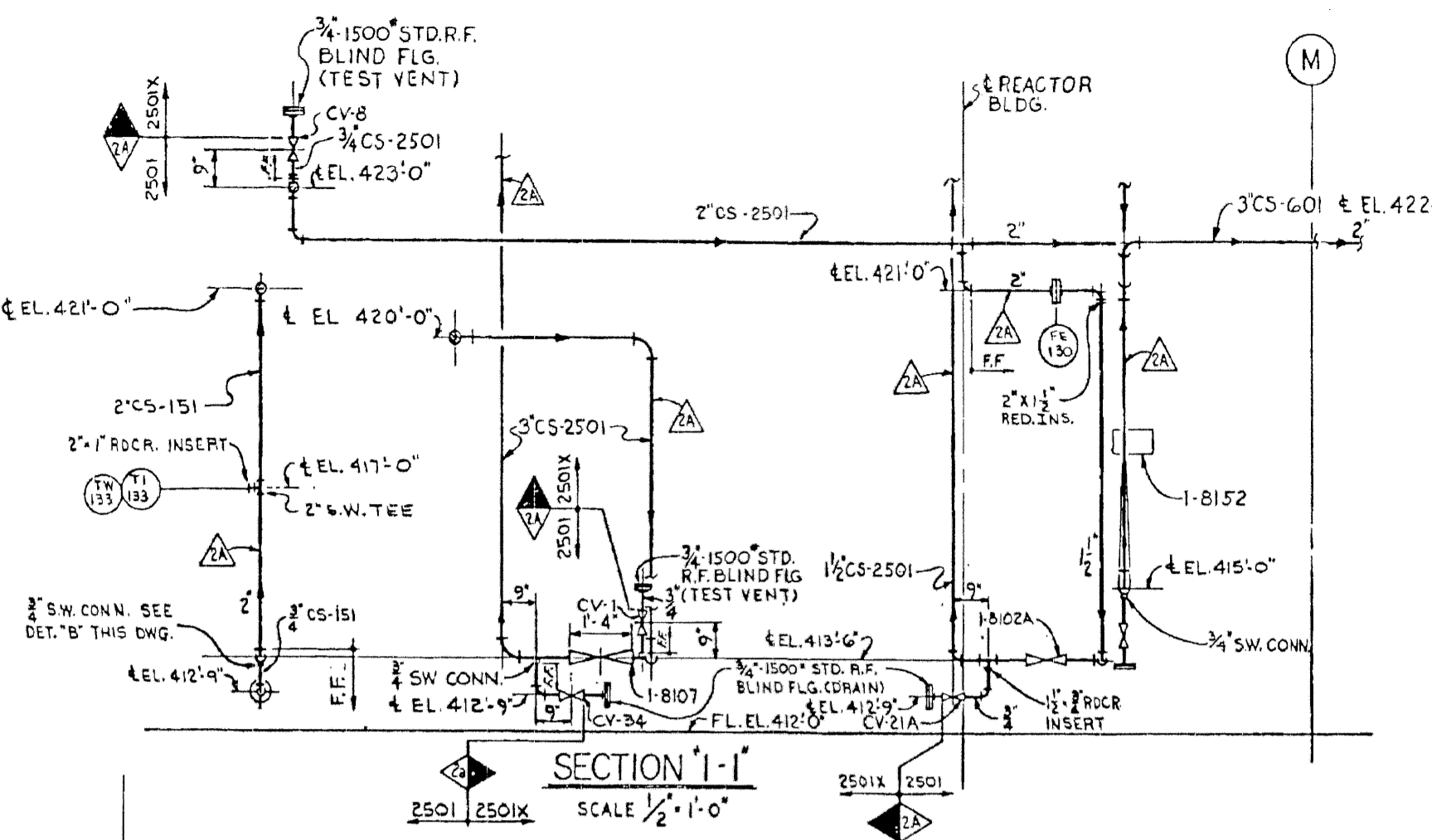
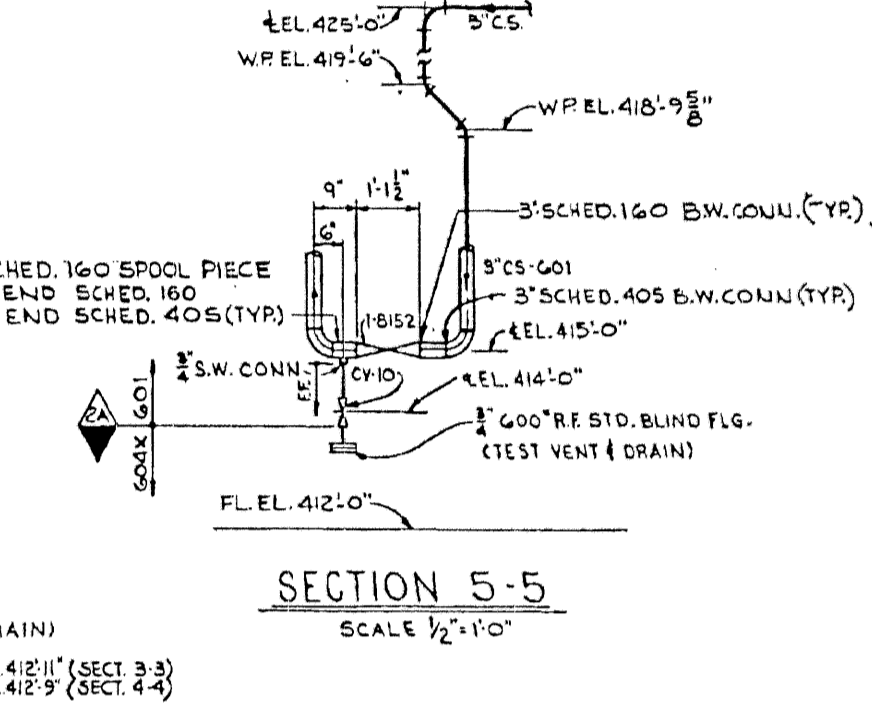


INSTR. NUMBER	ORIFICE PLATE NO.	VALVE NO. UPSTREAM	VALVE NO. DOWNSTREAM	PIPE SIZE	LOCATION DWG.
FT-124	FE-124	1-B371C	1-B370C	2"	E-304-G76
FT-127	FE-127	1-B371B	1-B370B	2"	E-304-G76
FT-130	FE-130	1-B371A	1-B370A	2"	E-304-G76



NOTES:
1. FOR NOTES AND REFERENCES SEE DWG. E-304-675.

THIS IS A NUCLEAR SAFETY RELATED DOCUMENT. NO MODIFICATION SHALL BE MADE OR PERFORMED WITHOUT PROPER DOCUMENTATION AND WRITTEN APPROVAL.

FSAR Figure 7.6-8
SOUTH CAROLINA ELECTRIC & GAS COMPANY
VIRGIL C. SUMNER NUCLEAR STATION
CHEMICAL VOLUME CONTROL SYSTEM AREAS
AREAS PLAN & SECTIONS BELOW ELEV. 436'-0"

NO.	DATE	BY	REVISION	APP. BY	APP. TITLE
12	8/20/01	JCM	REVISED PER ECR-70028	MGR	JCM
11	8/20/01	ACI	REVISED PER MPT-2381	MGR	ACI
10	8/20/01	ACI	REVISION	MGR	ACI

E-304-676