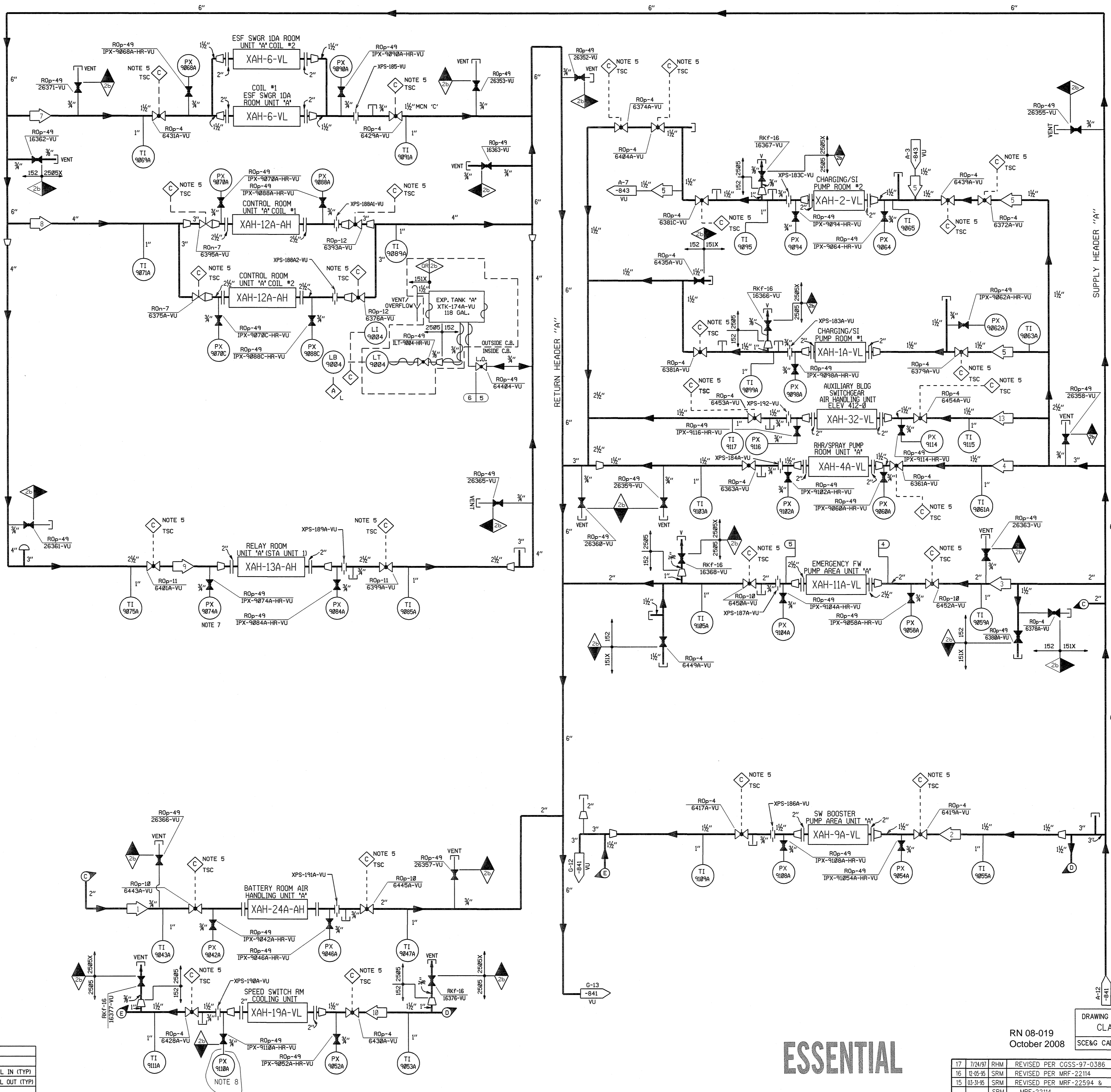


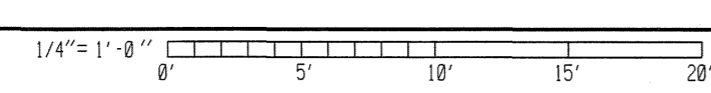
| SYSTEM DATA | | | | | | |
|-------------|--------|------|-------|------|-----|---------|
| NO. | NORMAL | PSIG | UPSET | PSIG | BY | REMARKS |
| 1 | 52 | 98 | --- | 45 | JAH | |
| 2 | 53 | 93 | --- | 45 | JAH | |
| 3 | 78 | 95 | --- | 45 | JAH | |
| 4 | 58 | 104 | --- | 45 | JAH | |
| 5 | 59 | 100 | --- | 45 | JAH | |
| 6 | --- | --- | --- | --- | --- | --- |
| 7 | 65 | 83 | --- | 45 | JAH | |
| 8 | 128 | 77 | --- | 45 | JAH | |
| 9 | 53 | 76 | --- | 45 | JAH | |
| 10 | 29 | 89 | --- | 45 | JAH | |
| 11 | --- | --- | --- | --- | --- | --- |
| 12 | --- | --- | --- | --- | --- | --- |
| 13 | 14 | 101 | --- | 45 | JAH | |



- NOTES:
1. ALL EQUIPMENT SAFETY CLASS 2b, UNLESS NOTED OTHERWISE
 2. ALL SAFETY CLASS PIPING TO BE IN ACCORDANCE WITH LINE SPEC 152N
 3. ALL NON SAFETY CLASS PIPING TO BE IN ACCORDANCE WITH LINE SPEC 151X
 4. ALL ALARMS AND INDICATING LIGHTS ARE LOCATED ON THE HWAC CONTROL BOARD (XCP-6210-4) IN THE MAIN CONTROL ROOM, EXCEPT WHERE NOTED OTHERWISE
 5. OPERATOR INITIATED INPUT TO THE TSC COMPUTER
 6. THE HYDROSTATIC PRESSURE LISTED ON THIS DRAWING IN THE DESIGN DATA BOX IS PER SECTION XI OF THE ASME CODE. THE VALUE IS BASED ON DEAD HEAD PRESSURE AT THE PUMP DISCHARGE. THE VALUE DOES NOT INCLUDE ELEVATION CORRECTIONS.
 7. CONNECTION CONTAINS PERMANENT SAMPLE CONNECTION. REFER TO IWS-22-1619 FOR DETAILS.
 8. ALL PIPING AND COMPONENTS DOWNSTREAM OF IPX ROOT VALVES ARE NON SAFETY RELATED. SEE TYPICAL DEPICTION AT IPX 9110A.

THE ASSOCIATED 307 DRAWING SHALL BE REVISED IN CONJUNCTION WITH REVISION TO THIS 302 IF THE CROSS HATCHED AREA IS AFFECTED.

| DESIGN DATA | | | | | | |
|-------------|-----|------|-------|------|-----|----------------|
| NO. | ATM | PSIG | UPSET | PSIG | BY | REMARKS |
| 6 | 107 | --- | --- | 5 | DJL | COIL IN (TYP) |
| 5 | 123 | 54 | --- | 136 | DJL | COIL OUT (TYP) |
| 4 | 123 | 45 | --- | 136 | DJL | COIL OUT (TYP) |
| 3 | --- | --- | --- | --- | --- | --- |
| 2 | --- | --- | --- | --- | --- | --- |
| 1 | --- | --- | --- | --- | --- | --- |



ESSENTIAL

RN 08-019
October 2008

DRAWING LEGIBILITY
CLASS 1
SCE&G CAD ENHANCED

FSAR Figure 9.4-23
SOUTH CAROLINA ELECTRIC & GAS COMPANY
VIRGIL C. SUMNER NUCLEAR STATION
SYSTEM FLOW DIAGRAM
PIPING
CHILLED WATER - TO COOLING COILS

| NO. | DATE | BY | REVISION | CKD. | APPROVAL |
|-----|----------|-----|-----------------------------------|------|----------|
| 17 | 7/24/97 | RHM | REVISED PER CGSS-97-0386 | MGR | GJM |
| 16 | 10/05/95 | SRM | REVISED PER MRF-22114 | MGR | DJL |
| 15 | 03/31/95 | SRM | REVISED PER MRF-22594 & MRF-22114 | MGR | CHR |
| 14 | --- | --- | --- | --- | --- |
| 13 | --- | --- | --- | --- | --- |
| 12 | --- | --- | --- | --- | --- |
| 11 | --- | --- | --- | --- | --- |
| 10 | 8/20/08 | RHM | REVISED PER ECR-71196 | MGR | LF |
| 9 | 02/24/05 | JTS | CADD ENHANCED PER ECR-50239 | MGR | DDJ |
| 8 | --- | --- | --- | --- | --- |
| 7 | --- | --- | --- | --- | --- |
| 6 | --- | --- | --- | --- | --- |
| 5 | --- | --- | --- | --- | --- |
| 4 | --- | --- | --- | --- | --- |
| 3 | --- | --- | --- | --- | --- |
| 2 | --- | --- | --- | --- | --- |
| 1 | --- | --- | --- | --- | --- |

DESIGN ENGINEERING
V. C. SUMNER NUCLEAR STATION, JENKINSVILLE, S.C.
CRR RHM DJC
D-302-842
SHT. NUMBER REV.