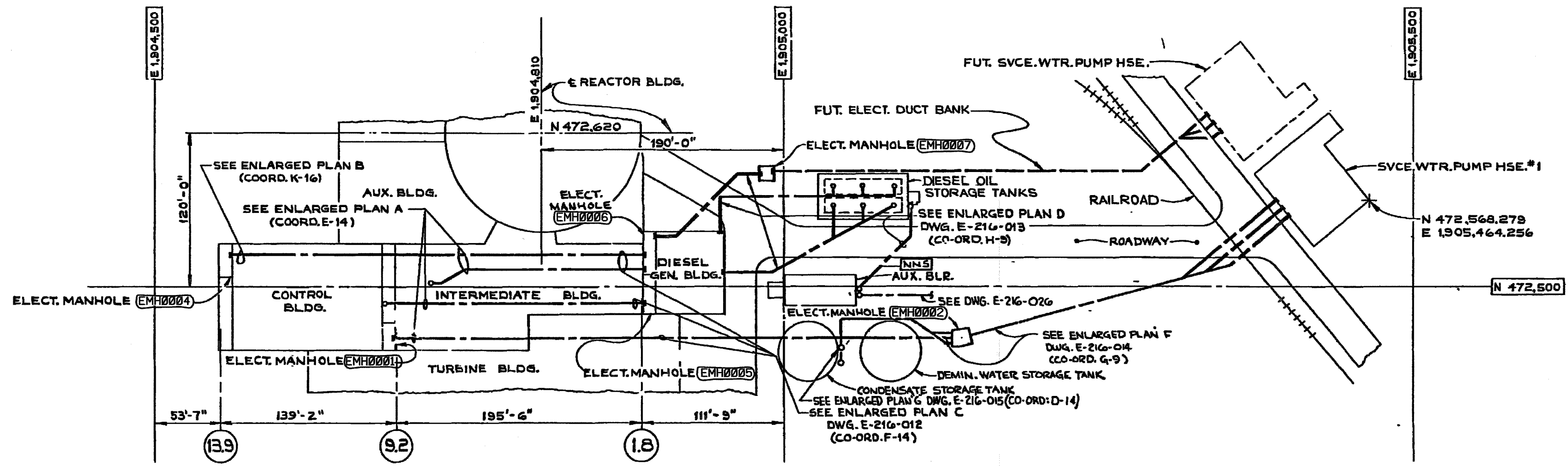
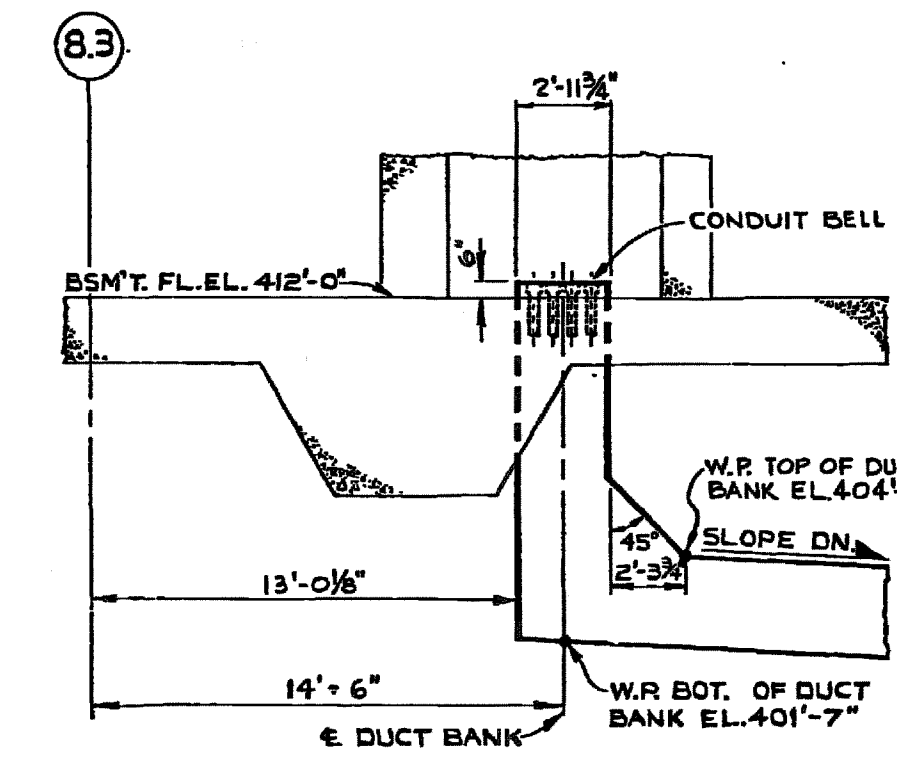


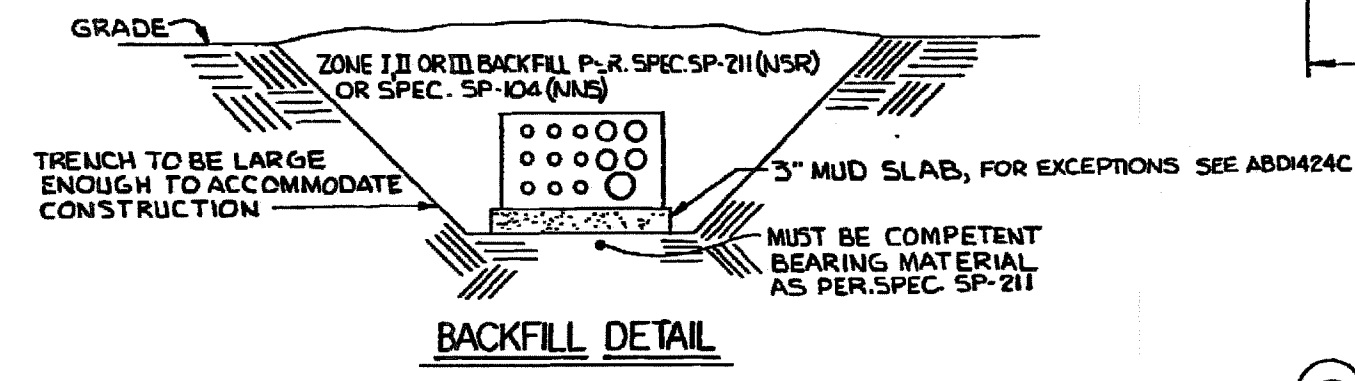
ENLARGED PLAN A
SCALE: 1/8"=1'-0"
(COORD. B-5)



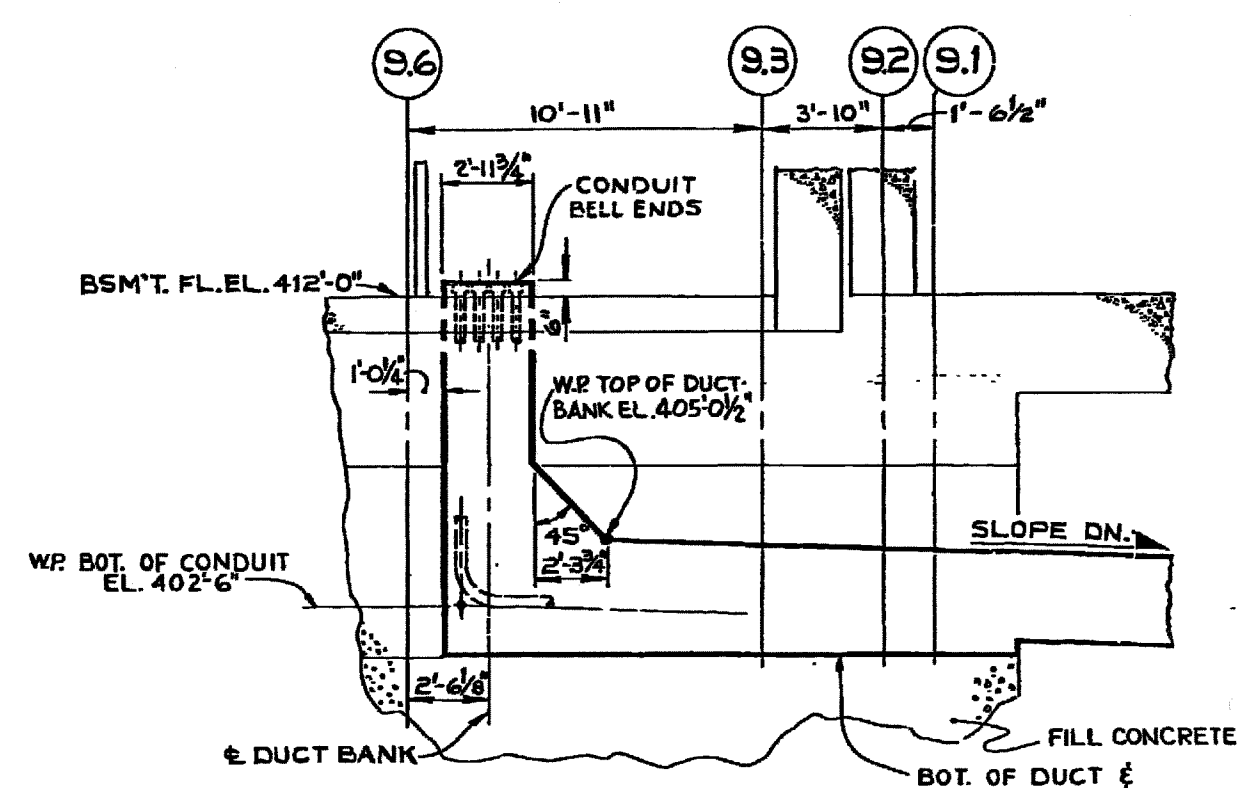
PLOT PLAN
SCALE: 1"=50'-0"



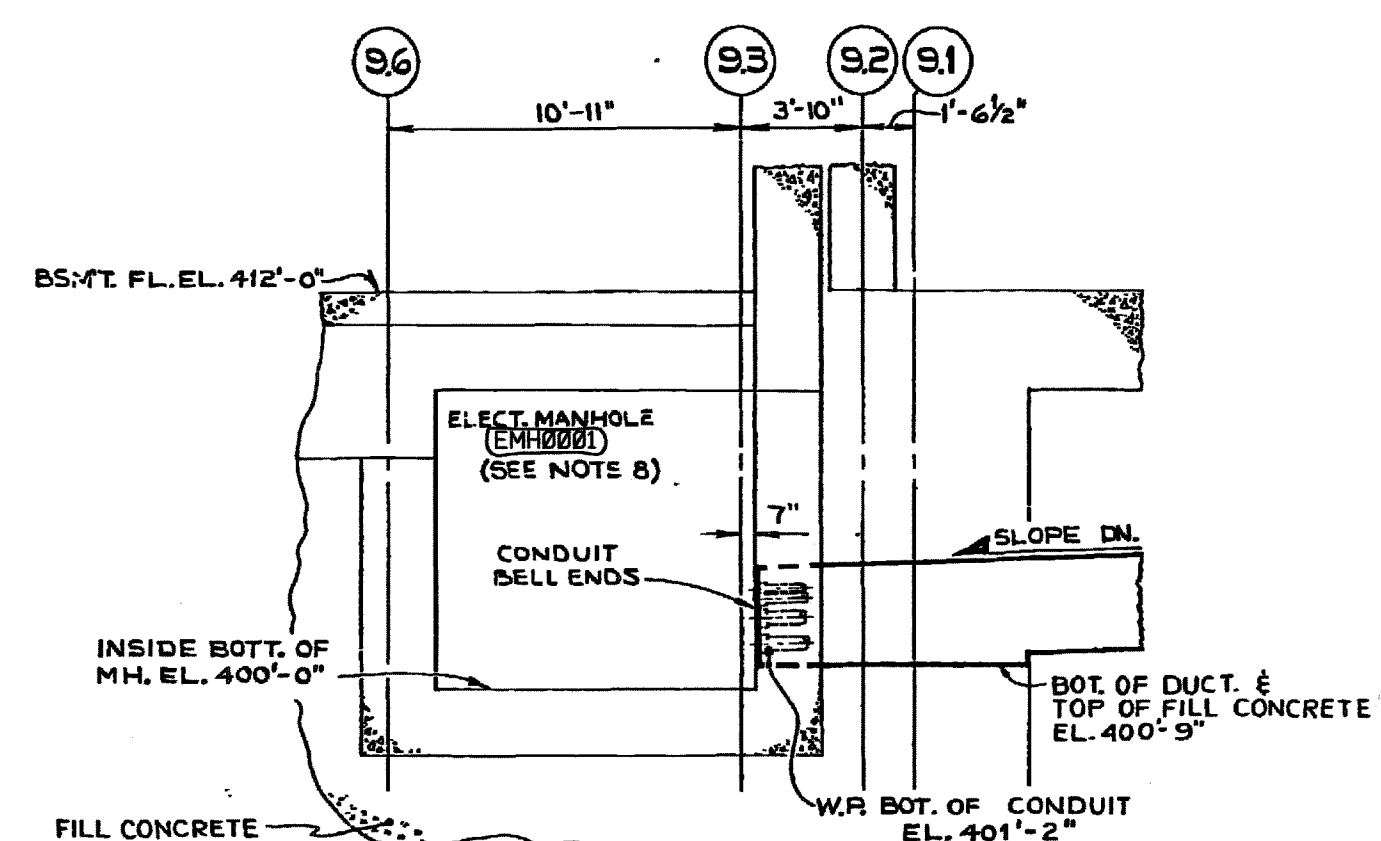
SECT. 2-2
SCALE: 3/4"=1'-0"
(COORD. C-14)



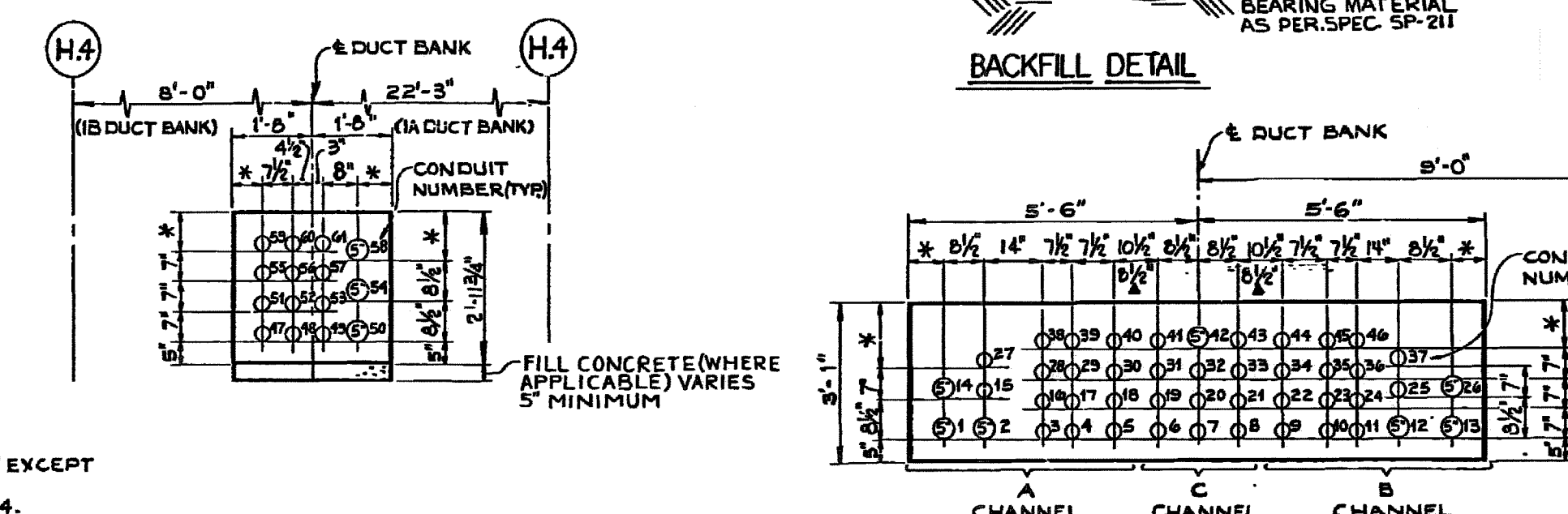
BACKFILL DETAIL



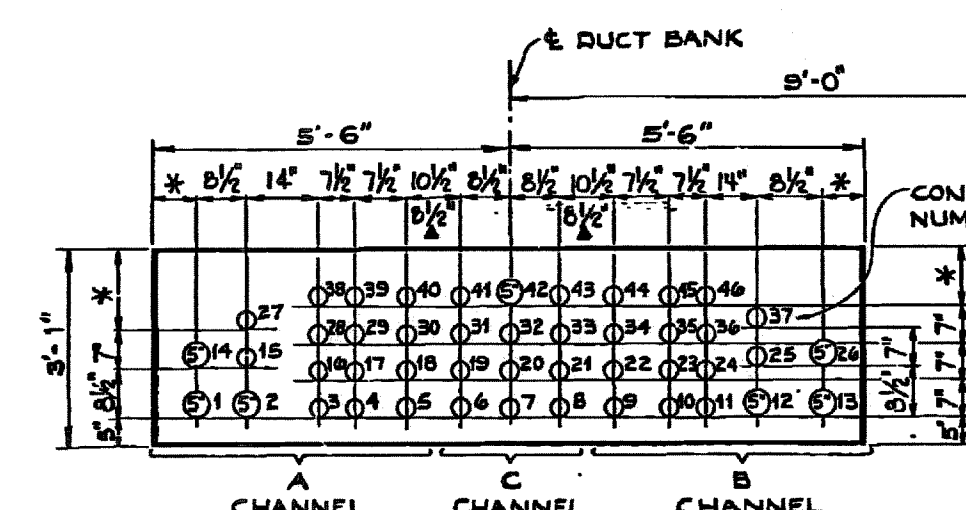
SECT. 3-3
SCALE: 3/4"=1'-0"
(COORD. C-16)



SECT. 5-5
SCALE: 3/4"=1'-0"
(COORD. D-16)



SECT. 4-4
SCALE: 1/2"=1'-0"
(COORDS. B-12 & C-12, 16)



SECT. 9-9
SCALE: 1/2"=1'-0"
(COORD. D-16)

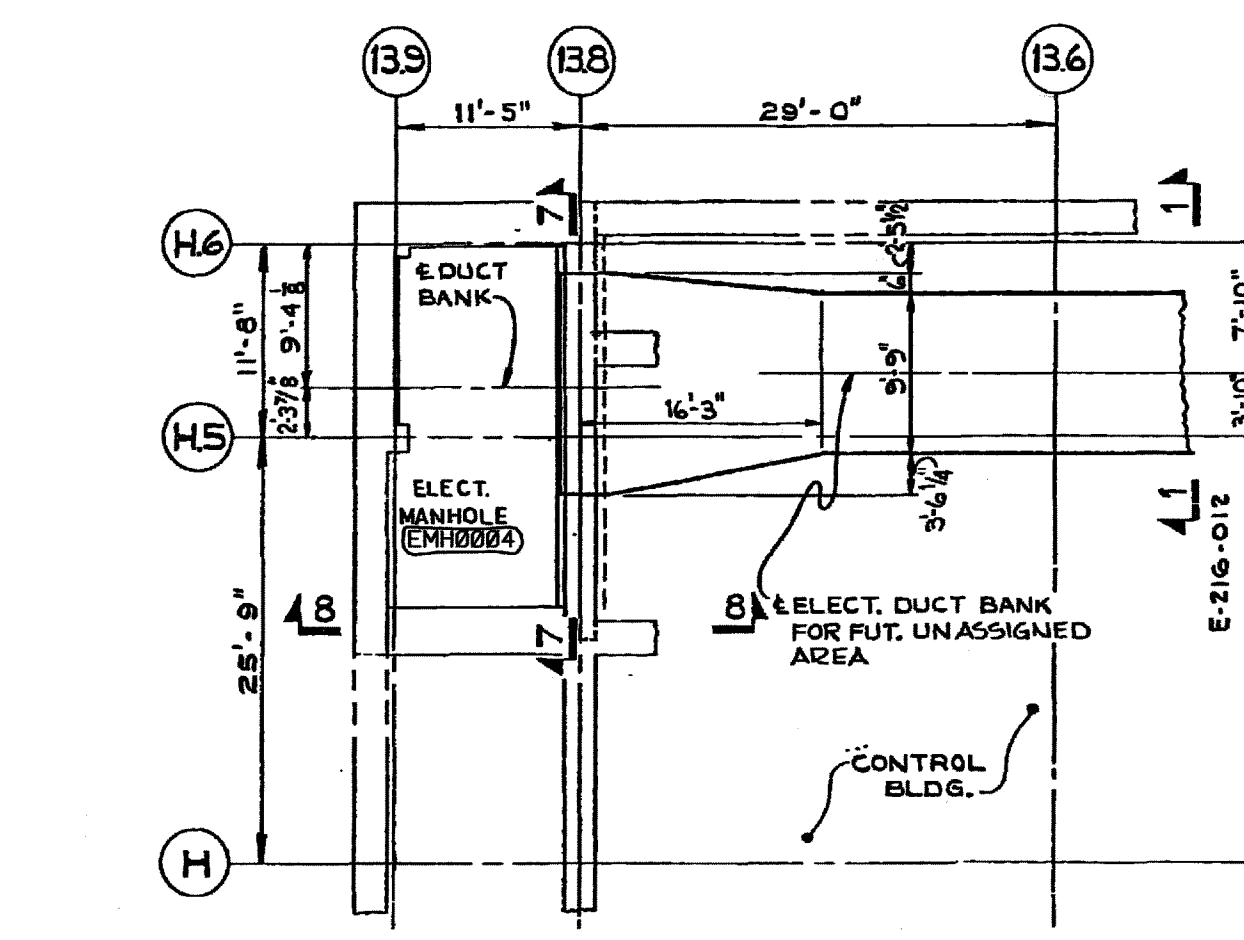
- REFERENCES:-
E-214-105 ARRANGEMENT OF CABLE TRAYS - ELECTRICAL MANHOLES
E-215-105 CONDUIT LAYOUT - ELECTRICAL MANHOLES
E-216-012 DUCT RUNS FOR DIESEL GENERATOR CIRCUITS MAIN PLANT AREA - EAST END
E-216-013 DUCT RUNS FOR DIESEL GENERATOR CIRCUITS OUTDOOR AREA - EAST END
E-216-014 DUCT RUNS FOR DIESEL GENERATOR CIRCUITS TO SERVICE WATER INTAKE STRUCTURE
E-216-017 MANHOLES, CHASE TUNNELS, TRENCHES AND DUCT RUNS - GENERAL ARRANGEMENT
E-216-011 UNDERGROUND DUCT RUNS FOR PLANT SECURITY - EAST OF PLANT.

- NOTES:
A. ALL CONDUIT 3/2" EXCEPT WHERE NOTED.
B. * SEE NOTE #3 & #4.
C. SEE CONDUIT CHART 1 - DWG. E-216-012.

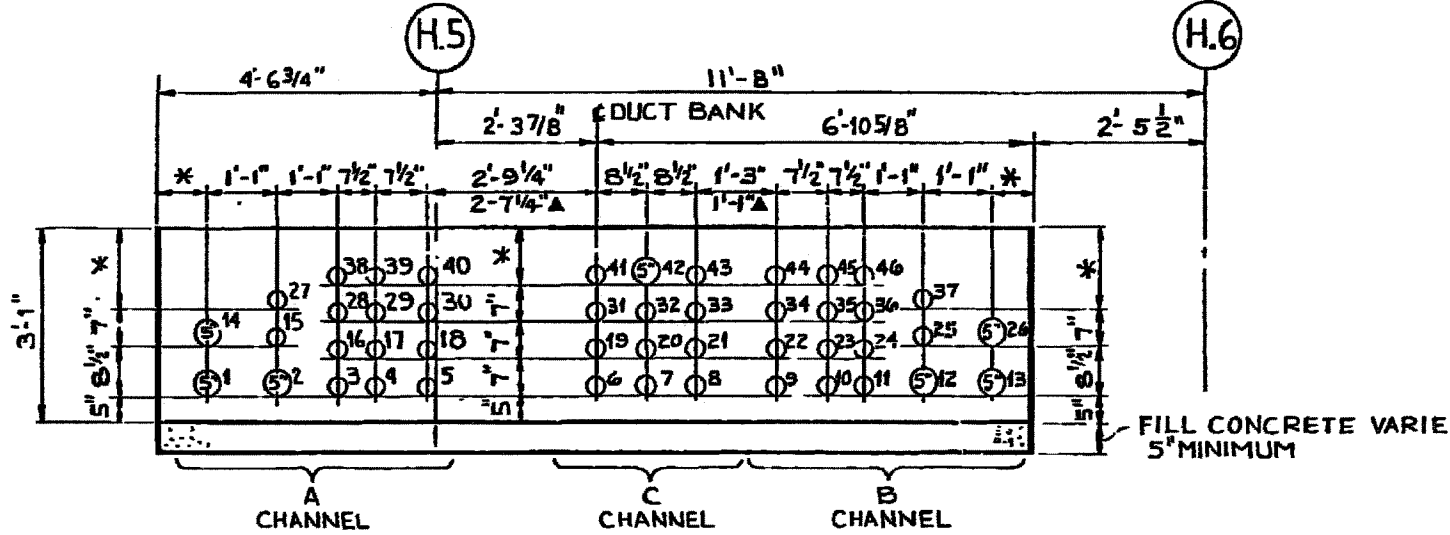
- NOTES:
A. ALL CONDUIT 3/2" EXCEPT WHERE NOTED.
B. * SEE NOTE #3 & #4.
C. SEE CONDUIT CHART #1 DWG E-216-012

- NOTES:-
1. ALL CONDUITS SHALL BE PVC SCHEDULE 40, OR ENGINEER APPROVED EQUAL.
2. ALL CONDUIT BENDS SHALL HAVE 30" MINIMUM RADIUS, UNLESS NOTED OTHERWISE.
3. CONDUIT SHALL BE POSITIONED USING PLASTIC TYPE SPACERS. SHAPE AND DIMENSIONS OF CONDUIT SPACERS ARE OPTIONAL WITH CONTRACTOR. INTERLOCK ALL SPACERS WHEN POSSIBLE AT THE OPTION OF THE FIELD OR SUPPORT CONDUIT BY STEEL USING #10 TIE TO SECURE AND MAINTAIN PROPER SEPARATION.
4. CONDUITS TO BE INSTALLED TO THE DIMENSIONS AS SHOWN WITH AN ALLOWABLE TOLERANCE OF +/- 1/8", EXCEPT IN INSTANCES WHERE A REVISION OF +/- 1/4" WILL BE ALLOWED IN ORDER TO CLEAR REINFORCING STEEL. (SEE NOTE 11). THESE PERMISSIBLE DEVIATIONS SHALL OVERRIDE THOSE TOLERANCES LISTED IN SPECIFICATION 222. DIMENSIONAL DIFFERENCES DUE TO TOLERANCES SHALL BE MADE UP IN AREAS MARKED WITH *, HOWEVER, NOTE 5 SHALL NOT BE VIOLATED.
5. ALL CONDUITS SHALL HAVE A MINIMUM COVERAGE OF 5" OF CONCRETE ON ALL SIDES.
6. CONDUITS SHALL BE TERMINATED WITH BELL ENDS AT EACH END OF THE ROW, UNLESS NOTED OTHERWISE.
7. THIS DRAWING TO BE WORKED IN CONJUNCTION WITH STRUCTURAL DWGS. E-414-001, E-414-002, E-434-000, E-434-011, E-434-013, AND E-434-015.
8. FIRE BARRIERS FOR CHANNEL SEPARATION WILL BE SHOWN ON DUCT RUN CONDUIT LAYOUT DWG. E-215-105. BARRIER SUPPORTS WILL BE DETAILED ON STRUCTURAL DRAWINGS, CABLE TRAYS WILL BE SHOWN ON DWG. E-214-105.
9. NWS - INDICATES CONDUITS FOR NON-NUCLEAR SAFETY RELATED CIRCUITS. ALL OTHER CONDUITS ARE FOR SAFETY RELATED CIRCUITS.
10. ALL CONDUIT, CONDUIT FITTINGS, AND MISCELLANEOUS HARDWARE SHALL BE NON-NUCLEAR SAFETY RELATED MATERIAL. CONDUITS FOR SAFETY RELATED CIRCUITS SHALL BE INSTALLED IN ACCORDANCE WITH A WORK PROCEDURE AS REQUIRED BY SECTION 1' OR 3 OF THE SPECIFICATION 222.
11. PVC EXPANSION FITTINGS MAY BE USED AS NECESSARY TO ALLOW FOR THE THERMAL EXPANSION AND CONTRACTION OF THE PVC CONDUITS PRIOR TO POURING CONCRETE. THESE FITTINGS SHALL BE STAGGERED BETWEEN ANY ADJACENT CONDUITS
12. * - INDICATES THE MINIMUM ALLOWABLE SPACING. NO TOLERANCE WILL BE ACCEPTABLE BELOW THIS DIMENSION.

THIS IS A NUCLEAR SAFETY RELATED PROJECT. NO REVISION SHALL BE INITIATED OR PERFORMED WITHOUT BEING DOCUMENTED AND WRITTEN APPROVAL

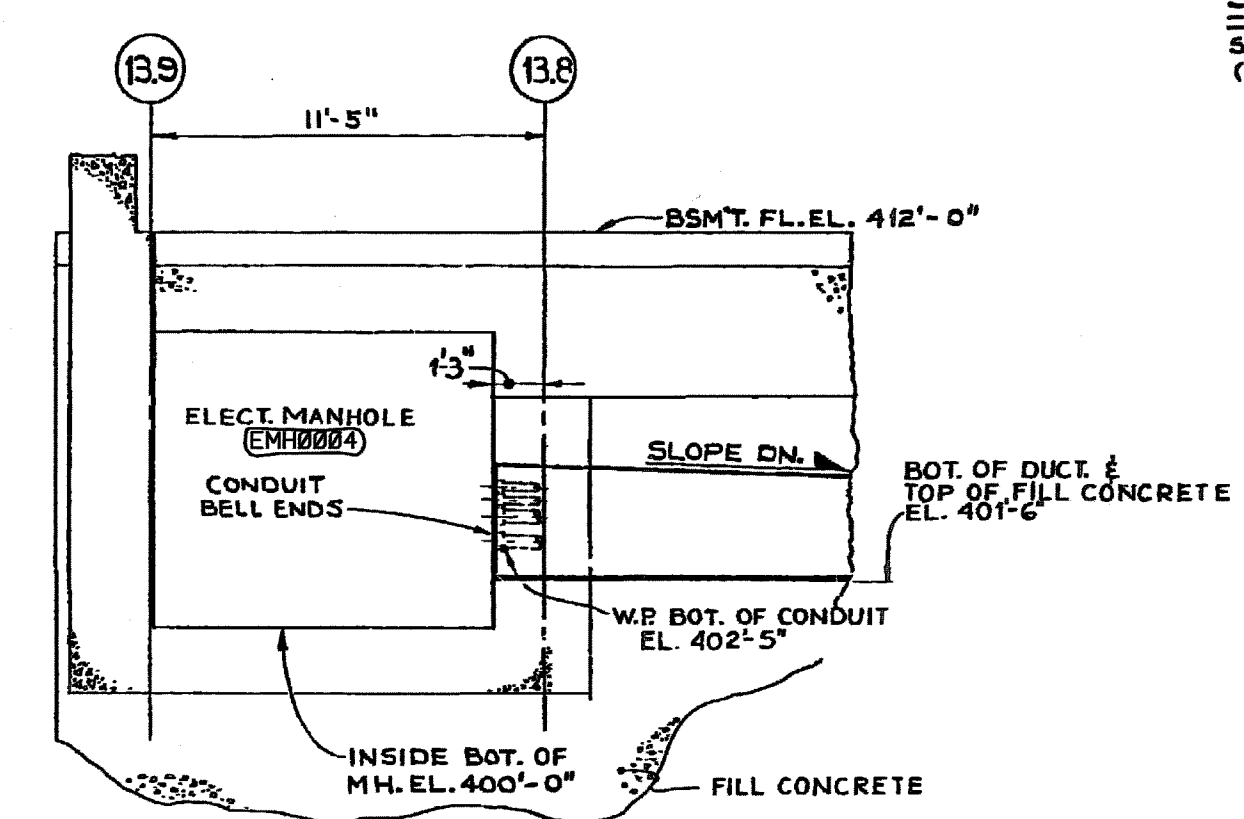


ENLARGED PLAN B
SCALE: 1/8"=1'-0"
(COORD. B-8)



SECT. 7-7
SCALE: NONE
(COORD. J-16)

- NOTES:
A. ALL CONDUIT 3/2" EXCEPT WHERE NOTED.
B. * SEE NOTE #3 & #4.
C. SEE CONDUIT CHART #1 DWG. E-216-012.



SECT. 8-8
SCALE: 3/4"=1'-0"
(COORD. J-16)

FSAR Figure 8.3-2a

SOUTH CAROLINA ELECTRIC & GAS COMPANY

VIRGIL C. SUMNER NUCLEAR STATION

ELECTRICAL

DUCT RUNS FOR DIESEL GENERATOR CIRCUITS

MAIN PLANT AREA WEST END

DESIGN ENGINEERING

DATE: 10/25/07 BY: JMR

DATE: 11/16/06 BY: LCL

DATE: 9/24/06 BY: DDJ

RN 07-026
April 2008

NO.	DATE	BY	REVISION	CHKD. BY	APPROVAL
14	10/25/07	JMR	REVISED PER ECR-70674	MGR	GC
13	08/16/06	LCL	REVISED PER ECR-52657	TMH	JEY
12	9/24/06	DDJ	REVISED PER ECR-70028	MGR	DDJ

DWG. NUMBER: E-216-011

SHT. NUMBER: 14

