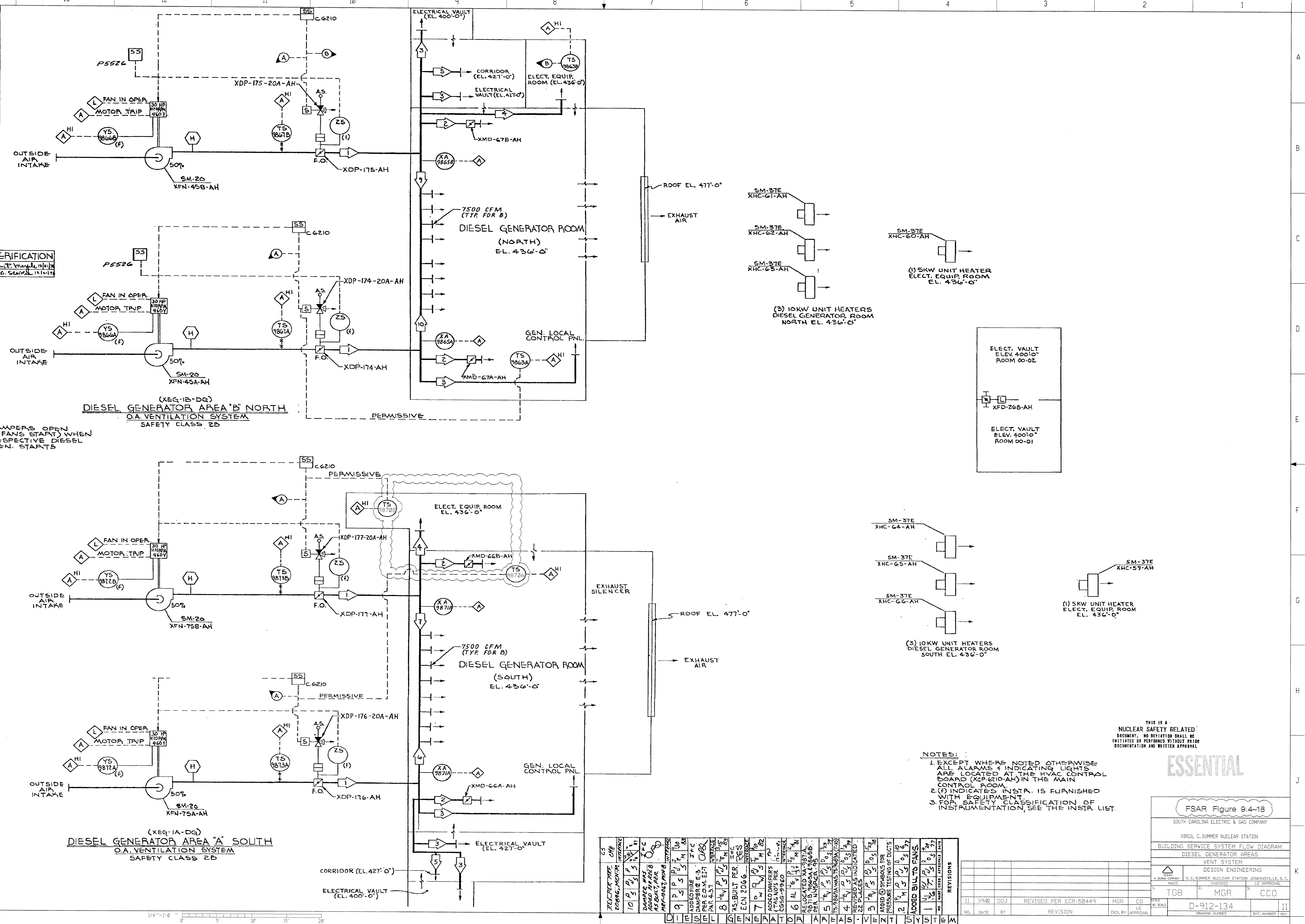


OPERATING DATA	AIR QTY. ACFM	AIR TEMP °F
1	50,000	19-95
2	16,500	19-95
3	300	19-95
4	6000	19-95
5	700	19-95
6	32,500	19-95
7	27,500	19-95
9	26,800	19-95
10	33,200	19-95

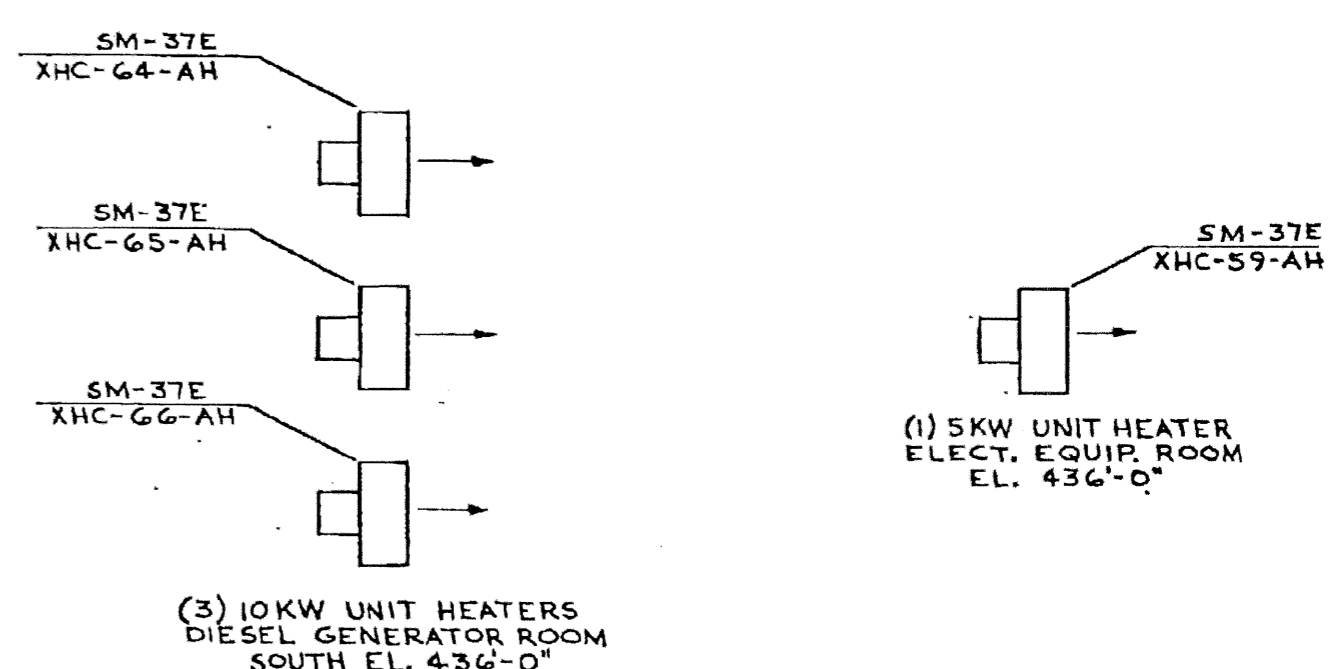
SAFETY CLASS VERIFICATION	
ORIGINATED BY	W. G. SWANSON
REVIEWED BY	W. G. SWANSON

(4 PLACES) (A) DAMPERS OPEN
 (4 FANS START) WHEN
 RESPECTIVE DIESEL
 GEN. STARTS



(XEQ-1B-DG)
DIESEL GENERATOR AREA "B" NORTH
 O.A. VENTILATION SYSTEM
 SAFETY CLASS 2B

(XEQ-1A-DG)
DIESEL GENERATOR AREA "A" SOUTH
 O.A. VENTILATION SYSTEM
 SAFETY CLASS 2B



NOTES:
 1. EXCEPT WHERE NOTED OTHERWISE ALL ALARMS & INDICATING LIGHTS ARE LOCATED AT THE HVAC CONTROL BOARD (XCP-6210-AH) IN THE MAIN CONTROL ROOM.
 2. (f) INDICATES INSTR. IS FURNISHED WITH EQUIPMENT.
 3. FOR SAFETY CLASSIFICATION OF INSTRUMENTATION, SEE THE INSTR. LIST.

THIS IS A
NUCLEAR SAFETY RELATED
 DOCUMENT. NO DEVIATION SHALL BE
 INITIATED OR PERFORMED WITHOUT PRIOR
 DOCUMENTATION AND WRITTEN APPROVAL

ESSENTIAL

FSAR Figure 9.4-18	
SOUTH CAROLINA ELECTRIC & GAS COMPANY	
VIRGIL C. SUMNER NUCLEAR STATION	
BUILDING SERVICE SYSTEM FLOW DIAGRAM	
DIESEL GENERATOR AREAS	
VENT SYSTEM	
DESIGN ENGINEERING	
V. C. SUMNER NUCLEAR STATION JENKINSVILLE, S. C.	
DATE	BY
11/7/92	DDJ
REVISION	REVISION
1	REVISED PER ECR-50449
2	MGR
3	CCO
NO. SCALE	DRAWING NUMBER
11	D-912-134
DATE	BY
11	11

NO.	DATE	BY	REVISION	CKD. BY	APPROVAL
11	7/9/92	DDJ	REVISED PER ECR-50449	MGR	CO