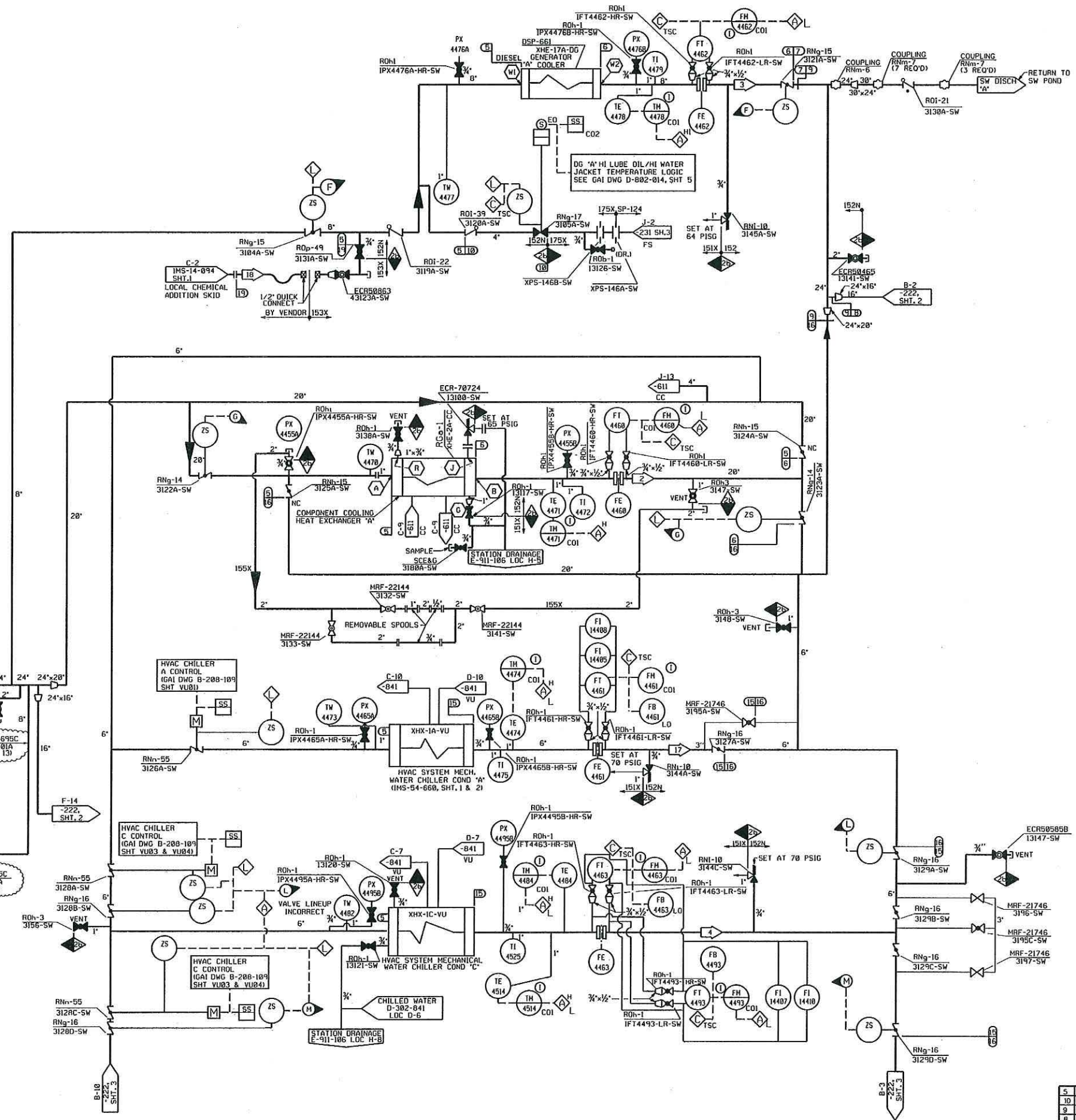


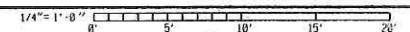
SYSTEM DATA				
ID	GPM	PSIG	F	REMARKS
2	9000	50	95	NORMAL
	7700	50	130	POST ACCID
3	1000	50	95	NORMAL
	820	50	116	POST ACCID
4	1000	45	124	NORMAL
	500	45	130	POST ACCID
17	1000	45	124	NORMAL
	500	45	130	POST ACCID
18	0.032	50	100	
				*APPROX.



- NOTES:
1. ALL PIPING TO BE LINE SPEC 152N, EXCEPT AS NOTED.
 2. TEMP CORRESPONDING TO PERTINENT HEAT EXCHANGER OUTLET.
 3. ALL STATUS LIGHT INDICATE BOTH OPEN AND CLOSED POSITIONS.
 4. * DENOTES MISSION DUO CHECK OR EQUAL.
 5. XVC03130 A/B MAY NOT PROVIDE ADEQUATE ISOLATION FOR USE AS A BOUNDARY DURING SYSTEM DRAINING. REFERENCE NCS0863 DISP. #4
 6. 1/2" QUICK CONNECT BY VENDOR 153X
 7. 1/2" QUICK CONNECT BY VENDOR 153X
 8. 1/2" QUICK CONNECT BY VENDOR 153X
 9. 1/2" QUICK CONNECT BY VENDOR 153X
 10. 1/2" QUICK CONNECT BY VENDOR 153X
 11. 1/2" QUICK CONNECT BY VENDOR 153X
 12. 1/2" QUICK CONNECT BY VENDOR 153X
 13. 1/2" QUICK CONNECT BY VENDOR 153X
 14. 1/2" QUICK CONNECT BY VENDOR 153X

HYDROSTATIC TEST TEMP. 60°									
ID	GPM	PSIG	F	REMARKS	ID	GPM	PSIG	F	REMARKS
19	50	100	N/A	N/A	25	JPM			
16	16	130	20	135	<1%	25	JPM		
15	65	130	65	135	<1%	82	JPM		
10	125	95	165	95	<1%	210	RJS		
9	16	150	20	150	<1%	25	CCS		
8	16	95	20	214	<1%	25	CCS		
7	16	124	20	130		25	MTW/LRC		
6	65	124	65	130		82	MTW/LRC		
5	65	95	65	95		82	CCS		NOTE 3
	PSIG	F	PSIG	F	DURATION	HYDRIC	BY	CHD	REMARK
	NORMAL		UPSET						

DESIGN DATA



ESSENTIAL

THIS IS A NUCLEAR SAFETY RELATED DOCUMENT. NO DEVIATION SHALL BE INITIATED OR PERFORMED WITHOUT PRIOR DOCUMENTATION AND WRITTEN APPROVAL

FSAR FIGURE 9.2-2 SH.1					
SOUTH CAROLINA ELECTRIC & GAS COMPANY					
VIRGIL C. SUMNER NUCLEAR STATION					
PIPING SYSTEM FLOW DIAGRAM					
SERVICE WATER COOLING					
A - TRAIL OUTSIDE RB					
DESIGN ENGINEERING					
DATE	BY				
10/10/00	JMR				
9/21/00	JMR				
8/20/00	RHM				
7/02/00	RHM				
6/11/00	DDJ				
NO.	DATE	BY	REVISION	CRD. BY	APPROVAL
5	9/20/00	RHM	REVISED PER ECR-50585	MGR	RS
10	5/10/00	JMR	REVISED PER ECR-50695C	RHM	WTW
9	2/10/00	JMR	REVISED PER ECR-50585	RHM	RS
8	3/20/00	RHM	REVISED PER ECR-50863	MGR	SP
7	02/20/00	RHM	REVISED PER ECR-50695C	RHM	WTW
6	11/10/00	DDJ	REVISED PER ECR50585A	MGR	RS
D-302-222		1	10		