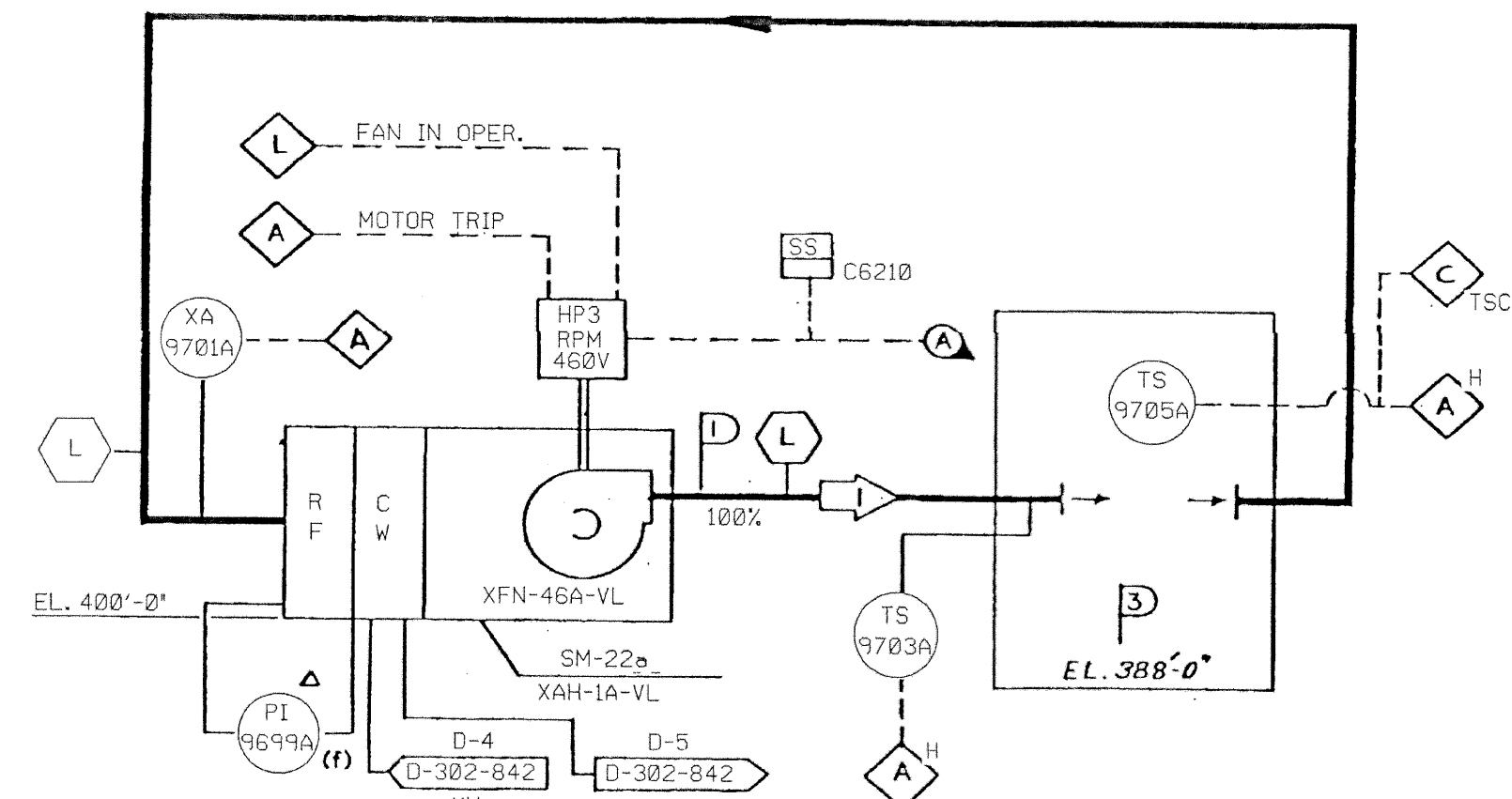
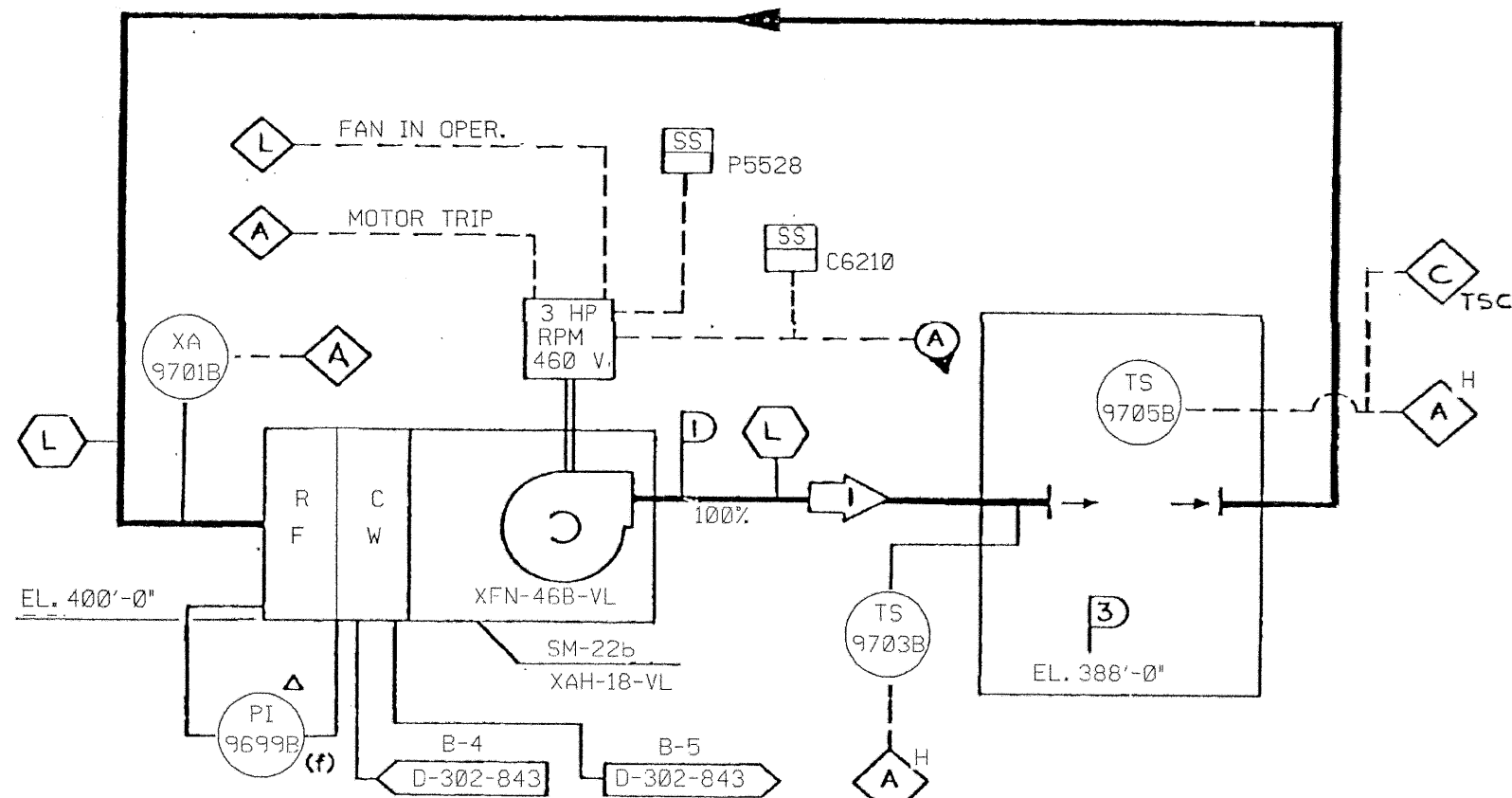


SYSTEM OPERATING DATA

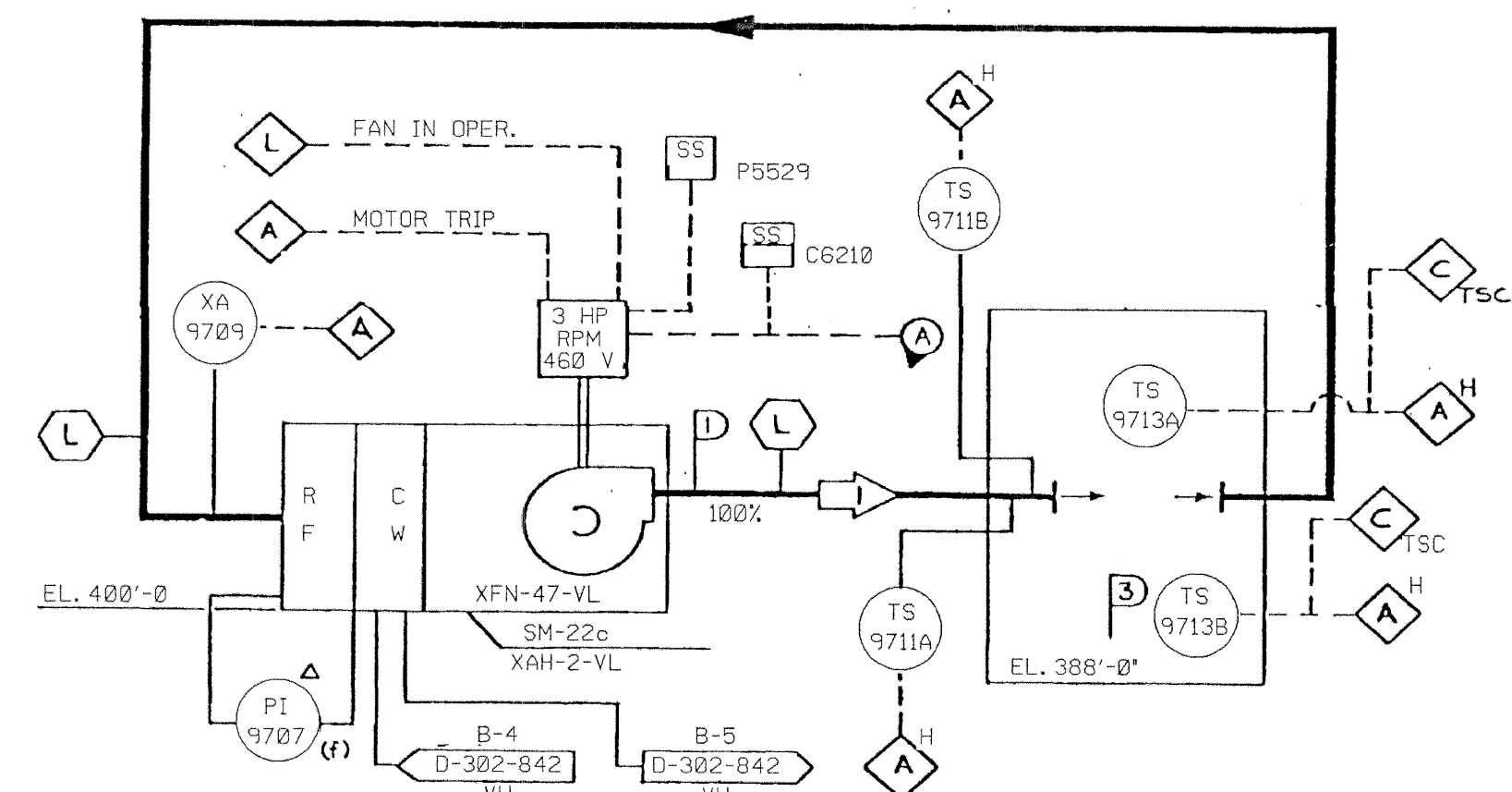
ID	AIR FLOW CFM	AIR TEMP. °F
1	3,400	55
2	3,400	55
3	2,300	55
4	4,800	55
5	5,500	55
6	6,000	60
7	3000	56



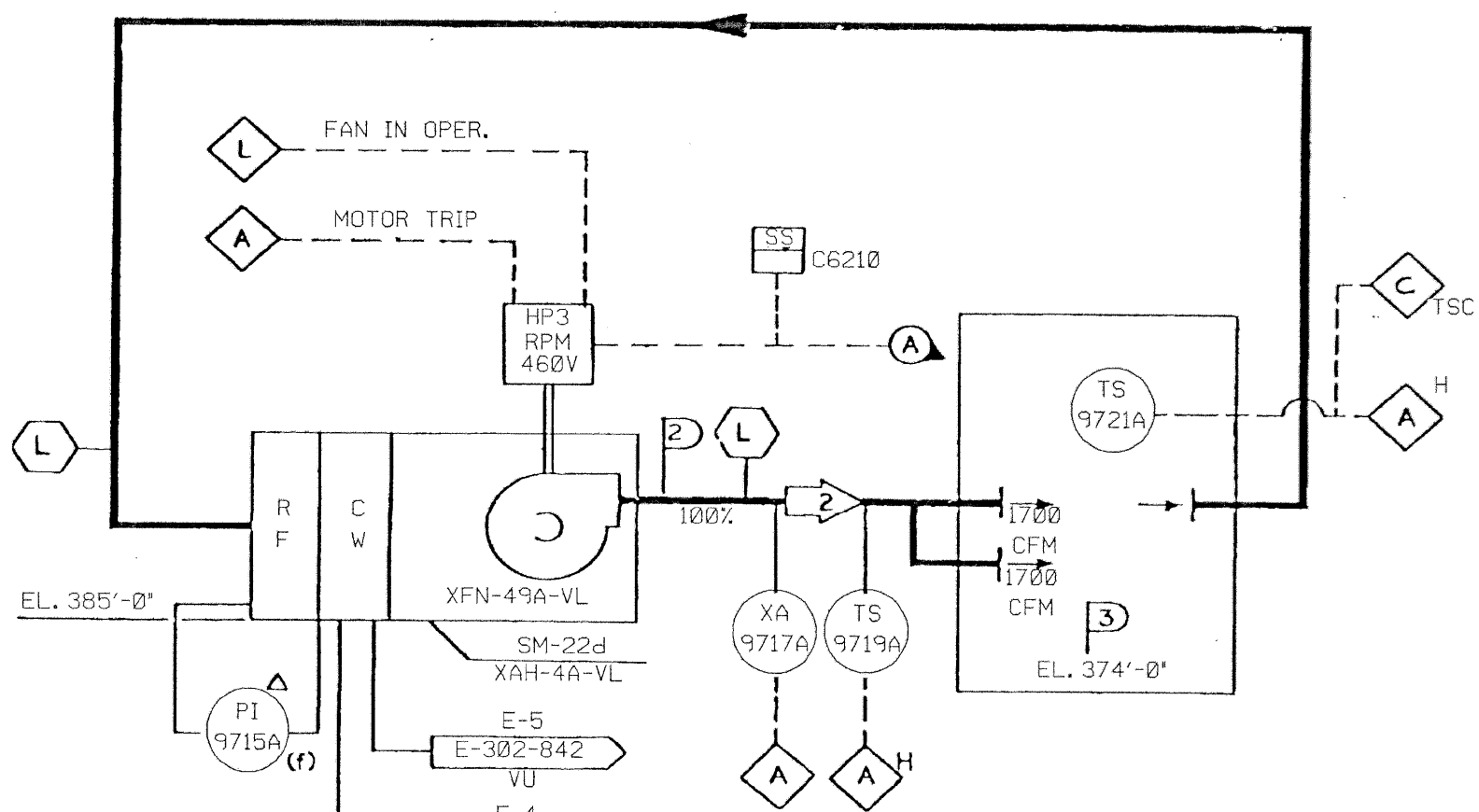
CHARGING - S.I. PUMP ROOM #1 COOLING SYSTEM



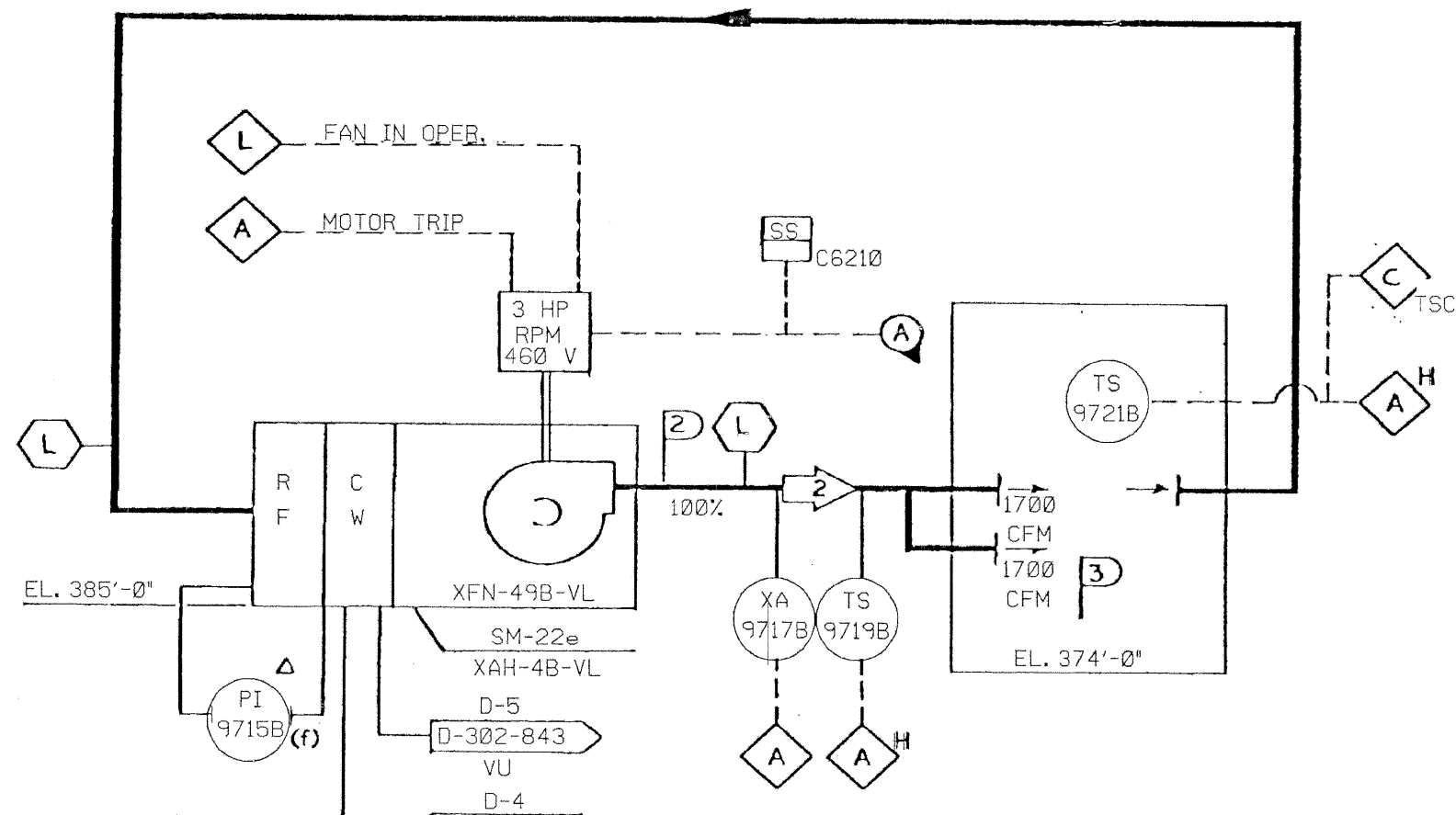
CHARGING - S.I. PUMP ROOM #3 COOLING SYSTEM



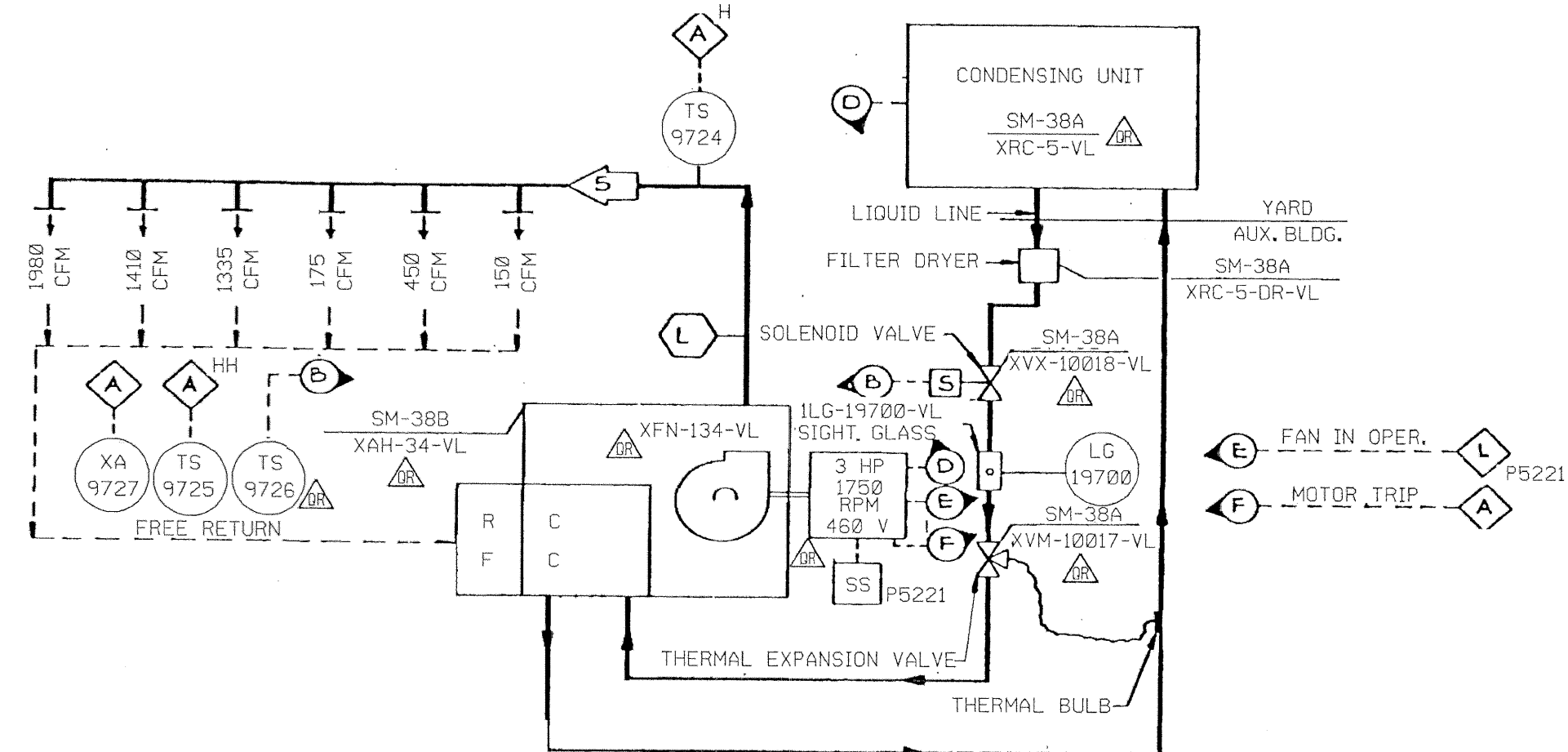
CHARGING - S.I. PUMP ROOM #2 (SWING) COOLING SYSTEM



RHR - SPRAY PUMP ROOM #1 COOLING SYSTEM

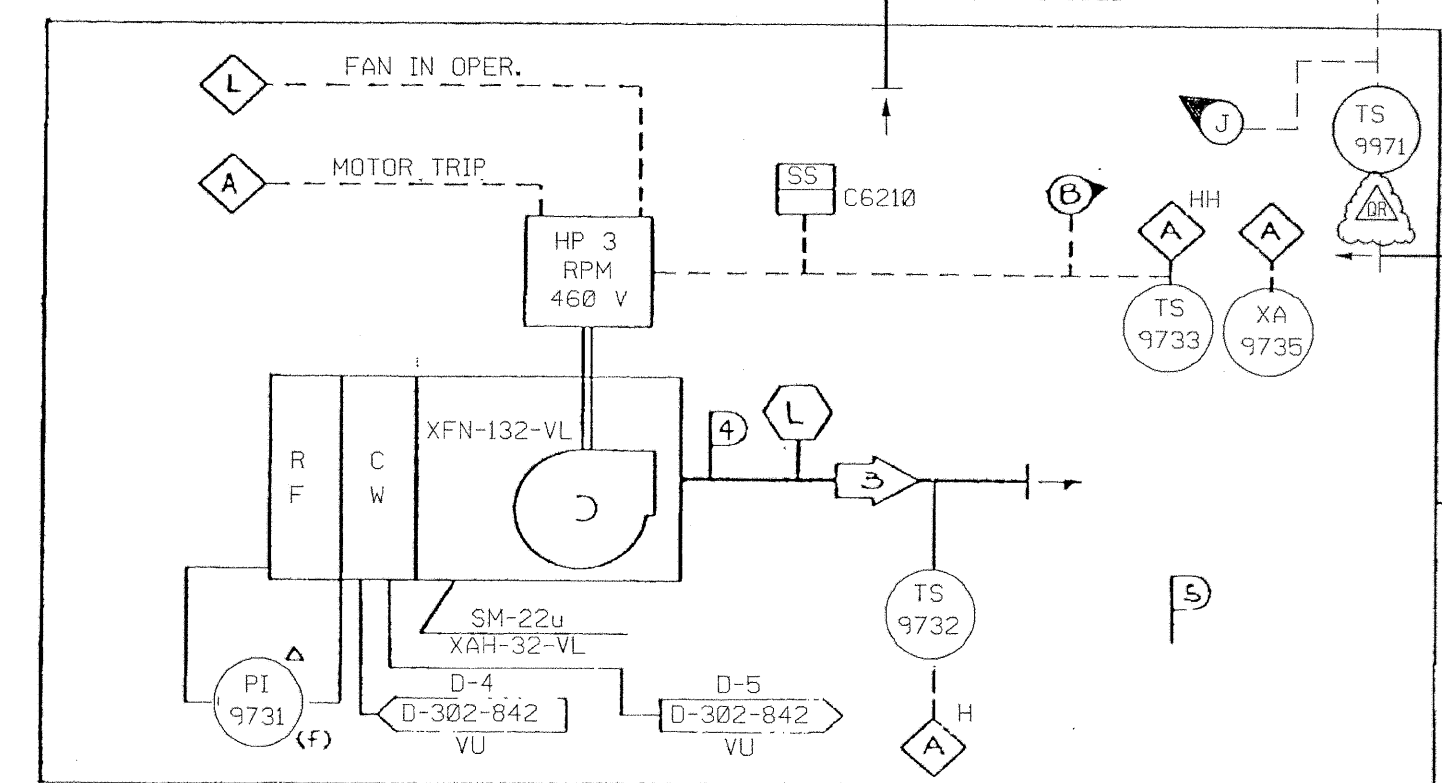


RHR - SPRAY PUMP ROOM #2 COOLING SYSTEM



AUXILIARY BUILDING MCC SWITCHGEAR AIR HANDLING UNIT NON-NUCLEAR SAFETY

- NOTES:
- EXCEPT WHERE OTHERWISE NOTED ALL ALARMS AND INDICATING LIGHTS ARE LOCATED AT THE HVAC CONTROL BOARD (XCP-6210-AH) IN THE MAIN CONTROL ROOM.
 - (f) INDICATES INSTRUMENT IS FURNISHED WITH EQUIPMENT
 - FOR SAFETY CLASSIFICATION OF INSTRUMENTS, SEE INSTRUMENT LIST.
 - ALL DUCTWORK IDENTIFIED AS OR TO BE PER ORP-4.
 - DAMPER IS NON-NUCLEAR SAFETY, ONLY DUCT IS CLASS 2b.
 - PRESSURE TIGHT DUCT CONSTRUCTION IN AB63-0-1.
 - ALL EQUIPMENT IDENTIFIED AS TO BE PER TRP-31.
- ALL SYSTEMS AND COMPONENTS ARE SAFETY CLASS 2b, EXCEPT AS NOTED.
- * QUALITY RELATED-FABRICATION, ERECTION AND INSPECTION PER SCE&G ORP FOR HVAC DUCTS AND SUPPORTS.

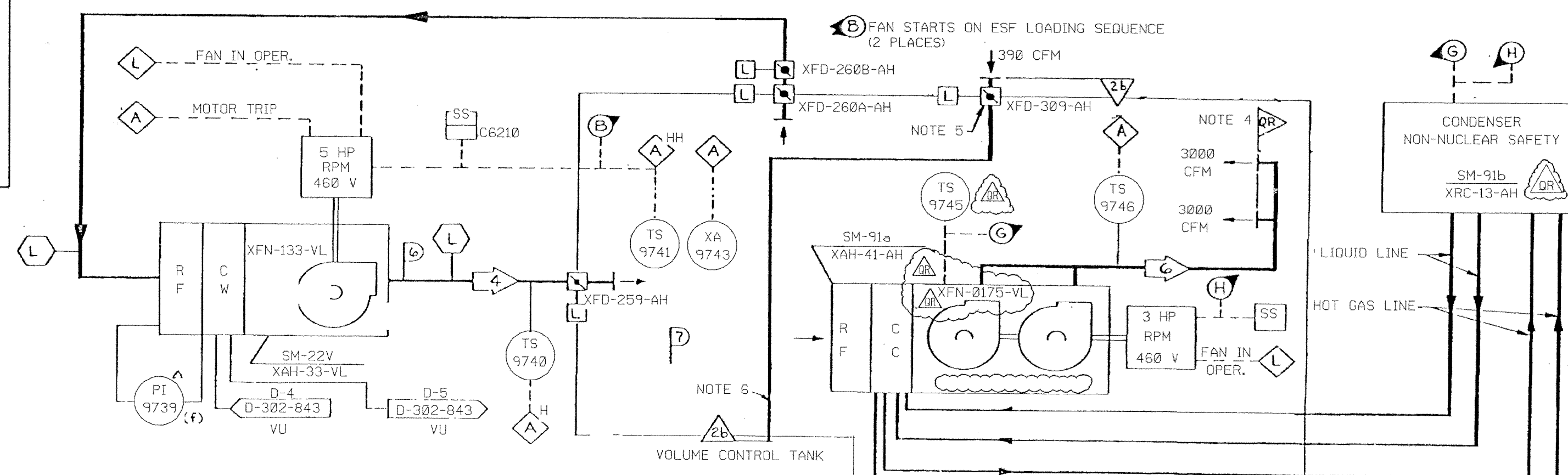


AUXILIARY BUILDING MCC SWITCHGEAR AIR HANDLING UNIT

SYSTEM DESIGN DATA

ID	AIR FLOW CFM	AIR TEMP. °F
1	3,400	55
2	3,400	55
3	-	104 MAX
4	2,300	55
5	-	85
6	4,800	55
7	-	85
8	3000	56

1/4" = 1'-0"



AUXILIARY BUILDING MCC SWITCHGEAR AIR HANDLING UNITS

ELEVATION 463'-0"

ESSENTIAL

NO.	DATE	BY	REVISION	APP. BY	DATE
21	10/5/00	JMR	REVISED PER ECR-50295	MGR	FM
20	9/23/94	RHM	REVISED PER MRF-21511 & MRF-22009	MGR	JMG
19	04/20/93	JMH	REVISED PER CGSS-93-0328	DVW	CAA

FSAR Figure 9.4-10

SOUTH CAROLINA ELECTRIC & GAS COMPANY

VIRGIL C. SUMNER NUCLEAR STATION

BUILDING SERVICE SYSTEM FLOW DIAGRAM

AUXILIARY BUILDING

PUMP ROOM COOLING SYSTEM

DESIGN ENGINEERING

DESIGNED BY: V. C. SUMNER NUCLEAR STATION, JENKINSVILLE, S. C.

CHECKED BY: JMH

APPROVED BY: DVW

DATE: 04/20/93

DRAWING NUMBER: D-912-132

SHEET NUMBER: 21