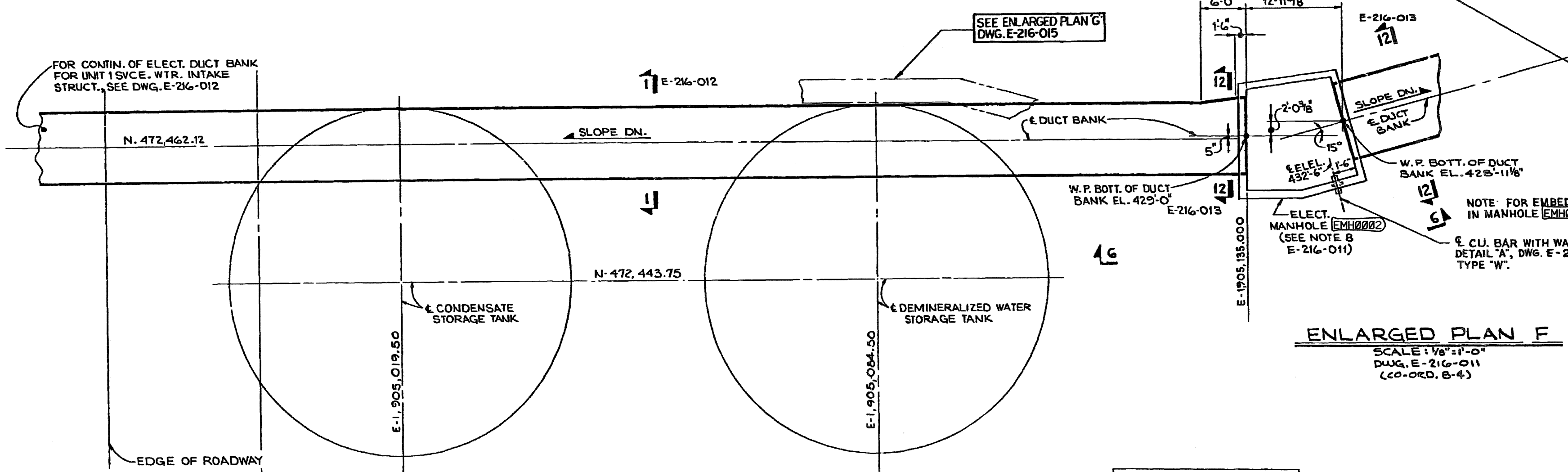
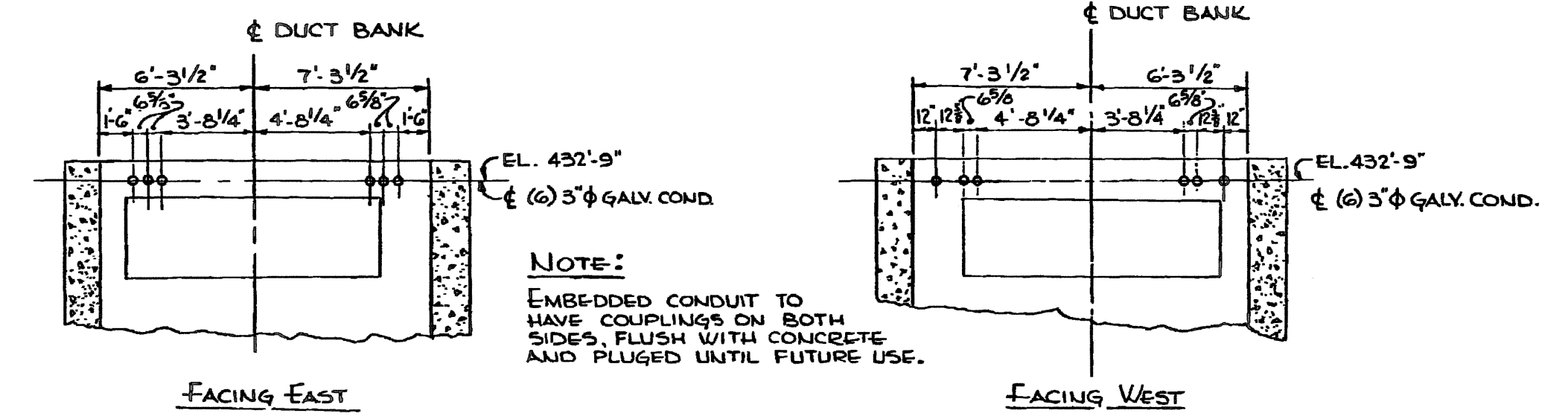


ELECT. DUCT BANK TO FORWARDING & OIL UNLOADING AREA - SEE DWG. E-216-020.

FOR ADDITIONAL UNDERGROUND DUCTS IN THIS AREA, SEE DWG. E-216-011, SH.2



SEE BACKFILL DETAIL DWG. E-216-011



DETAIL "H"
 LOCATION OF EMBEDDED CONDUIT -
 INSIDE WALL ELEVATIONS - MANHOLE EMH0202

- REFERENCES:-
- E-216-011 DUCT RUNS FOR DIESEL GEN. CIRCUITS MAIN PLANT AREA - BEST EMB
 - E-434-006 MISCELLANEOUS OUTDOOR STRUCTURES - YARD DUCT RUN - TURBINE BUILDING TO SERVICE WATER INTAKE STRUCTURE
 - E-434-007 MISCELLANEOUS OUTDOOR STRUCTURES - ELECTRICAL MANHOLE EMH0202
 - REINFORCING DETAILS

SEE NOTES 9A19B (E-216-011)
 THIS IS A NUCLEAR SAFETY RELATED WORK. NO RELIEF SHALL BE INITIATED OR PERFORMED WITHOUT PRIOR APPROVATION AND WRITTEN APPROVAL.

FSAR Figure 8.3-2d

SOUTH CAROLINA ELECTRIC & GAS COMPANY

VIRGIL C. SUMMER NUCLEAR STATION

ELECTRICAL

DUCT RUNS FOR DIESEL GENERATOR CIRCUITS TO SERVICE WATER INTAKE STRUCTURE

DESIGN ENGINEERING

V. C. SUMMER NUCLEAR STATION - JENKINSVILLE, S.C.

1. MADE	DDJ	2. CHECKED	MGR	3. LE APPROVAL	DDJ
---------	-----	------------	-----	----------------	-----

DRAWING NUMBER: E-216-014
 SHEET NUMBER: 8

NO.	DATE	BY	REVISION	CKD. BY	APPROVAL
8	10/25/07	JMR	REVISED PER ECR-70674	MGR	GC
7	08/10/06	LCL	REVISED PER ECR-50557	TMH	JEY
6	9/24/01	DDJ	REVISED PER ECR-70028	MGR	DDJ

