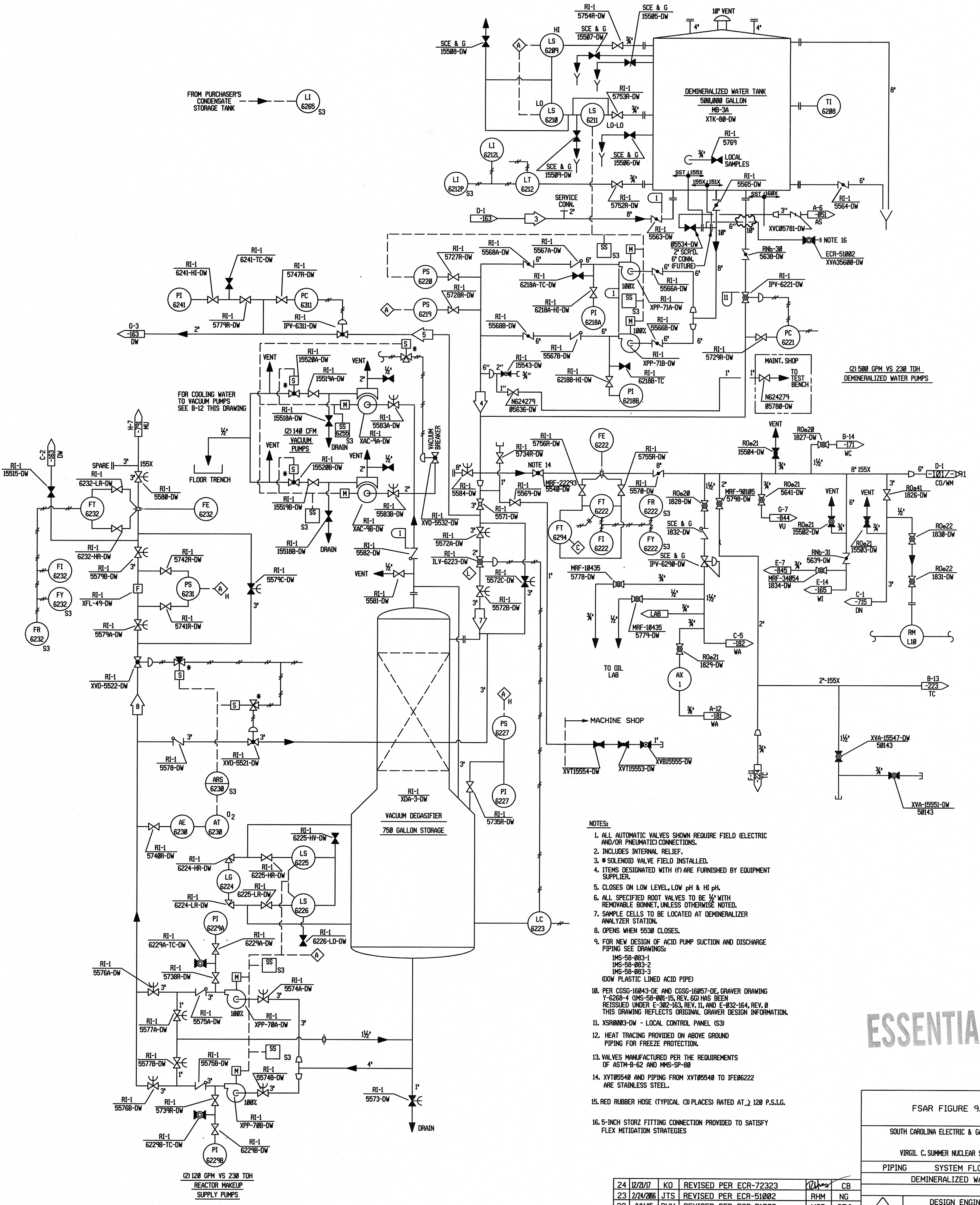
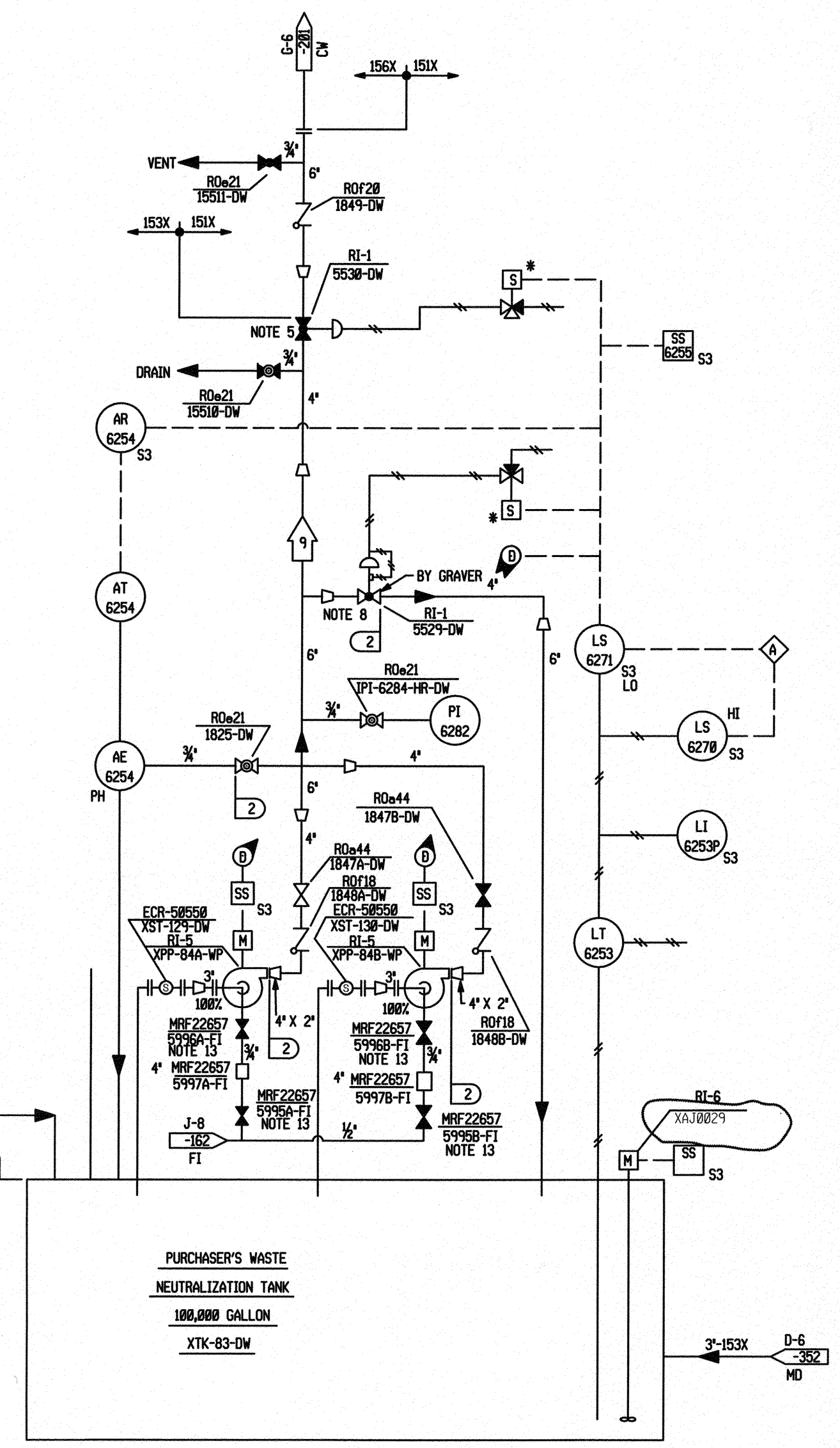
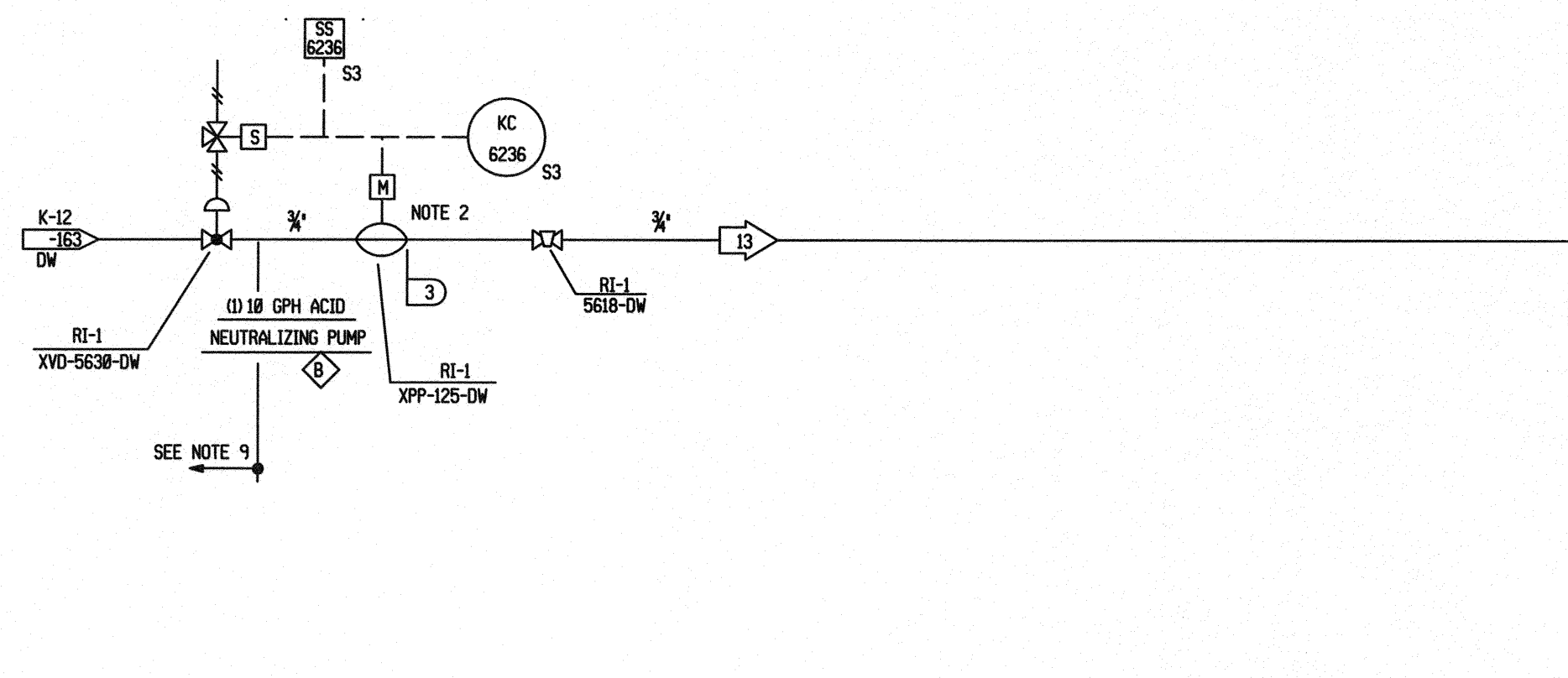
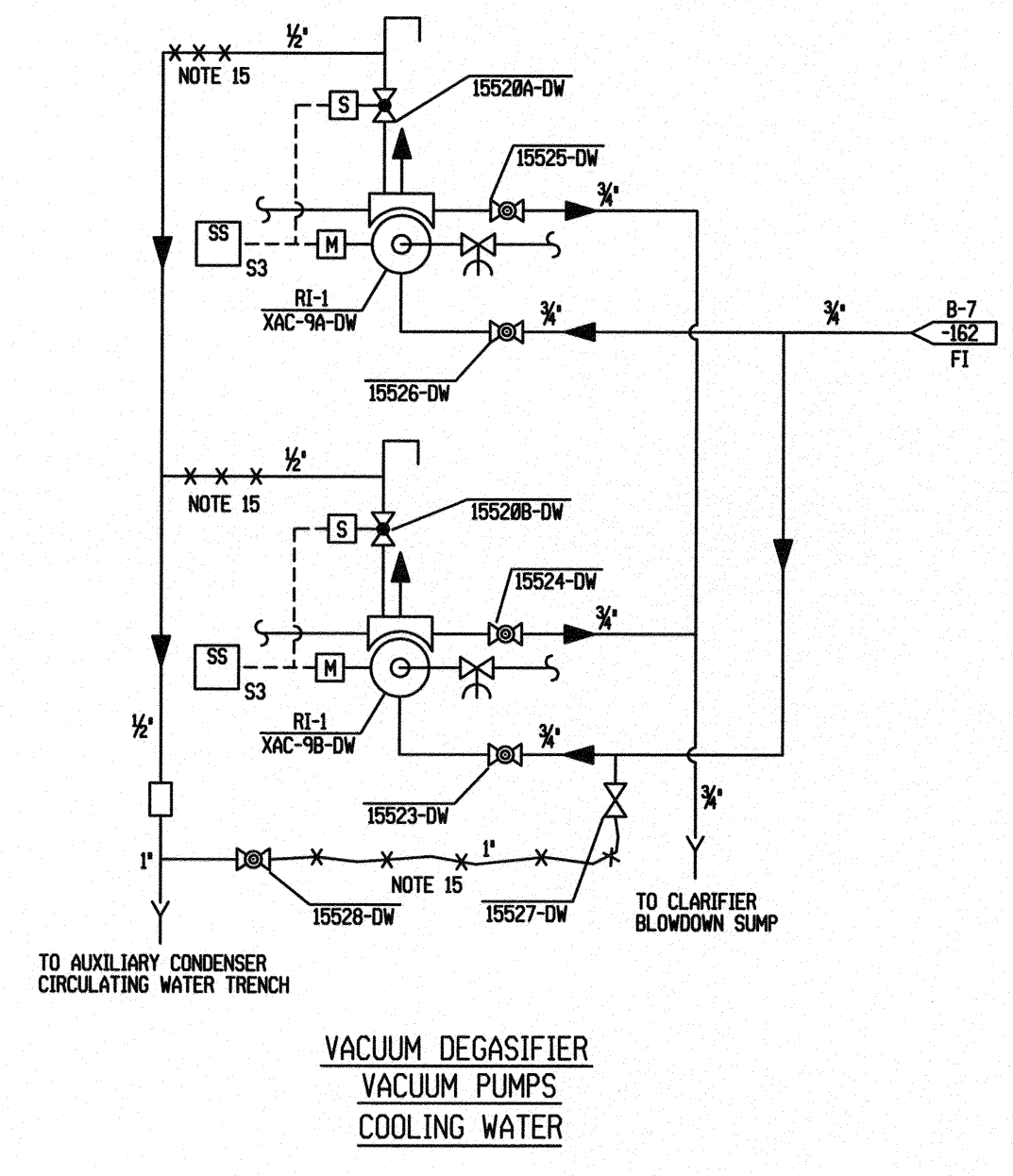


SYSTEM DATA					
#	GPM	PSIG	°F	BY	REMARKS
3	750	95	90	AM	
4	1000	100	90	AM	
5	447	100	90	GHR***	
7	150	100	90	AM	
8	120	100	90	AM	
9	500	67	90	AM	
13	18*	55	75	GHR***	GPH

*** - DURING REGENERATION
 ** - DURING NEUTRALIZATION



- NOTES:
1. ALL AUTOMATIC VALVES SHOWN REQUIRE FIELD ELECTRIC AND/OR PNEUMATIC CONNECTIONS.
 2. INCLUDES INTERNAL RELIEF.
 3. * SOLID LINE VALVE FIELD INSTALLED.
 4. ITEMS DESIGNATED WITH (V) ARE FURNISHED BY EQUIPMENT SUPPLIER.
 5. CLOSURES ON LOW LEVEL, LOW PH & HI PH.
 6. ALL SPECIFIED ROOT VALVES TO BE 1/2" WITH REMOVABLE BONNET, UNLESS OTHERWISE NOTED.
 7. SAMPLE CELLS TO BE LOCATED AT DEMINERALIZER ANALYZER STATION.
 8. OPENS WHEN 5538 CLOSURES.
 9. FOR NEW DESIGN OF ACID PUMP SUCTION AND DISCHARGE PIPING SEE DRAWINGS: IMS-59-883-1, IMS-59-883-2, IMS-59-883-3, (DOWN PLASTIC LINED ACID PIPE).
 10. PER CSSG-16043-DE AND CSSG-16057-DE GRAVER DRAWING Y-6268-4 (IMS-59-881-15, REV. 6) HAS BEEN REISSUED UNDER E-302-163, REV. 11, AND E-302-164, REV. 8. THIS DRAWING REFLECTS ORIGINAL GRAVER DESIGN INFORMATION.
 11. XSP0003-DW - LOCAL CONTROL PANEL (S3)
 12. HEAT TRACING PROVIDED ON ABOVE GROUND PIPING FOR FREEZE PROTECTION.
 13. VALVES MANUFACTURED PER THE REQUIREMENTS OF ASTM B-82 AND IMS-59-88
 14. XV10554-DW AND PIPING FROM XV10554-DW TO JFE6222 ARE STAINLESS STEEL.
 15. RED RUBBER HOSE (TYPICAL (3) PLACES) RATED AT ≥ 120 P.S.I.G.
 16. 5-INCH STORZ FITTING CONNECTION PROVIDED TO SATISFY FLEX MITIGATION STRATEGIES

ESSENTIAL

FSAR FIGURE 9.2-9b	
SOUTH CAROLINA ELECTRIC & GAS COMPANY	
VIRGIL C. SUMNER NUCLEAR STATION	
PIPING SYSTEM FLOW DIAGRAM	
DEMINERALIZED WATER	
DESIGN ENGINEERING	
V.C. SUMNER NUCLEAR STATION JONKINSVILLE, S.C.	
MADE	CHECKED
AVN	MGR
LE	DJC
D-302-164	
NO.	DATE
24	12/07/07
23	2/24/06
22	9/10/05
21	02/08/02
20	11/20/00
19	1/17/00
18	3/10/96
NO.	DATE
24	12/07/07
23	2/24/06
22	9/10/05
21	02/08/02
20	11/20/00
19	1/17/00
18	3/10/96
NO.	DATE
24	12/07/07
23	2/24/06
22	9/10/05
21	02/08/02
20	11/20/00
19	1/17/00
18	3/10/96
NO.	DATE
24	12/07/07
23	2/24/06
22	9/10/05
21	02/08/02
20	11/20/00
19	1/17/00
18	3/10/96
NO.	DATE
24	12/07/07
23	2/24/06
22	9/10/05
21	02/08/02
20	11/20/00
19	1/17/00
18	3/10/96
NO.	DATE
24	12/07/07
23	2/24/06
22	9/10/05
21	02/08/02
20	11/20/00
19	1/17/00
18	3/10/96
NO.	DATE
24	12/07/07
23	2/24/06
22	9/10/05
21	02/08/02
20	11/20/00
19	1/17/00
18	3/10/96
NO.	DATE
24	12/07/07
23	2/24/06
22	9/10/05
21	02/08/02
20	11/20/00
19	1/17/00
18	3/10/96
NO.	DATE
24	12/07/07
23	2/24/06
22	9/10/05
21	02/08/02
20	11/20/00
19	1/17/00
18	3/10/96
NO.	DATE
24	12/07/07
23	2/24/06
22	9/10/05
21	02/08/02
20	11/20/00
19	1/17/00
18	3/10/96
NO.	DATE
24	12/07/07
23	2/24/06
22	9/10/05
21	02/08/02
20	11/20/00
19	1/17/00
18	3/10/96
NO.	DATE
24	12/07/07
23	2/24/06
22	9/10/05
21	02/08/02
20	11/20/00
19	1/17/00
18	3/10/96
NO.	DATE
24	12/07/07
23	2/24/06
22	9/10/05
21	02/08/02
20	11/20/00
19	1/17/00
18	3/10/96
NO.	DATE
24	12/07/07
23	2/24/06
22	9/10/05
21	02/08/02
20	11/20/00
19	1/17/00
18	3/10/96
NO.	DATE
24	12/07/07
23	2/24/06
22	9/10/05
21	02/08/02
20	11/20/00
19	1/17/00
18	3/10/96
NO.	DATE
24	12/07/07
23	2/24/06
22	9/10/05
21	02/08/02
20	11/20/00
19	1/17/00
18	3/10/96
NO.	DATE
24	12/07/07
23	2/24/06
22	9/10/05
21	02/08/02
20	11/20/00
19	1/17/00
18	3/10/96
NO.	DATE
24	12/07/07
23	2/24/06
22	9/10/05
21	02/08/02
20	11/20/00
19	1/17/00
18	3/10/96
NO.	DATE
24	12/07/07
23	2/24/06
22	9/10/05
21	02/08/02
20	11/20/00
19	1/17/00
18	3/10/96
NO.	DATE
24	12/07/07
23	2/24/06
22	9/10/05
21	02/08/02
20	11/20/00
19	1/17/00
18	3/10/96
NO.	DATE
24	12/07/07
23	2/24/06
22	9/10/05
21	02/08/02
20	11/20/00
19	1/17/00
18	3/10/96
NO.	DATE
24	12/07/07
23	2/24/06
22	9/10/05
21	02/08/02
20	11/20/00
19	1/17/00
18	3/10/96
NO.	DATE
24	12/07/07
23	2/24/06
22	9/10/05
21	02/08/02
20	11/20/00
19	1/17/00
18	3/10/96
NO.	DATE
24	12/07/07
23	2/24/06
22	9/10/05
21	02/08/02
20	11/20/00
19	1/17/00
18	3/10/96
NO.	DATE
24	12/07/07
23	2/24/06
22	9/10/05
21	02/08/02
20	11/20/00
19	1/17/00
18	3/10/96
NO.	DATE
24	12/07/07
23	2/24/06
22	9/10/05
21	02/08/02
20	11/20/00
19	1/17/00
18	3/10/96
NO.	DATE
24	12/07/07
23	2/24/06
22	9/10/05
21	02/08/02
20	11/20/00
19	1/17/00
18	3/10/96
NO.	DATE
24	12/07/07
23	2/24/06
22	9/10/05
21	02/08/02
20	11/20/00
19	1/17/00
18	3/10/96
NO.	DATE
24	12/07/07
23	2/24/06
22	9/10/05
21	02/08/02
20	11/20/00
19	1/17/00
18	3/10/96
NO.	DATE
24	12/07/07
23	2/24/06
22	9/10/05
21	02/08/02
20	11/20/00
19	1/17/00
18	3/10/96
NO.	DATE
24	12/07/07
23	2/24/06
22	9/10/05
21	02/08/02
20	11/20/00
19	1/17/00
18	3/10/96
NO.	DATE
24	12/07/07
23	2/24/06
22	9/10/05
21	02/08/02
20	11/20/00
19	1/17/00
18	3/10/96
NO.	DATE
24	12/07/07
23	2/24/06
22	9/10/05
21	02/08/02
20	11/20/00
19	1/17/00
18	3/10/96
NO.	DATE
24	12/07/07
23	2/24/06
22	9/10/05
21	02/08/02
20	11/20/00
19	1/17/00
18	3/10/96
NO.	DATE
24	12/07/07
23	2/24/06
22	9/10/05
21	02/08/02
20	11/20/00
19	1/17/00
18	3/10/96
NO.	DATE
24	12/07/07
23	2/24/06
22	9/10/05
21	02/08/02
20	11/20/00
19	1/17/00
18	3/10/96
NO.	DATE
24	12/07/07
23	2/24/06
22	9/10/05
21	02/08/02
20	11/20/00
19	1/17/00
18	3/10/96
NO.	DATE
24	12/07/07
23	2/24/06
22	9/10/05
21	02/08/02
20	11/20/00
19	1/17/00
18	3/10/96
NO.	DATE
24	12/07/07
23	2/24/06
22	9/10/05
21	02/08/02
20	11/20/00
19	1/17/00
18	3/10/96
NO.	DATE
24	12/07/07
23	2/24/06
22	9/10/05
21	02/08/02
20	11/20/00
19	1/17/00
18	3/10/96
NO.	DATE
24	12/07/07
23	2/24/06
22	9/10/05
21	02/08/02
20	11/20/00
19	1/17/00
18	3/10/96
NO.	DATE
24	12/07/07
23	2/24/06
22	9/10/05
21	02/08/02
20	11/20/00
19	1/17/00
18	3/10/96
NO.	DATE
24	12/07/07
23	2/24/06
22	9/10/05
21	02/08/02
20	11/20/00
19	1/17/00
18	3/10/96
NO.	DATE
24	12/07/07
23	2/24/06
22	9/10/05
21	02/08/02
20	11/20/00
19	1/17/00
18	3/10/96
NO.	DATE
24	12/07/07
23	2/24/06
22	9/10/05
21	02/08/02
20	11/20/00
19	1/17/00
18	3/10/96
NO.	DATE
24	12/07/07
23	2/24/06
22	9/10/05
21	02/08/02
20	11/20/00
19	1/17/00
18	3/10/96
NO.	DATE
24	12/07/07
23	2/24/06
22	9/10/05
21	02/08/02
20	11/20/00
19	1/17/00
18	3/10/96
NO.	