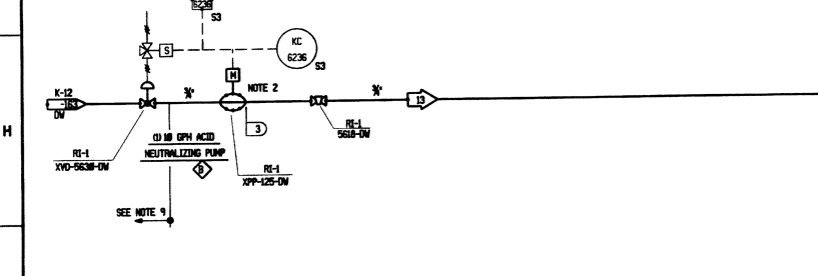
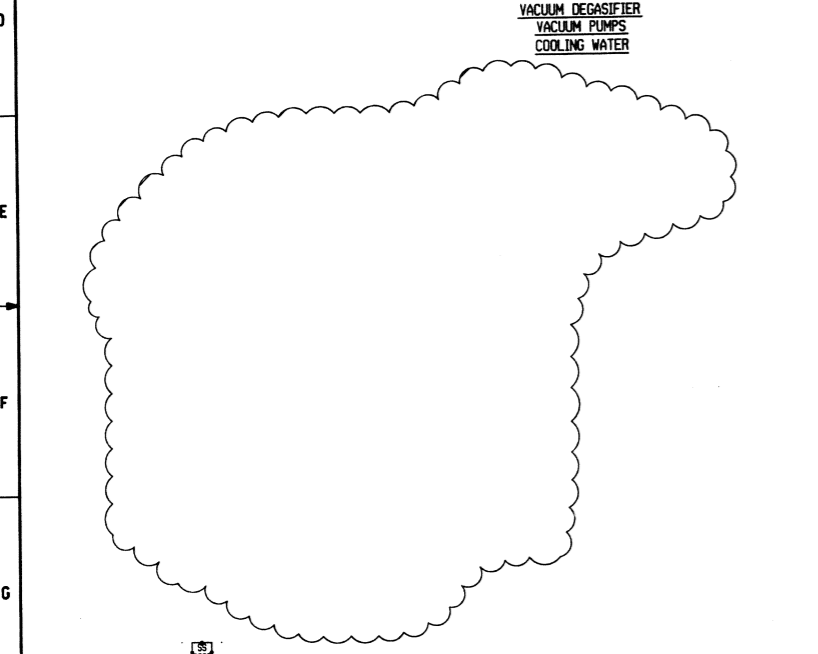
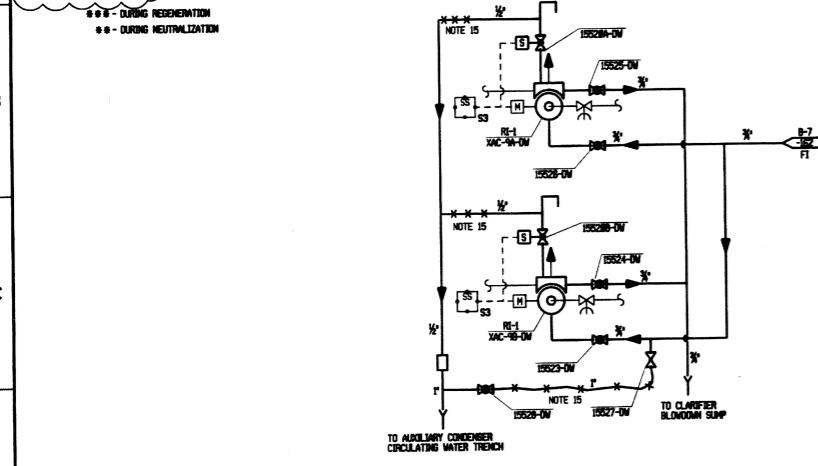
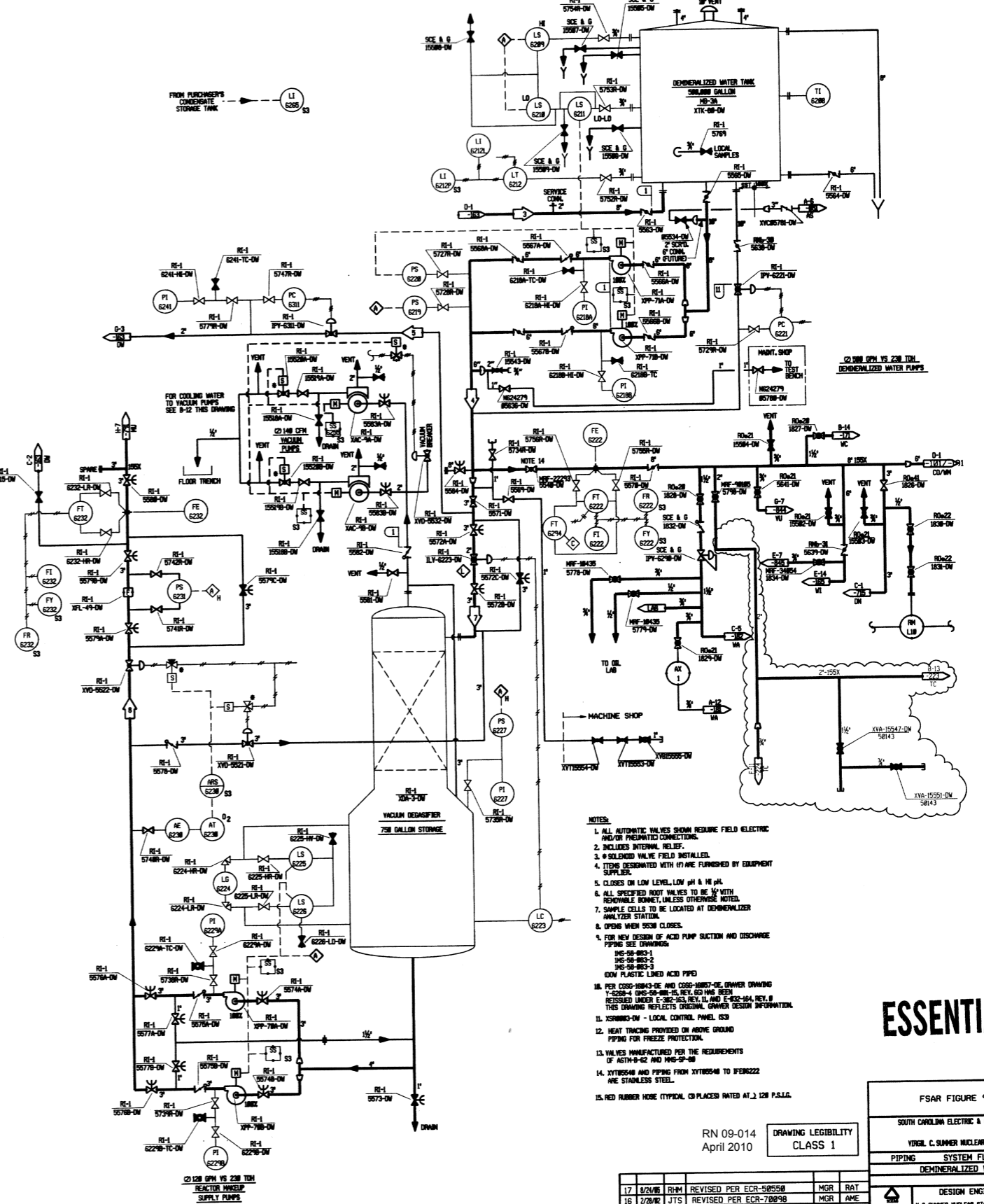
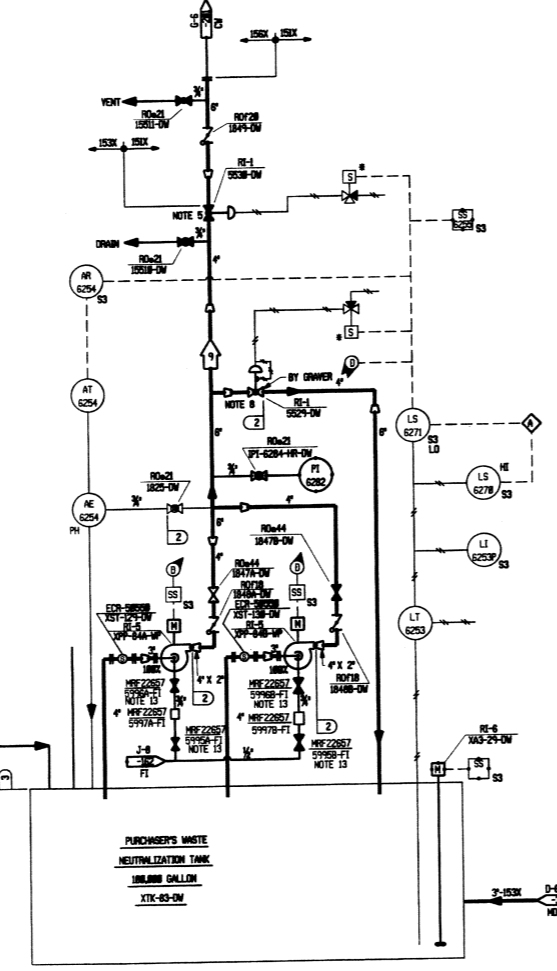


SYSTEM DATA					
#	QPN	PSG	°F	BY	REMARKS
3	750	30	90	AM	
4	1000	100	90	AM	
5	447	100	90	GR	
7	150	100	90	AM	
8	120	100	90	AM	
9	500	67	90	AM	
13	10	10	75	GR	OPN

*** - DURING REDESIGNATION
 ** - DURING NEUTRALIZATION



HYDRO TEST TEMP. - AMBIENT					
#	QPN	PSG	°F	BY	REMARKS
3	100	75	100	AM	
4	100	100	100	AM	
5	100	100	100	AM	
6	100	100	100	AM	
7	100	100	100	AM	
8	100	100	100	AM	
9	100	100	100	AM	
10	100	100	100	AM	
11	100	100	100	AM	
12	100	100	100	AM	
13	100	100	100	AM	
14	100	100	100	AM	
15	100	100	100	AM	
16	100	100	100	AM	
17	100	100	100	AM	
18	100	100	100	AM	
19	100	100	100	AM	
20	100	100	100	AM	



- NOTES:
- ALL AUTOMATIC VALVES SHOWN REQUIRE FIELD ELECTRIC AND/OR PNEUMATIC CONNECTION.
 - INCLUDES INTERNAL RELIEF.
 - SOLVED VALVE FIELD INSTALLED.
 - ITEMS DESIGNATED WITH (H) ARE FURNISHED BY EQUIPMENT SUPPLIER.
 - CLOSURE ON LOW LEVEL LOW pH & HI pH.
 - ALL SPECIFIED ROOT VALVES TO BE 1/2" WITH REMOVABLE BONNET, UNLESS OTHERWISE NOTED.
 - SAMPLE CELLS TO BE LOCATED AT DEMINERALIZER ANALYZER STATION.
 - OPENS WHEN BECOMES CLOSED.
 - FOR NEW DESIGN OF ACID PUMP SUCTION AND DISCHARGE PIPING SEE DRAWING:
 - INS-00-003-1
 - INS-00-003-2
 - INS-00-003-3
 - 100% PLASTIC LINED ACID PIPED.
 - PER 2000-10043-DE AND 2000-1007-DE, GRANGER DRAWING T-5200-4 (INS-00-003-1), REV. 03 THIS BEEN REDESIGNED UNDER E-302-103, REV. 11 AND E-302-104, REV. 10 THIS DRAWING REFLECTS ORIGINAL GRANGER DESIGN INFORMATION.
 - XTK6003-DW - LOCAL CONTROL PANEL ISS.
 - HEAT TRACING PROVIDED ON ABOVE GROUND PIPING FOR FREEZE PROTECTION.
 - VALVES MANUFACTURED PER THE REQUIREMENTS OF ASTM-A52 AND ANSI-SI-8.
 - XTK6004 AND PIPING FROM XTK6004 TO IFR222 ARE STAINLESS STEEL.
 - RED RUBBER HOSE (TYPICAL) OR PLACES RATED AT 1/2 IN. P.S.I.G.

ESSENTIAL

RN 09-014
 April 2010

DRAWING LEGIBILITY
 CLASS 1

FSAR FIGURE 9.2-9b	
SOUTH CAROLINA ELECTRIC & GAS COMPANY	
VINCE C. SUMNER NUCLEAR STATION	
PIPING SYSTEM FLOW DIAGRAM	
DEMINERALIZED WATER	
DESIGN ENGINEERING	
AVN	MGR
DJG	
D-302-164	
NO.	DATE
17	8/24/96
18	7/26/97
19	1/21/98
20	11/20/98
21	7/10/01
22	3/1/05

