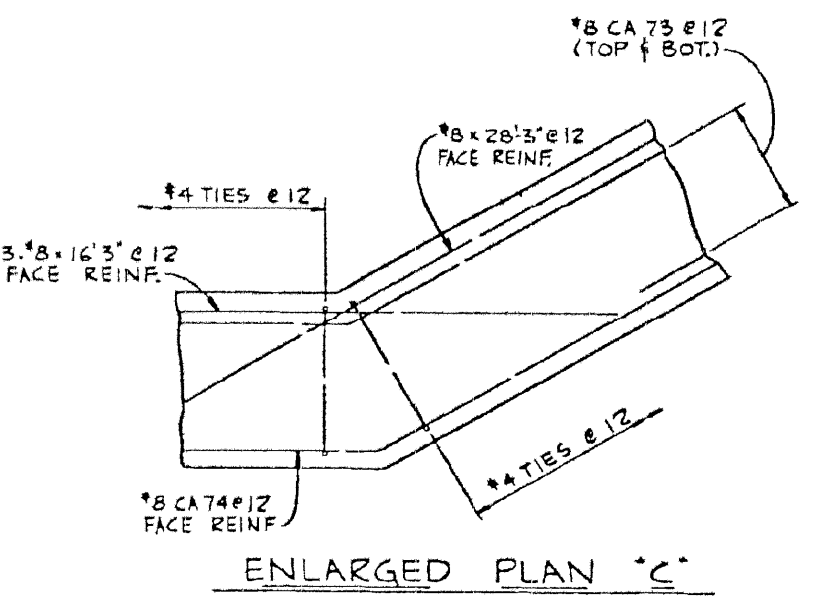
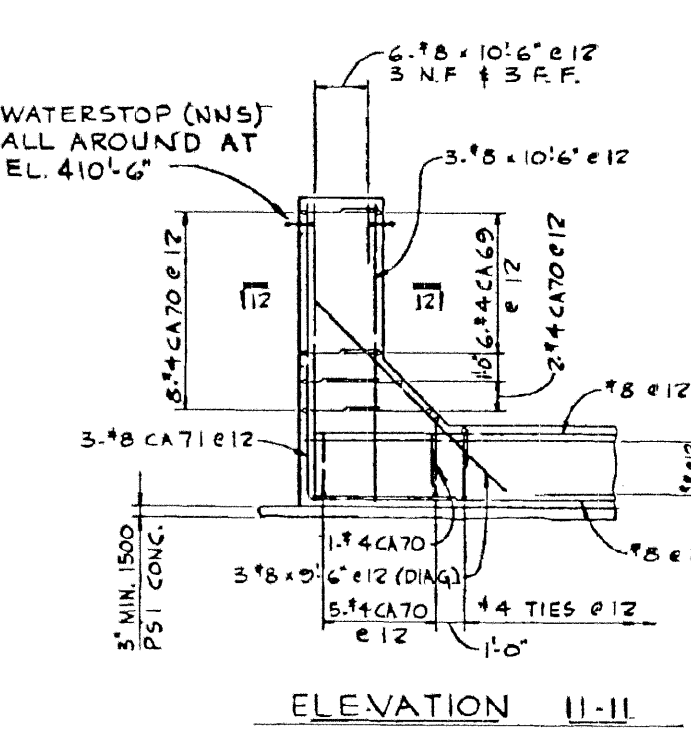
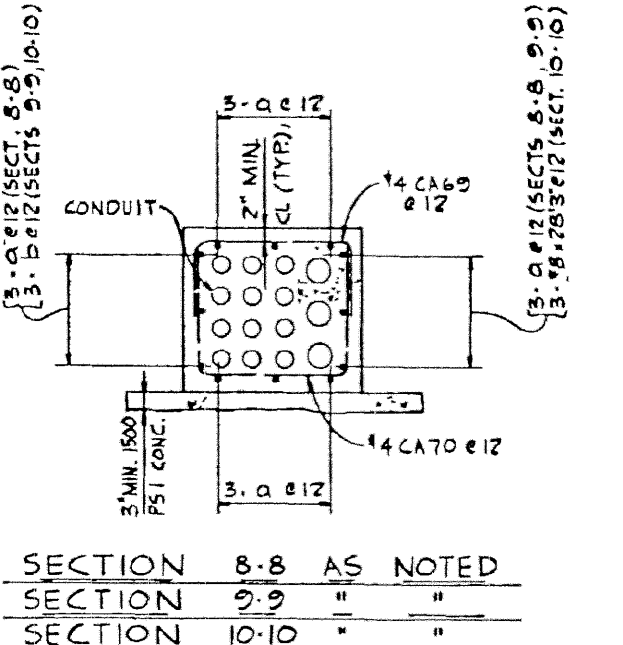
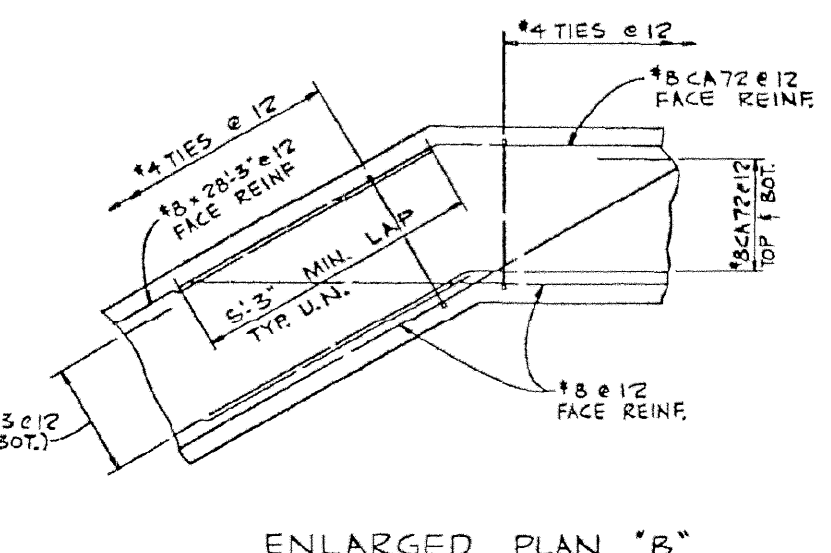
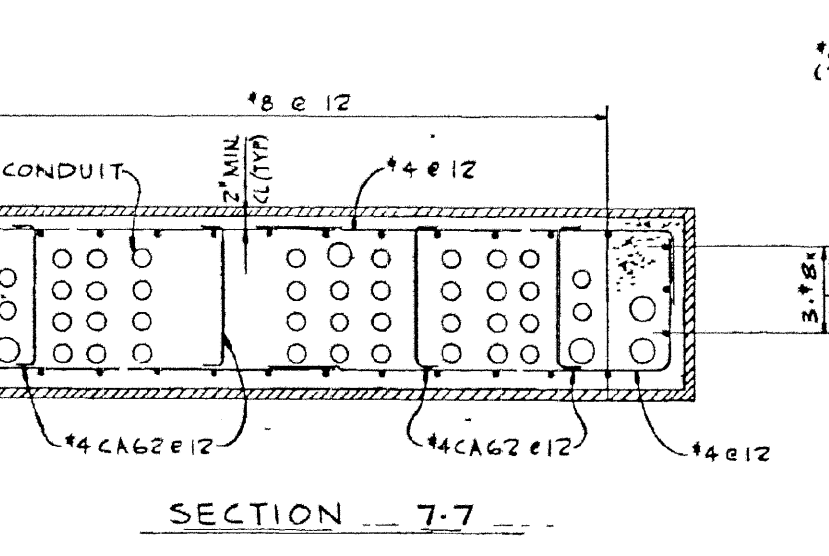
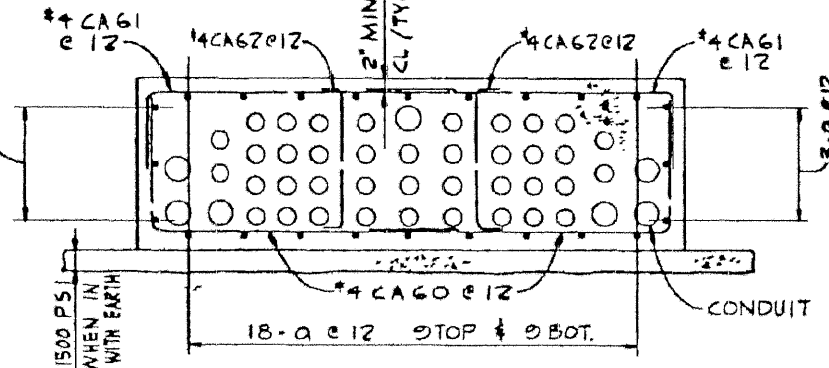
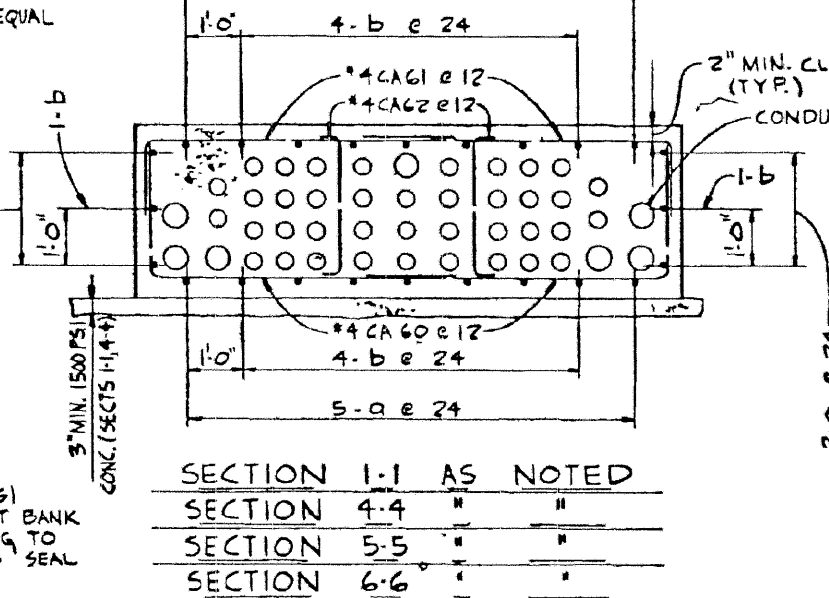
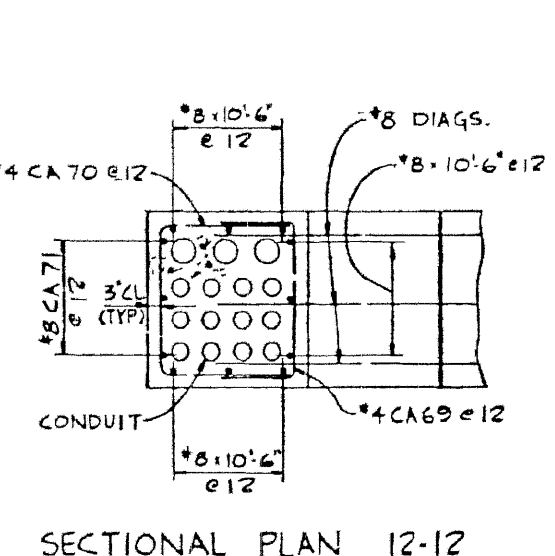
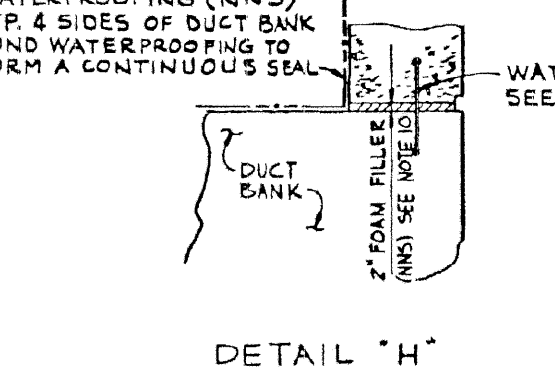
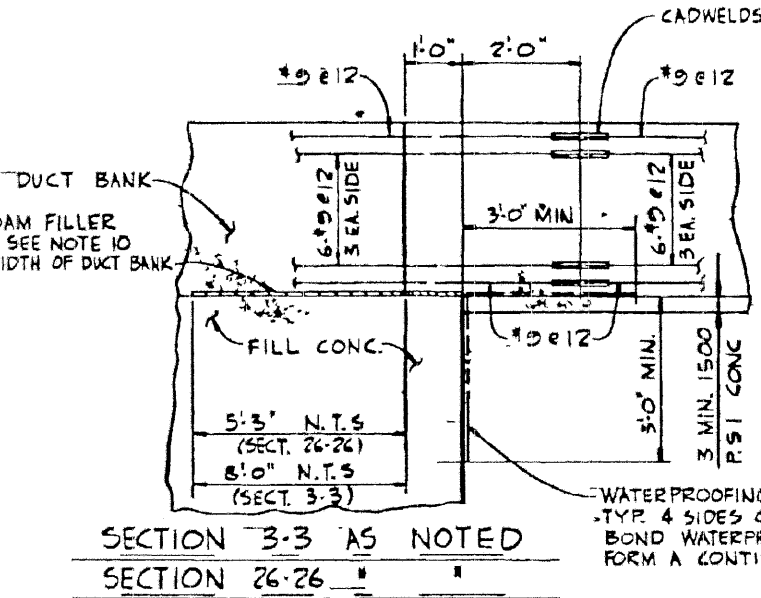
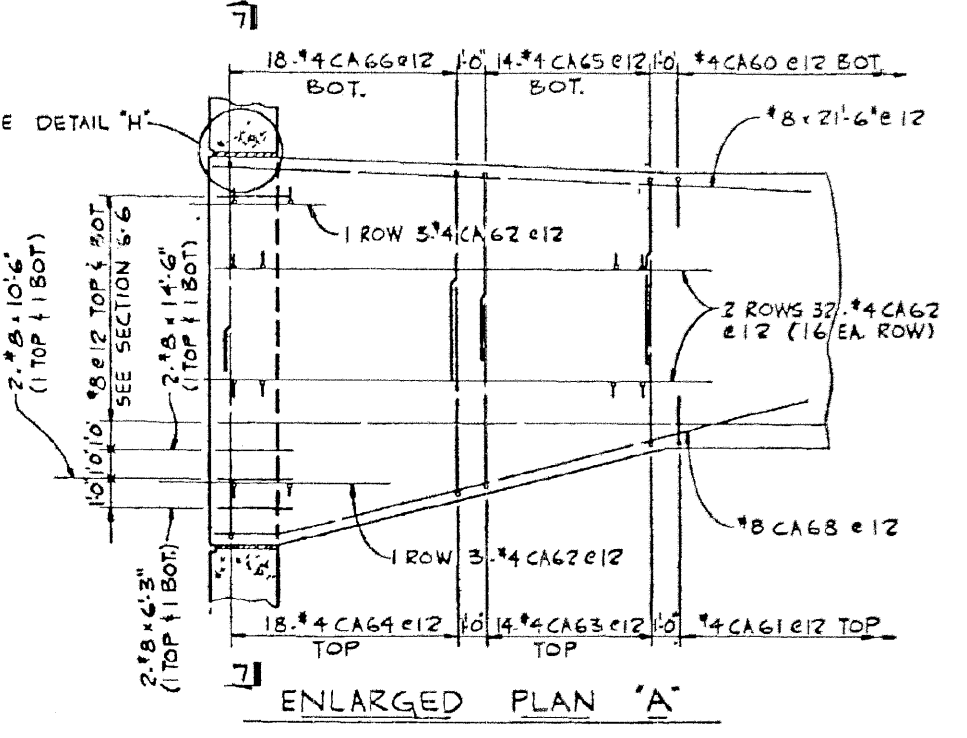


FOR ELEC. DUCT BANK DET'S (ATTN: AUX. SERV. BLDG. SECURITY ENGR. BLDG. SEE E.C.E. & CO. DWG. E-27866

SECURITY ENGINEERING BLDG.

SECTION	a	b
1-1	8'60"	8'55"
2-2	8'60"	8'55"
4-4	8'25"	8'30"
5-5	8'31"	8'25"
6-6	8'55"	8'60"
8-8	8'60"	8'60"
9-9	8'CA72	8'23"
10-10	8'CA78	8'CA74
13-13	8'60"	8'60"
14-14	8'25"	8'25"
15-15	8'20"	8'20"
19-19	8'60"	8'60"
20-20	8'15"	8'15"
21-21	8'42"	8'42"
22-22	8'CA77	8'CA78



- NOTES:
1. THE CONCRETE WORK ON THIS DRAWING IS NUCLEAR SAFETY CLASS (NSC). FOR SAFETY CLASS DESIGNATIONS OF EMBEDDED STEEL SEE REINFORCEMENT DRAWINGS. FOR STEEL WHICH ARE NON-NUCLEAR SAFETY (NNS), SPECIFICATION 701-4481-80 IS NOT APPLICABLE.
 2. QUALITY ASSURANCE PROGRAM REQUIREMENTS SA-1, SEE GAI SPECIFICATION QUALITY ASSURANCE PROGRAM REQUIREMENTS SP-701-4481-80.
 3. STRUCTURAL CONCRETE TO BE IN ACCORDANCE WITH GAI SPECIFICATION, STRUCTURAL CONCRETE SP-201-4481-80.
 4. STRUCTURAL CONCRETE TO HAVE A MINIMUM COMPRESSIVE STRENGTH OF 3000 PSI IN 28 DAYS.
 5. PLACING OF REINFORCING STEEL TO BE IN ACCORDANCE WITH GAI SPECIFICATION PLACING OF REINFORCING STEEL SP-202-4481-80.
 6. FABRICATION OF REINFORCING BARS TO BE IN ACCORDANCE WITH GAI SPECIFICATION FABRICATION AND DELIVERY OF REINFORCING STEEL SP-204-4481-80.
 7. THE MINIMUM LAP SPICE FOR ALL REINFORCEMENT BARS TO BE 3'-3".
 8. THIS DRAWING TO BE WORKED IN CONJUNCTION WITH ELECTRICAL DRAWINGS E-216-815 & E-216-812.
 9. WELDED, OR EQUAL, SPLICES SHALL CONFORM TO SECTIONS 1198.4 AND 1198.5 OF GAI SPECIFICATION, PLACING OF REINFORCING STEEL SP-202-4481-80.
 10. FOAM FILLER TO BE "SERVICISED CLOSED CELL PLASTIC FOAM FILLER" BY GRACE CONSTRUCTION MATERIALS COMPANY OR EQUAL.
 11. CONSTRUCTION JOINTS MAY BE LOCATED BY THE FIELD AS REQUIRED.

- REFERENCES:
- E-441-802 ELECTRICAL DUCT BANKS - CONTROL COMPLEX, INTERMEDIATE BUILDING & TURBINE BUILDING
 - E-216-811 ELECTRICAL - DUCT BANKS FOR DIESEL GENERATOR CIRCUITS - MAIN PLANT AREA WEST END
 - E-216-812 ELECTRICAL - DUCT BANKS FOR DIESEL GENERATOR CIRCUITS - MAIN PLANT AREA EAST END
 - E-424-341 REINFORCEMENT LIST
 - E-424-381 REINFORCEMENT LIST
 - E-424-382 REINFORCEMENT LIST
 - E-424-340 REINFORCEMENT LIST

THIS IS A NUCLEAR SAFETY RELATED DOCUMENT. NO DEVIATION SHALL BE INITIATED OR PERFORMED WITHOUT PRIOR DOCUMENTATION AND WRITTEN APPROVAL.

FSAR Figure 6.3-2g
 SOUTH CAZBLUM ELECTRIC & GAS COMPANY
 VIRGIL C. SUMNER NUCLEAR STATION
 ELECTRICAL DUCT BANKS
 CONTROL COMPLEX, INTERMEDIATE BUILDING
 & TURBINE BUILDING
 DESIGN ENGINEERING

NO.	DATE	BY	REVISION	DESCRIPTION
7	10/01/01	DDJ	REVISED PER ECR-78809	HIGH DUCT
6	08/14/01	DDJ	REVISED PER ECR-78809	HIGH DUCT
5	08/14/01	DDJ	REVISED PER ECR-78809	HIGH DUCT
4	08/14/01	DDJ	REVISED PER ECR-78809	HIGH DUCT
3	08/14/01	DDJ	REVISED PER ECR-78809	HIGH DUCT
2	08/14/01	DDJ	REVISED PER ECR-78809	HIGH DUCT
1	08/14/01	DDJ	REVISED PER ECR-78809	HIGH DUCT