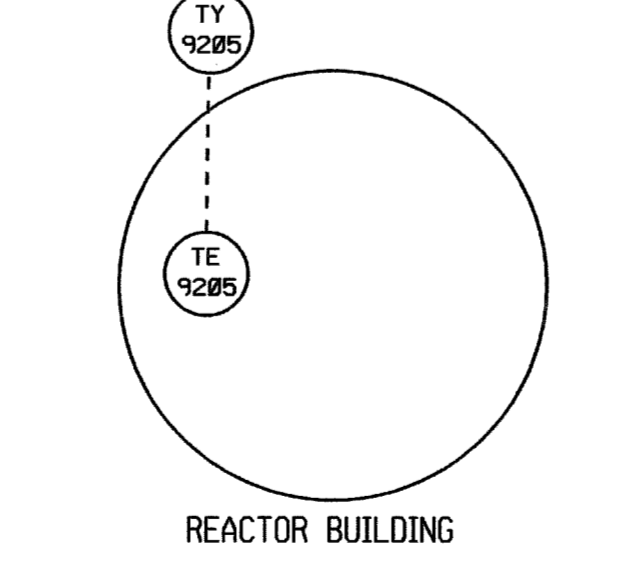
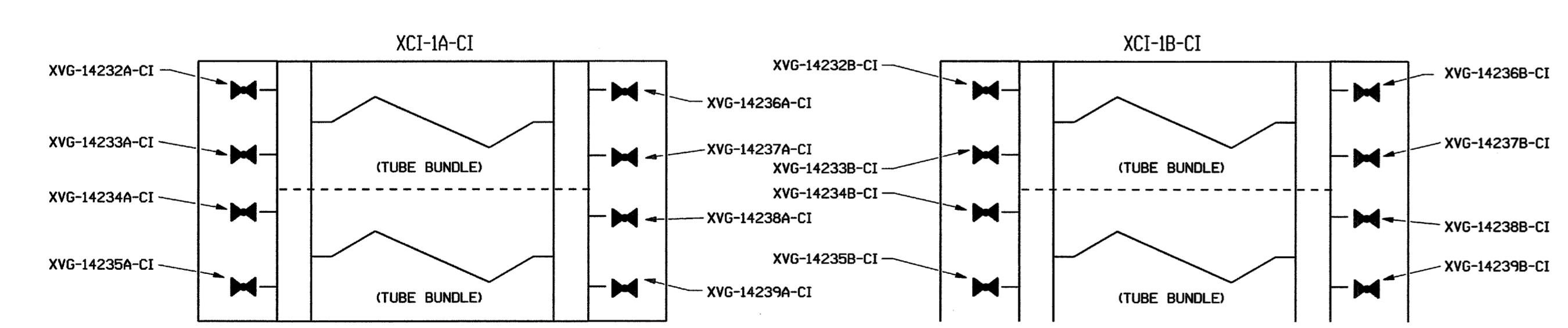
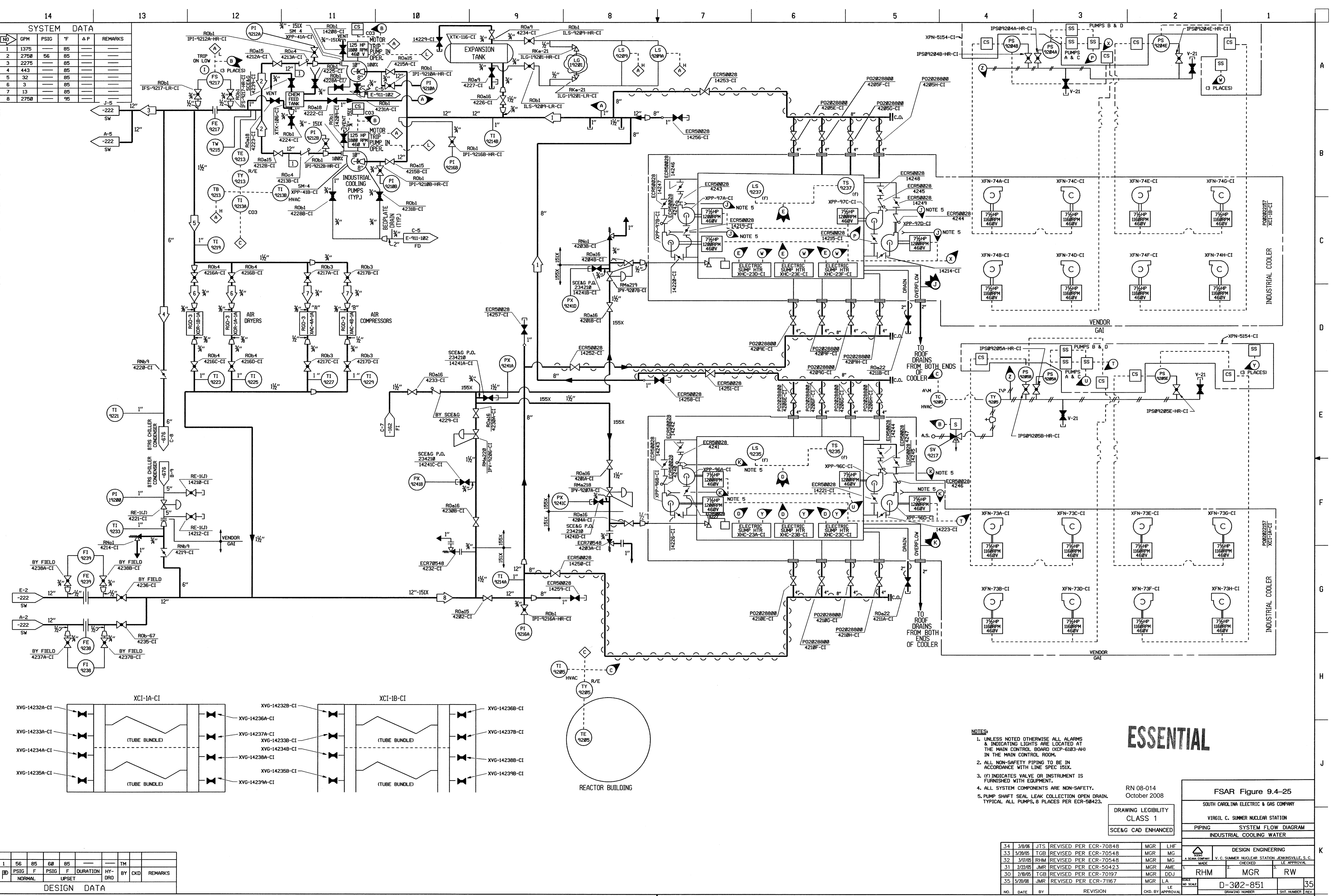


SYSTEM DATA						
NO	GPM	PSIG	T	Δ P	REMARKS	
1	1375	85	85			
2	2750	56	85			
3	2275	85	85			
4	443	85	85			
5	32	85	85			
6	3	85	85			
7	13	85	85			
8	2750	95	85			



- NOTES:**
- UNLESS NOTED OTHERWISE ALL ALARMS & INDICATING LIGHTS ARE LOCATED AT THE MAIN CONTROL BOARD (XCP-6103-AH) IN THE MAIN CONTROL ROOM.
 - ALL NON-SAFETY PIPING TO BE IN ACCORDANCE WITH LINE SPEC 151X.
 - (F) INDICATES VALVE OR INSTRUMENT IS FURNISHED WITH EQUIPMENT.
 - ALL SYSTEM COMPONENTS ARE NON-SAFETY.
 - PUMP SHAFT SEAL LEAK COLLECTION OPEN DRAIN. TYPICAL ALL PUMPS, 8 PLACES PER ECR-50423.

ESSENTIAL

RN 08-014
October 2008

DRAWING LEGIBILITY
CLASS 1
SCE&G CAD ENHANCED

FSAR Figure 9.4-25
SOUTH CAROLINA ELECTRIC & GAS COMPANY
VIRGIL C. SUMNER NUCLEAR STATION
PIPING SYSTEM FLOW DIAGRAM
INDUSTRIAL COOLING WATER

ID	PSIG	F	DURATION	HY-ORD	BY	CKD	REMARKS
1	56	85	60	85		TM	
	NORMAL	UPSET					

1/4" = 1'-0" 0' 5' 10' 15' 20'

NO.	DATE	BY	REVISION	CHKD.	APPROVAL
34	3/8/06	JTS	REVISED PER ECR-70848	MGR	LHF
33	5/20/05	TGB	REVISED PER ECR-70548	MGR	MG
32	3/11/05	RHM	REVISED PER ECR-70548	MGR	MG
31	2/22/05	JMR	REVISED PER ECR-50423	MGR	AME
30	7/10/05	TGB	REVISED PER ECR-70197	MGR	DDJ
35	5/20/08	JMR	REVISED PER ECR-71167	MGR	LA

DESIGN ENGINEERING		
1.	2.	3.
DESIGNED	CHECKED	LE APPROVAL
RHM	MGR	RW
D-302-851		35
DRAWING NUMBER		SHT. NUMBER