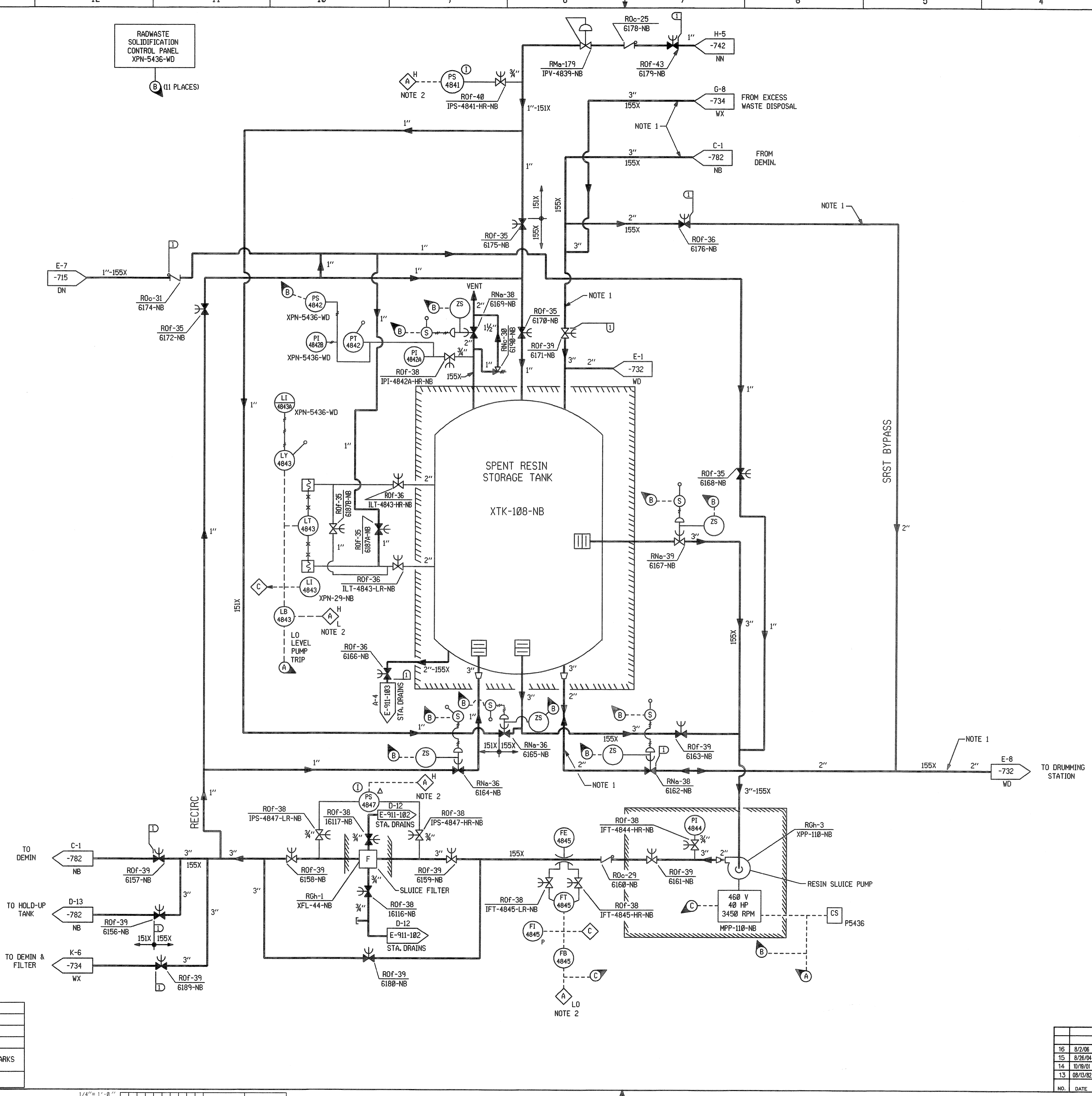


SYSTEM DATA					
#	SCFM	PSIG	*F	ΔP	REMARKS

NB	16100	16124
NB	6100	6199
SYSTEM SUFFIX	FIRST NO	LAST NO
VALVE NUMBERING		

DESIGN DATA								
1	150	70	150	70	< 1%	100	DTK	
PSIG	*F	PSIG	*F	DURA-TION	HYDRO	BY	CHKD	REMARKS



NOTES
 1 USE 5D BENDS IN LINE FROM SPENT RESIN STORAGE TANK TO WASTE PACKAGING ROOM
 2 ALARMS LOCATED ON NUCLEAR BLOWDOWN PROCESSING PANEL (XPN0029) WITH ONE COMMON ALARM ON THE MAIN CONTROL BOARD

ESSENTIAL

DRAWING LEGIBILITY CLASS 1
 SCE&G CAD ENHANCED

FSAR Figure 10.4-15				
SOUTH CAROLINA ELECTRIC & GAS COMPANY				
VIRGIL C. SUMNER NUCLEAR STATION				
PIPING SYSTEM FLOW DIAGRAM				
NUCLEAR BLOWDOWN PROCESSING SYSTEM				
SPENT RESIN STORAGE TANK				
DESIGN ENGINEERING				
NO.	DATE	BY	REVISION	CHKD. BY APPROVAL
16	8/2/06	JTS	CADD ENHANCED PER ECR-50239	MGR DDJ
15	8/26/04	RHM	REVISED PER ECR-70576	MGR SL
14	10/19/01	DDJ	REVISED PER ECR-70028	MGR DDJ
13	08/13/02	JEV	REVISED PER SFRB-5040	PS PJS

