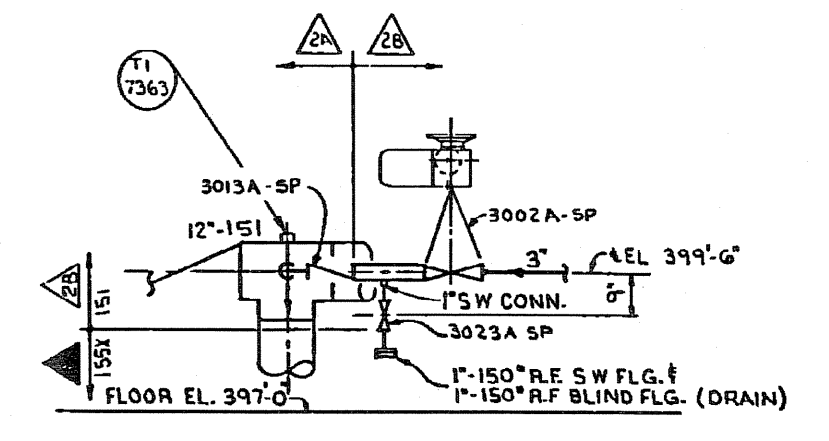
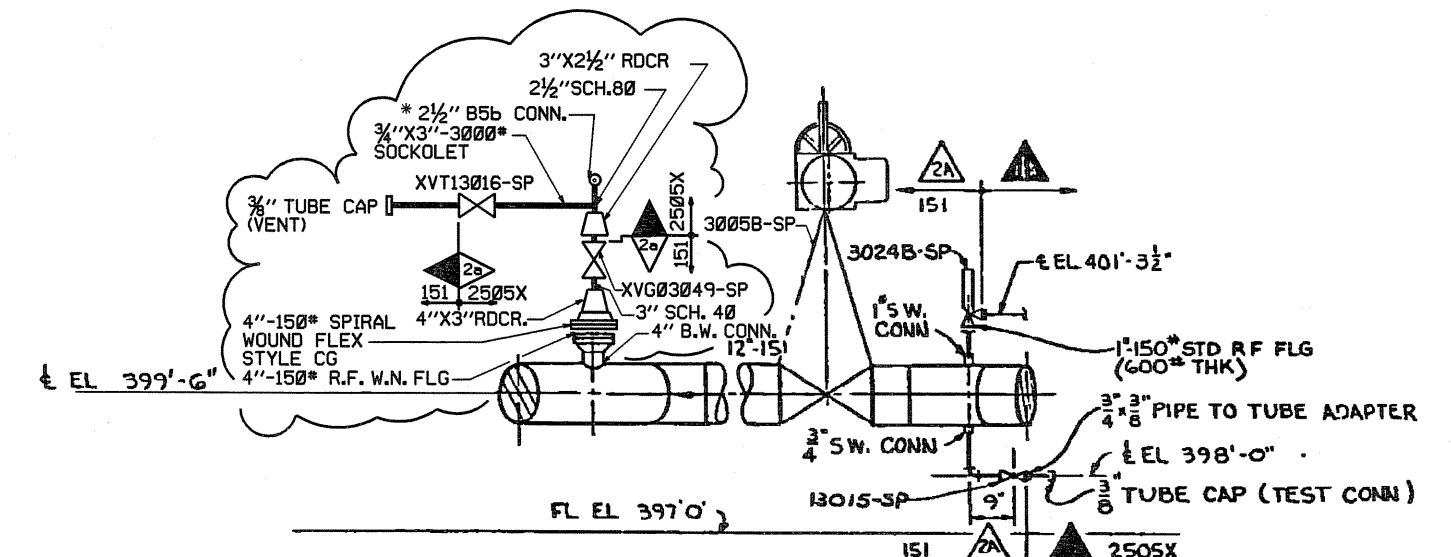


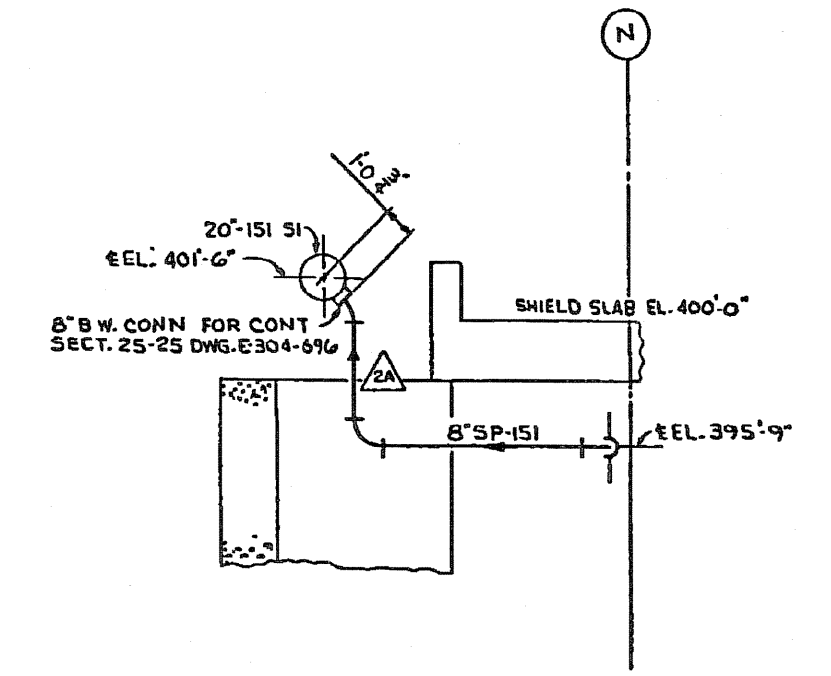
**SECTION 1-1**  
 SCALE: 1/2"=1'-0"  
 DWG E-304-661



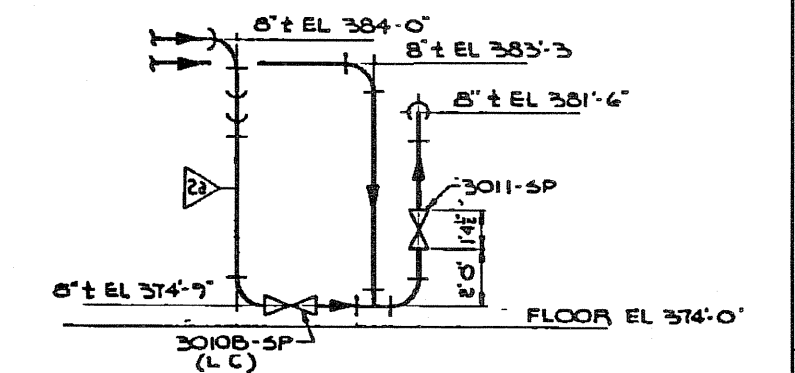
**SECTION 2-2**  
 SCALE: 1/2"=1'-0"  
 DWG E-304-661



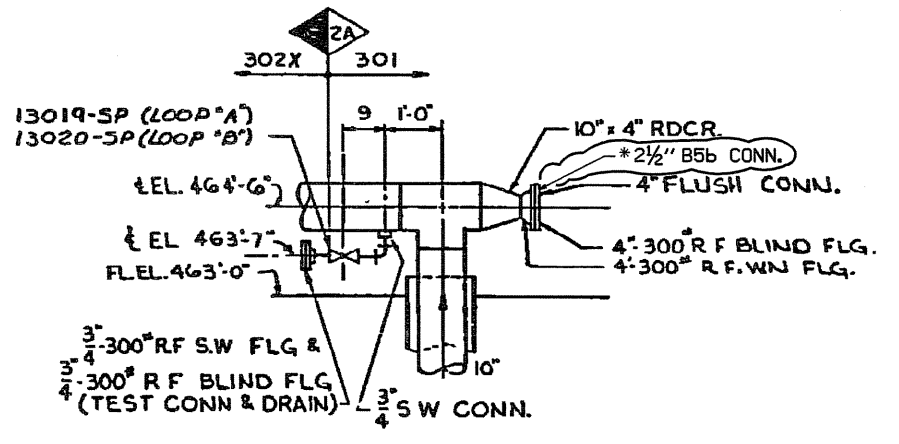
**SECTION 4-4**  
 SCALE: 1/2"=1'-0"  
 DWG E-304-661



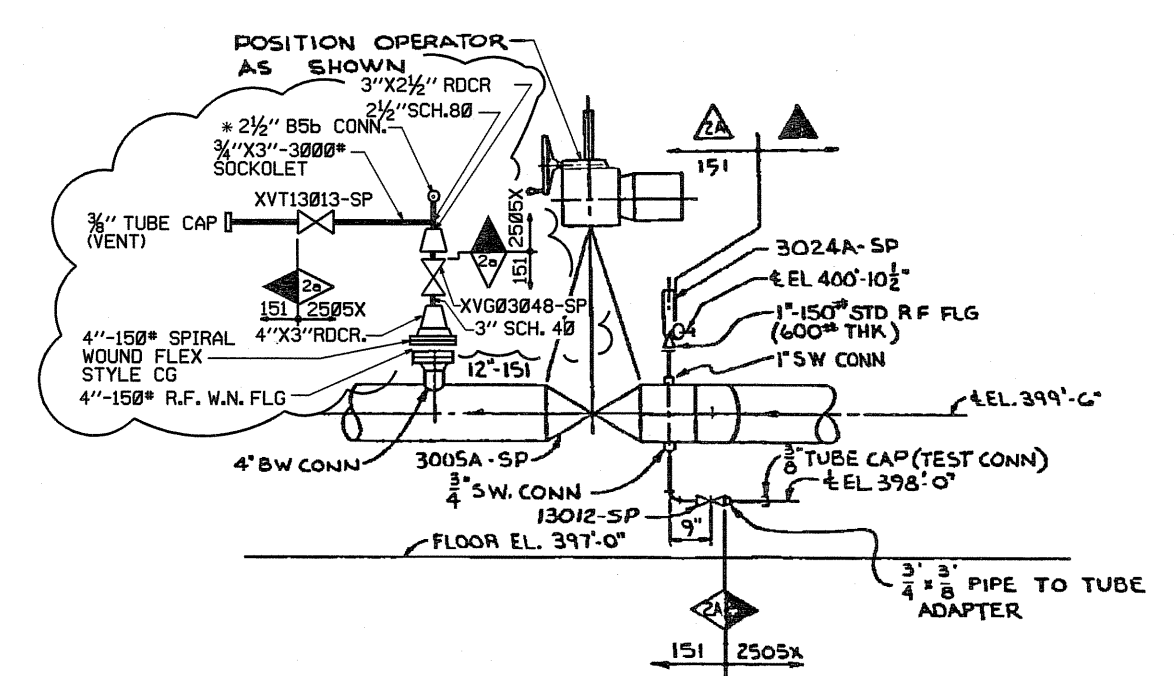
**SECTION 5-5**  
 SCALE: 1/2"=1'-0"  
 DWG E-304-662



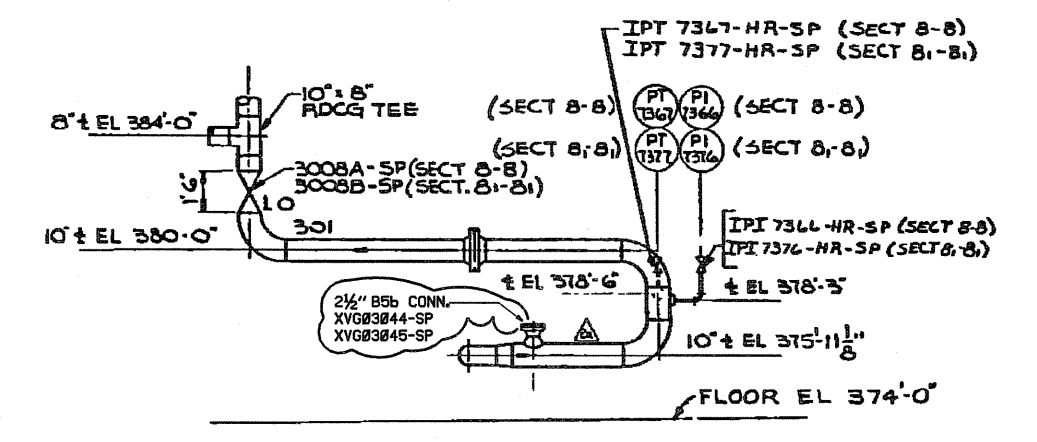
**SECTION 6-6**  
 SCALE: 1/2"=1'-0"  
 DWG E-304-662



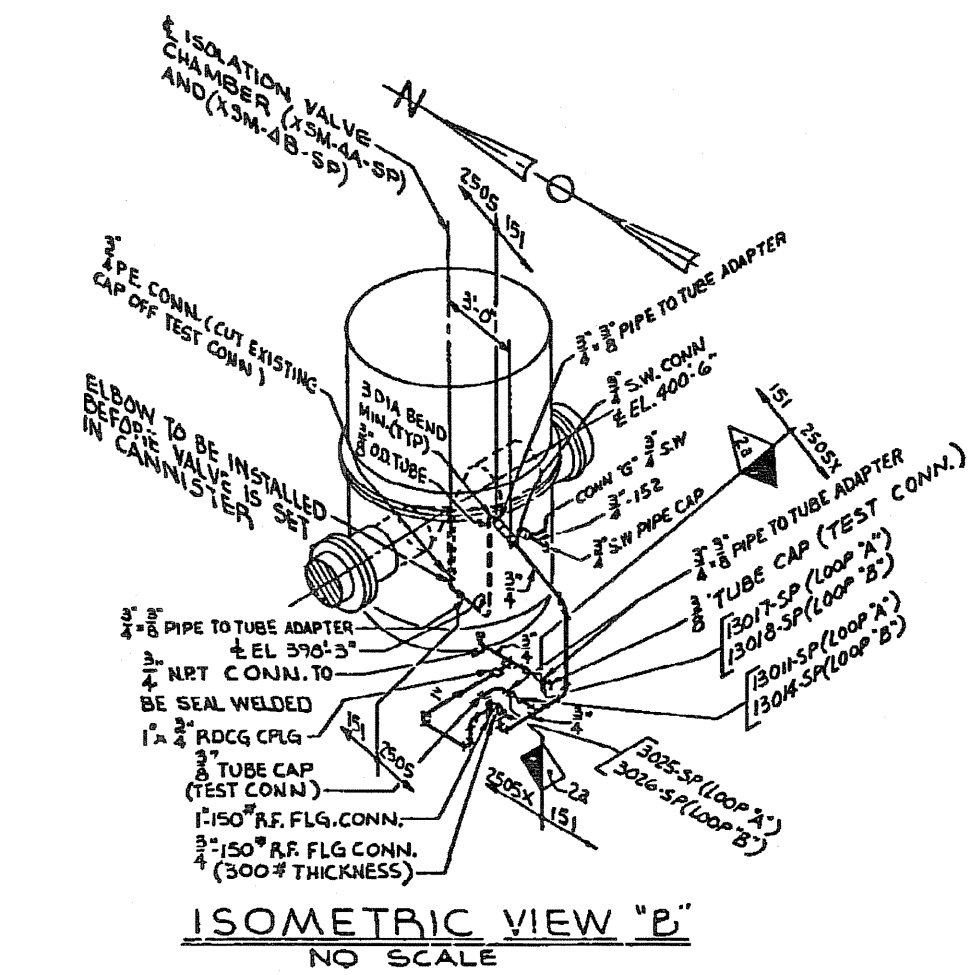
**SECTION 3-3**  
 TYPICAL 2 PLACES  
 SCALE: 1/2"=1'-0"  
 DWG E-304-666



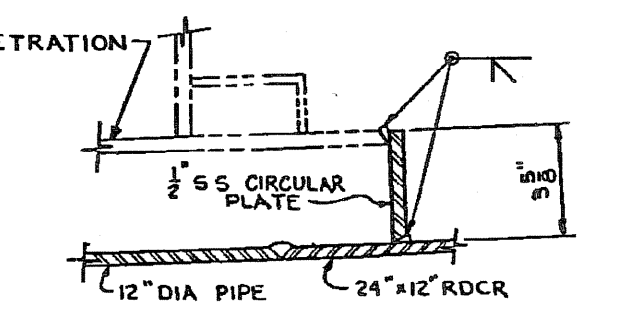
**SECTION 7-7**  
 SCALE: 1/2"=1'-0"  
 DWG E-304-661



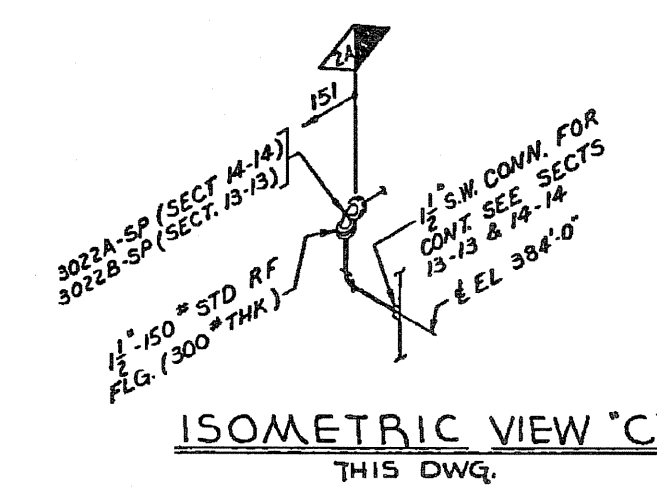
**SECTION 8-8 (SHOWN)**  
**SECTION 8-8 (SIMILAR)**  
 SCALE: 1/2"=1'-0"  
 DWG E-304-662



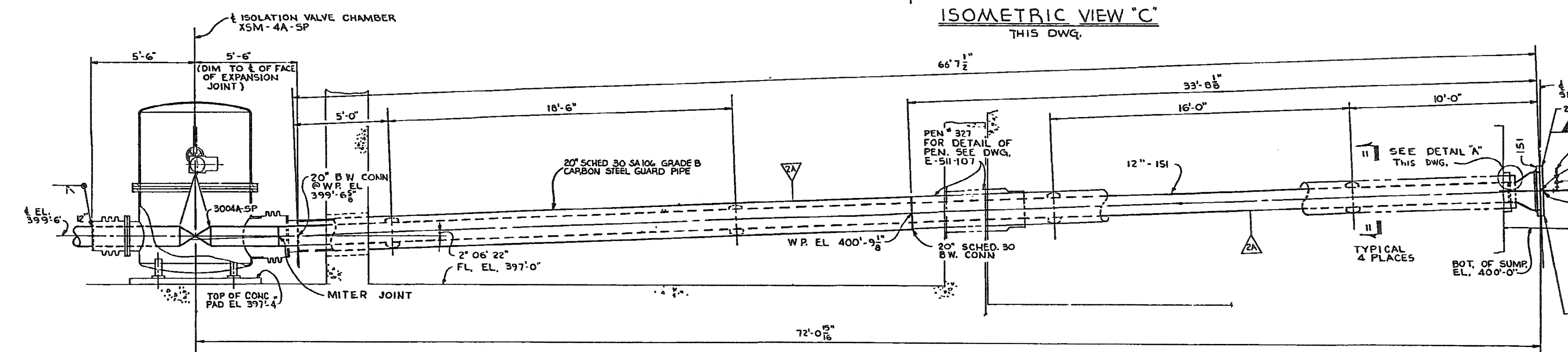
**ISOMETRIC VIEW 'B'**  
 NO SCALE



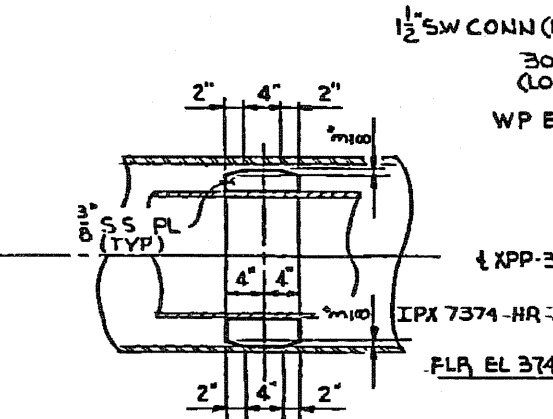
**DETAIL 'A'**  
 SCALE: 3/4"=1'-0"



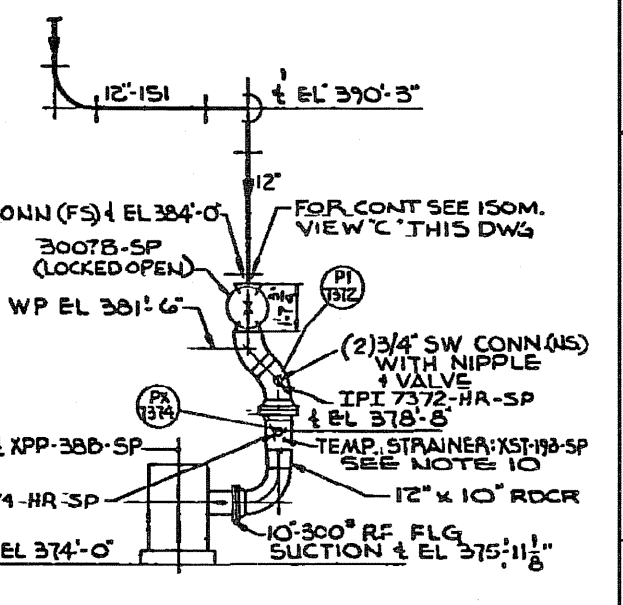
**ISOMETRIC VIEW 'C'**  
 THIS DWG.



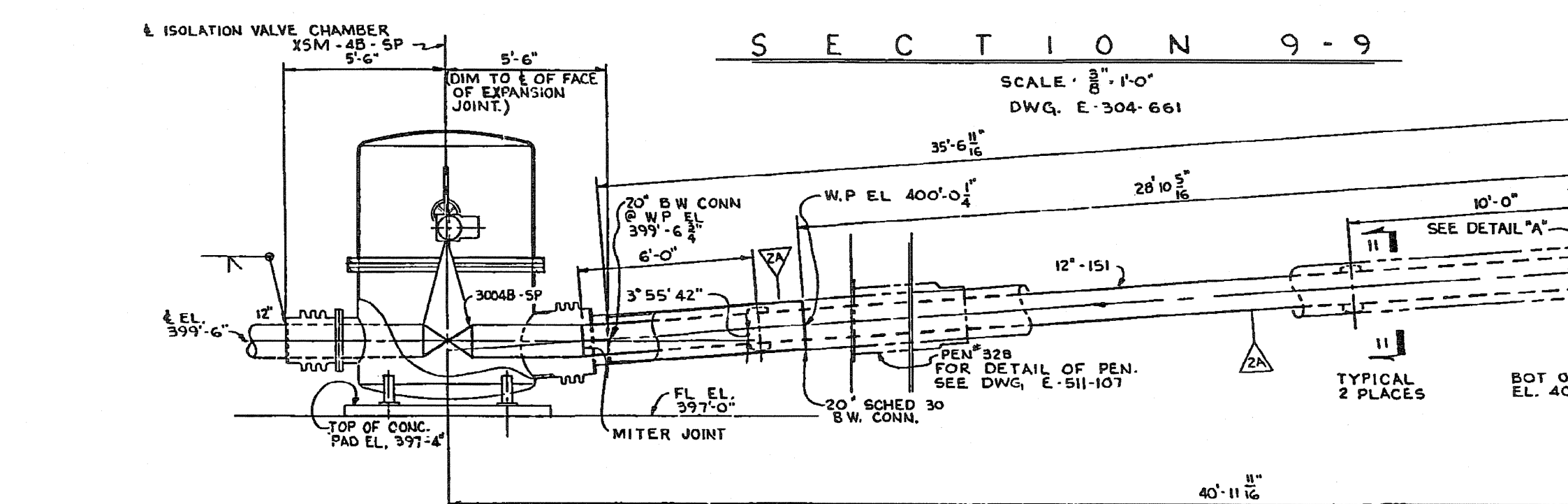
**SECTION 11-11**  
 SCALE: 1/2"=1'-0"  
 NO RECD - 6



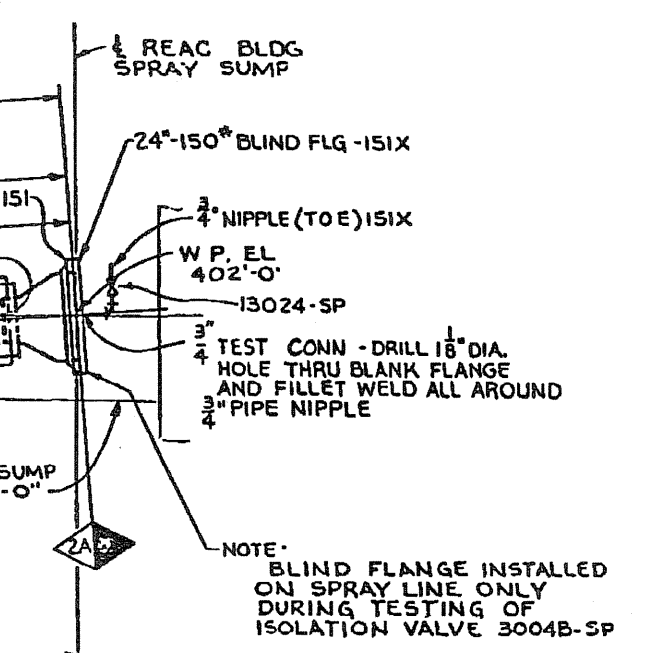
**SECTION 12-12**  
 SCALE: 1/2"=1'-0"



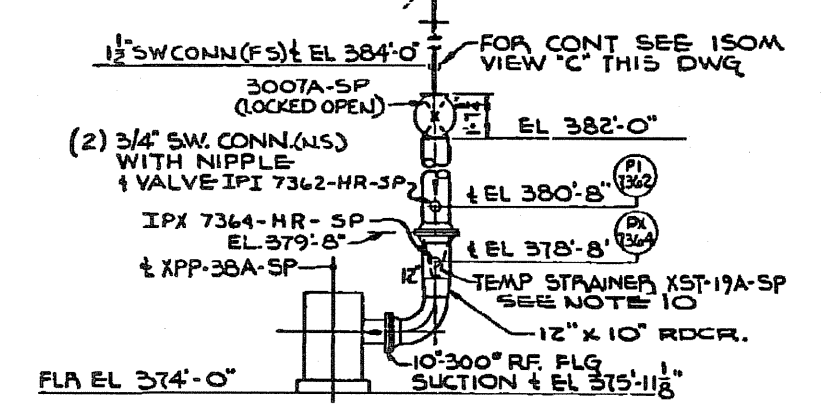
**SECTION 13-13**  
 SCALE: 1/2"=1'-0"  
 DWG E-304-662



**SECTION 9-9**  
 SCALE: 1/2"=1'-0"  
 DWG E-304-661



**SECTION 10-10**  
 SCALE: 1/2"=1'-0"  
 DWG E-304-661



**SECTION 14-14**  
 SCALE: 1/2"=1'-0"  
 DWG E-304-662

NOTES:  
 1 FOR NOTES AND REFERENCES SEE DRAWING E-304-661

THIS IS A  
 NUCLEAR SAFETY RELATED  
 DOCUMENT. NO DEVIATION SHALL BE  
 INITIATED OR PERFORMED WITHOUT PRIOR  
 DOCUMENTATION AND WRITTEN APPROVAL

FSAR Figure 6.2-84	
SOUTH CAROLINA ELECTRIC & GAS COMPANY	
VIRGIL C. SUMNER NUCLEAR STATION	
PIPING SYSTEM	
REACTOR BUILDING SPRAY SYSTEM -	
AUXILIARY BLDG SECTIONS & DETAILS	
DESIGN ENGINEERING	
DESIGNED BY	V.C. SUMNER NUCLEAR STATION, JENKINSVILLE, S.C.
CHECKED BY	LE APPROVAL
DATE	
23 4/17/88 JMR	REVISED PER ECR-50692F MGR RAT
22 4/25/81 DDJ	REVISED PER ECR-70028 MGR DDJ
NO.	DATE
BY	REVISION
CHKD. BY	APPROVAL
E-304-667	
DRAWING NUMBER	
23	
SHT. NUMBER	
REV.	

