

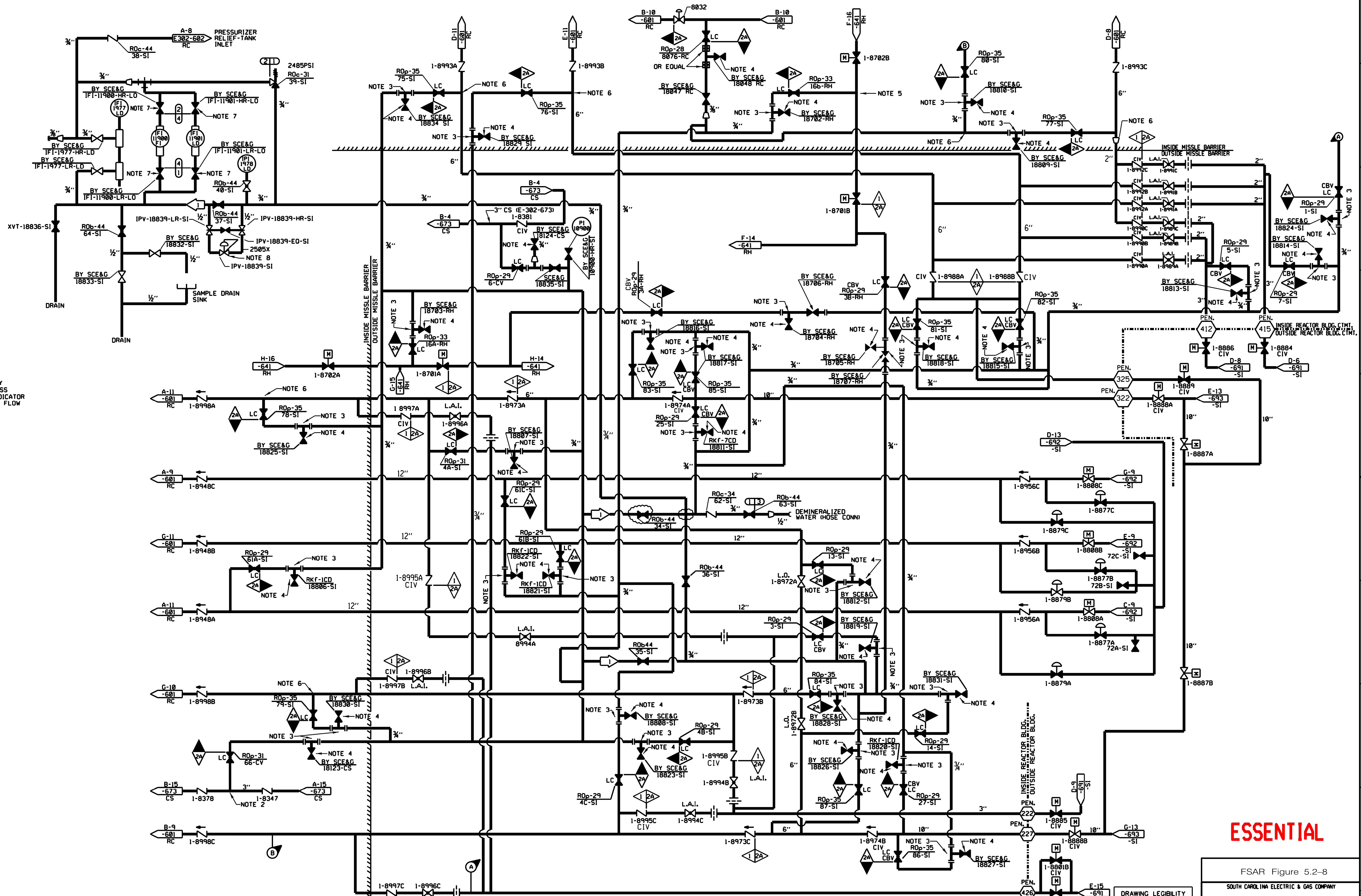
SYSTEM DATA

LB/HR	PSIG	F	BY	REMARKS
1	1000	120	ECD	
1	240	120	DVR	FLOW THRU FI11900-11901

LAST USED (B)

NOTES:

- ALL PIPING TO BE NON-NUCLEAR SAFETY CLASS LINE SPEC 2501X
- 1.050 ODX 375 ID FLOW RESTRICTOR IS REQUIRED TO ALLOW TRANSITION FROM SAFETY CLASS 1 TO SAFETY CLASS 2A
- SPOOL PIECE REQUIRED SPOOL PIECE REMAINS IN EXCEPT WHEN LINE IS TO BE DRAINED UP STREAM VALVES ARE LOCKED CLOSED DURING NORMAL OPERATION
- BLEED VALVE FOR SYSTEM FILL WITH DEMINERALIZED WATER PRIOR TO TESTING NUPRO P SERIES OR EQUAL
- 2.380 OD X 375 ID FLOW RESTRICTOR IS REQUIRED TO ALLOW TRANSITION FROM SAFETY CLASS 1 TO SAFETY CLASS 2A
- 3/4 SW CONN EQUIV TO 6000\*ASA HALF CPLG DRILLED FOR 375 ID FLOW RESTRICTOR IS REQUIRED TO ALLOW TRANSITION FROM SAFETY CLASS 1 TO SAFETY CLASS 2A
- UPSTREAM & DOWNSTREAM VALVES TO IFI-11900 & 11901 ARE TO BE CLOSED AT THE START OF TESTING PROCEDURE FOR USING THESE INDICATORS IS
  - PROVIDE A BLEED THRU IFI 1977 FLOW INDICATOR OR DRAIN VALVE 64 SI IN ORDER TO REDUCE PRESSURE TO LESS THAN 240 PSIG ON PI-1978
  - OPEN DOWNSTREAM VALVE (S) (IFI-11900-HR-LD OR IFI-11901-HR-LD)
  - OPEN UPSTREAM VALVE (S) (IFI-11900-LR-LD OR IFI-11901-LR-LD)
  - CLOSE BLEED PATH AFTER FLOW IS READ, UPSTREAM VALVE (S) IS TO BE CLOSED FIRST & DOWNSTREAM VALVE (S) CLOSED LAST IFI-11900 LOW RANGE FLOW INDICATOR IS ONLY TO BE USED WHEN IFI-1977 READS A FLOW LESS THAN 14GPM IFI-11901 LD LOW RANGE FLOW INDICATOR IS ONLY TO BE USED WHEN IFI-11900 READS A FLOW LESS THAN 0.6 GPM
- LINE SPEC FOR IPV-18839-SI TUBING IS 2505X.



HYDROTEST TEMP. 60° F

#	PSIG	° F	DURATION	HYDRO	BY	CHKD	REMARKS
4	240	200	240				DVR
3	180	110	150	(12)	165	DLK	
2	3	120	350	435	(12)	525	DLK
1	1000	335	2485	650	(12)	3730	PLL

DESIGN DATA



**ESSENTIAL**

FSAR Figure 5.2-8  
SOUTH CAROLINA ELECTRIC & GAS COMPANY  
VIRGIL C. SUMNER NUCLEAR STATION  
PIPING SYSTEM FLOW DIAGRAM  
ECCS CHECK VALVE TESTING

DRAWING LEGIBILITY CLASS 1  
SCE&G CAD ENHANCED

NO.	DATE	BY	REVISION	CHKD.	APPROVAL
16	4/8/98	JMR	REVISED PER CGSS-98-0138	MGR	ROB
21	7/10/98	JMR	REVISED PER ECR-72367	DC	AL
20	10/4/2001	JTS	REVISED PER ECR-71545	MGR	GFK
19	10/1/2001	JTS	REVISED PER ECR-71545	MGR	GFK
18	6-15-00	TGB	REVISED PER ECR-50650	MGR	RAT
17	1/18/05	TGB	CADD ENHANCED PER ECR-50239	RHM	MGR

DESIGN ENGINEERING	MADE	CHECKED	LE APPROVAL
V. C. SUMNER			
SRM	MGR	MRH	

D-302-812 21