

ENCLOSED CONTOURS DETERMINED AS PER WOODWARD-GARDNER LETTER SKETCH DATED FEBRUARY 12, 1974.

ENCLOSED CONTOURS DETERMINED AS PER WOODWARD-GARDNER LETTER SKETCH DATED FEBRUARY 12, 1974.

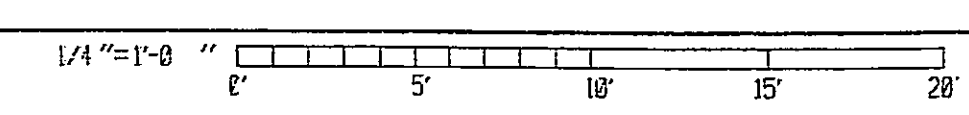
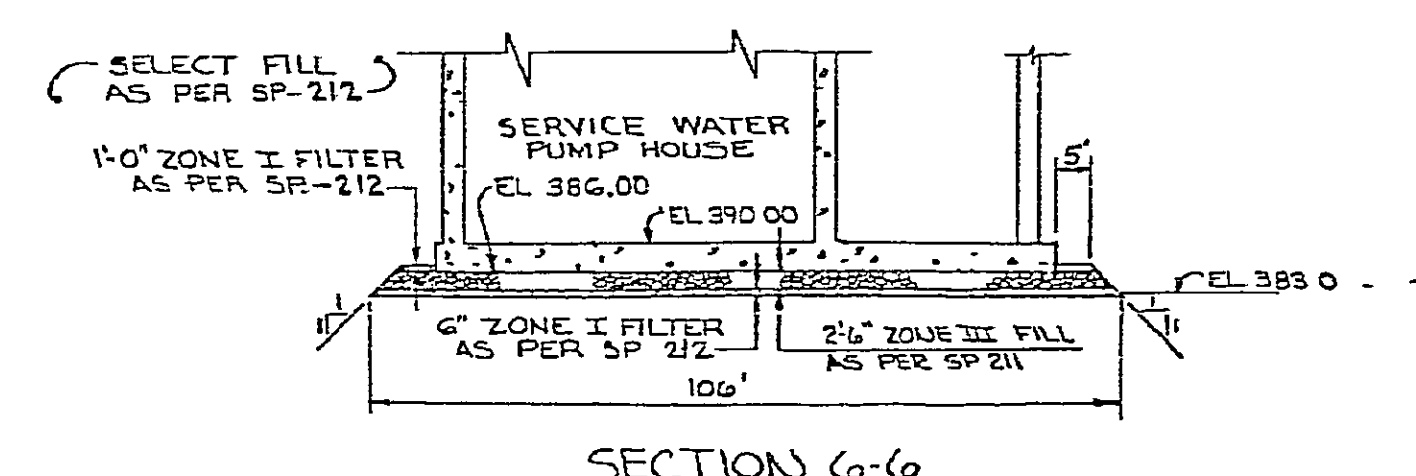
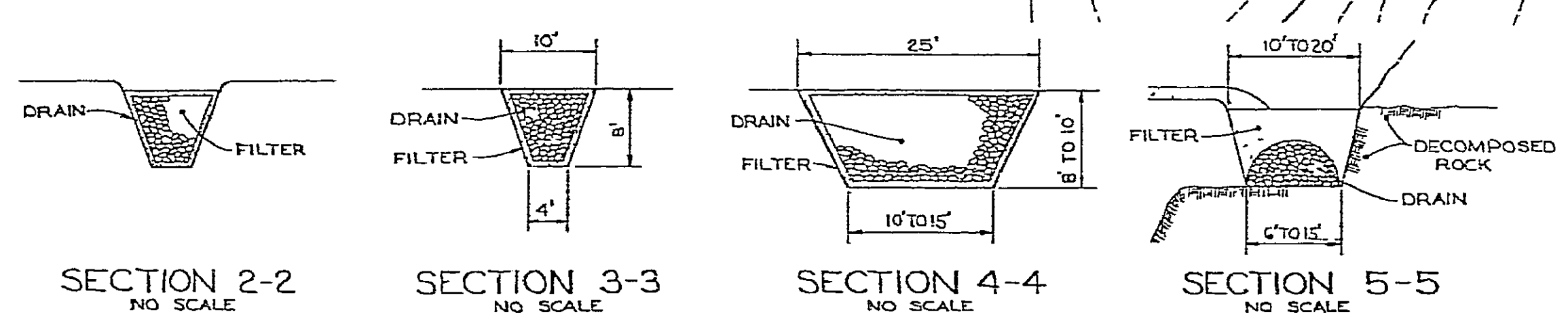
NOTE: DUKE TRANSMISSION TOWER IS NOT A CLASS I EMBANKMENT.

NOTE: FOR TRANSITION FROM EL. 438.0 (SOUTH DAM) TO EL. 435.0 (WEST EMBANKMENT), SEE DWG E-744-052.

REFERENCES:-
 E-726-402 GENERAL PLAN - PLANT SITE AND FOUR AREAS
 E-726-403 PLOT PLAN - SERVICE WATER POND, NORTH, SOUTH AND EAST DAMS, CIRCULATING WATER DISCHARGE CANAL, JETTY
 E-726-404 PLOT PLAN - SURVEY CONTROL, TEST BORING LOCATIONS AND PNEUMETER LOCATIONS
 E-726-405 SECTIONAL SECTIONS
 E-726-407 TYPICAL CROSS SECTIONS - EAST DAM, WEST EMBANKMENT, CIRCULATING DISCHARGE CANAL, AND JETTY
 E-726-408 DATA SHEET
 E-726-449 SECTIONS - WEST EMBANKMENT
 E-726-450 SECTIONS - WEST EMBANKMENT SPECIFICATION SP-212-441-01, "CONSTRUCTION OF SERVICE WATER POND DAMS AND EMBANKMENTS"

NOTE:
 BACKGROUND CONTOUR INFORMATION PROVIDED BY SOUTH CAROLINA ELECTRIC AND GAS COMPANY.

TYPICAL DETAIL
RIPRAP TERMINATION ALONG EMBANKMENT



THIS IS A NUCLEAR SAFETY RELATED DOCUMENT. NO DEVIATION SHALL BE INITIATED OR PERFORMED WITHOUT PRIOR DOCUMENTATION AND WRITTEN APPROVAL.

FSAR Figure 2.5-109

SOUTH CAROLINA ELECTRIC & GAS COMPANY

VISEL, C. SIMMER NUCLEAR STATION

SERVICE WATER POND EMBANKMENTS, CANAL & JETTY PLAN - WEST EMBANKMENT

DESIGN ENGINEERING

DDJ MGR DDJ

E-726-416

NO.	DATE	BY	REVISION	DESIGNED	CHECKED	APPROVED
10	10/18/00	DDJ	REVISED PER ECR-76028	MGR	DDJ	DDJ