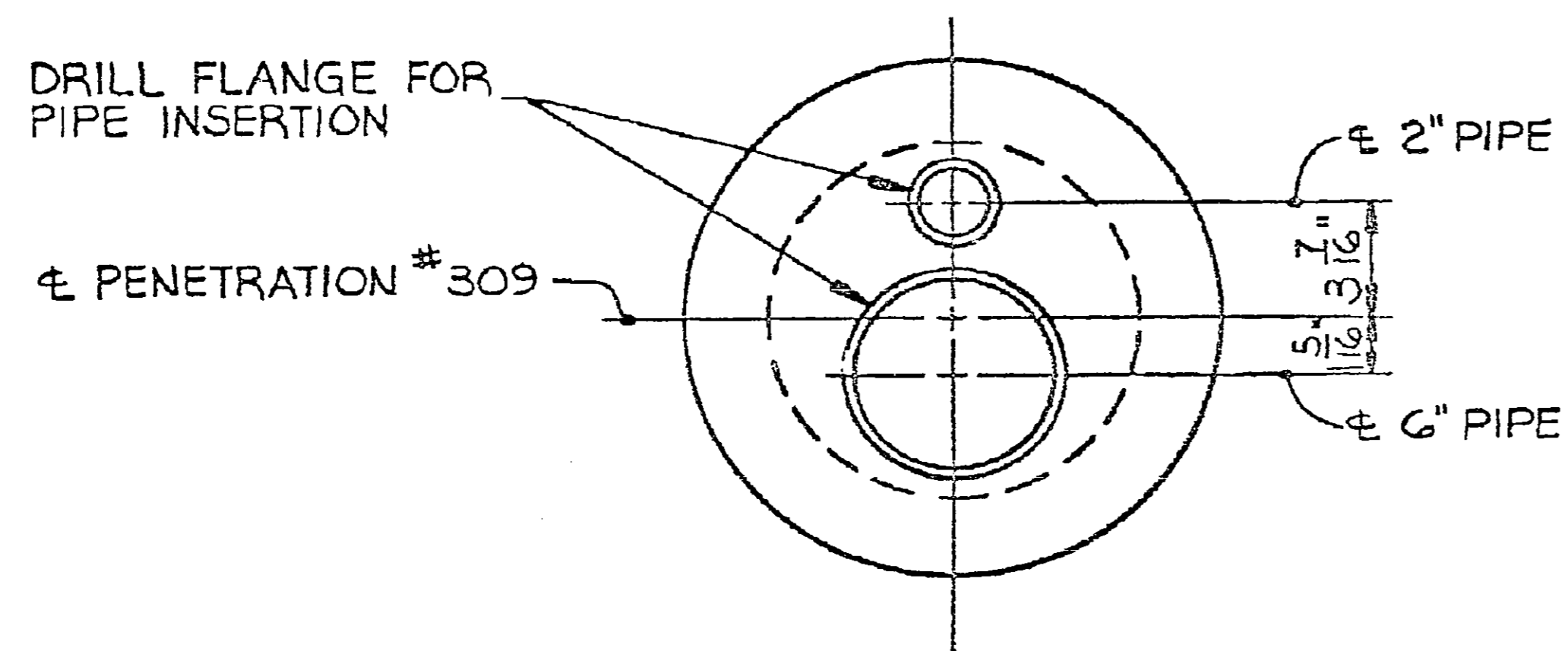


PENETRATION #309

NOTES:

1. FOR PIPE MATERIAL SHOWN ON THIS DRAWING, REFER TO PIPING SPECIFICATION SP-545-044461-000, LINE SPEC. 152.
2. PIPING TO BE ANS SAFETY CLASSIFICATION 2A. INSTALLATION TO BE IN ACCORDANCE WITH SP-220-044461-000 AND ASME CODE SECTION III, SUBSECTION NE.



SECTION 'A-A'

THIS IS A
NUCLEAR SAFETY RELATED
DOCUMENT. NO DEVIATION SHALL BE
INITIATED OR PERFORMED WITHOUT PRIOR
DOCUMENTATION AND WRITTEN APPROVAL

FSAR Figure 6.2-60a

SOUTH CAROLINA ELECTRIC & GAS COMPANY

VIRGIL C. SUMMER NUCLEAR STATION

I & C DETAIL

PENETRATION #309 DETAILS

DESIGN ENGINEERING

SEEG A SCANA COMPANY V. C. SUMMER NUCLEAR STATION JENKINSVILLE, S.C.

MADE	CHECKED	LE APPROVAL
JTS	MGR	RAT

NO.	DATE	BY	REVISION	CKD. BY	APPROVAL
3	02/10/00	JTS	REVISED PER CGSS-00-0042	MGR	RAT

SCALE	DRAWING NUMBER	SHT. NUMBER	REV
NO SCALE	B-809-466	3	

