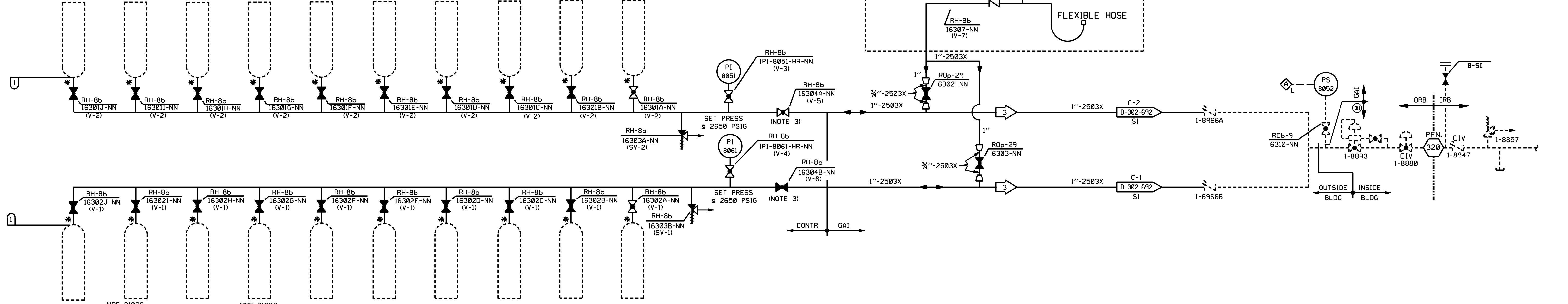


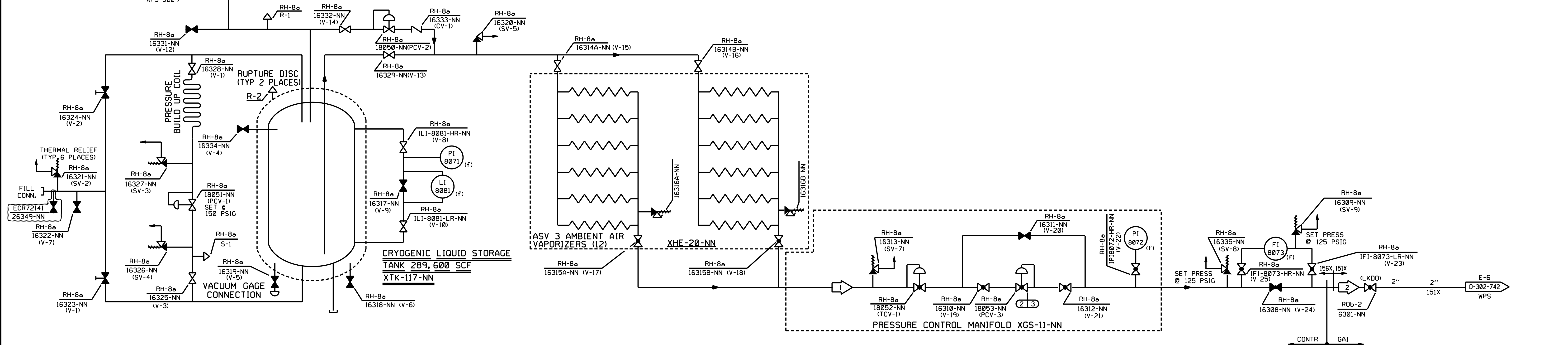
NO	PSIG	SCFM	F	BY	REMARKS
1	230	500	120	JGS	
2	100	500	120	JGS	
3	2400	1000	120	JGS	

* CONNECTION POINT
ALTERNATE CONNECTION POINT AVAILABLE AT THE VALVE TO CONNECT A SINGLE HOSE TO THE VENDOR SUPPLIED HEADER ON THE 16 CYLINDER NITROGEN PACK OR SINGLE CYLINDERS MY BE CONNECTED.



HIGH PRESSURE NITROGEN SYSTEM (NN) ACCUMULATORS

2800 SCF TOTAL USABLE CAPACITY IF INDIVIDUAL BOTTLES ARE USED
4480 SCF TOTAL USABLE CAPACITY IF PACK IS CONNECTED (16 BOTTLES)
XGS-5-NN



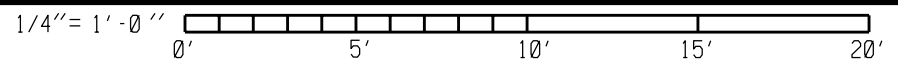
LOW PRESSURE NITROGEN SYSTEM (NN)

- NOTES:
- ALL VALVE NUMBERS OTHER THAN THE 6300 NUMBERS ARE BY VENDORS.
 - SYSTEM SHALL RECEIVE AN INITIAL SERVICE LEAK TEST PER ANSI B3110 AT DESIGN PRESSURES INDICATED.
 - 'A' HEADER SHOWN IN SERVICE WITH 'B' HEADER IN STANDBY. FOR NORMAL OPERATION, EITHER HEADER MAY BE PLACED IN SERVICE WITH THE REMAINING HEADER IN STANDBY.

ESSENTIAL

* SEE NOTE 2

NO	PSIG	F	BY	CHKD	REMARKS		
3	110	120	125	120	<12	110	JGS
2	230	120	245	120	<12	230	JGS
1	2400	120	2650	120	<12	2450	PLL



DRAWING LEGIBILITY CLASS 1
SCE&G CAD ENHANCED

FSAR Figure 5.2-8A
SOUTH CAROLINA ELECTRIC & GAS COMPANY
VIRGIL C. SUMNER NUCLEAR STATION
PIPING SYSTEM FLOW DIAGRAM
N2SS CARBON DIOXIDE AND NITROGEN SUPPLY
DESIGN ENGINEERING

1. SRM	2. RHM	3. LEK
--------	--------	--------

D-302-717
28

NO.	DATE	BY	REVISION	CHKD.	APPROVAL
28	12/11/18	CMS	REVISED PER ECR-72141	CWB	AME
27	12/07/18	CMS	REVISED PER ECR-72404	AME	RKF
26	11/07/18	JMR	REVISED PER ECR-50931	DC	AME
25	10/09/18	JMR	REVISED PER ECR-72404	AME	RF
24	05/23/17	JMR	REVISED PER ECR-72212	RHM	AME
23	02/02/17	JMR	REVISED PER ECR-72212	RHM	DB