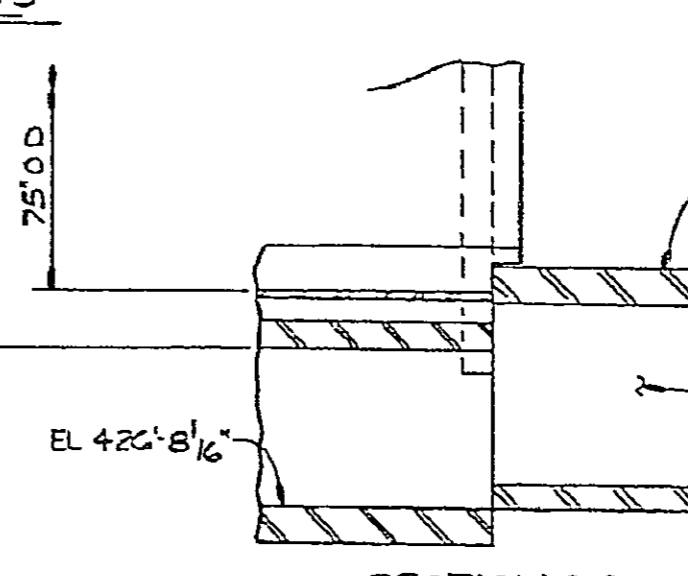
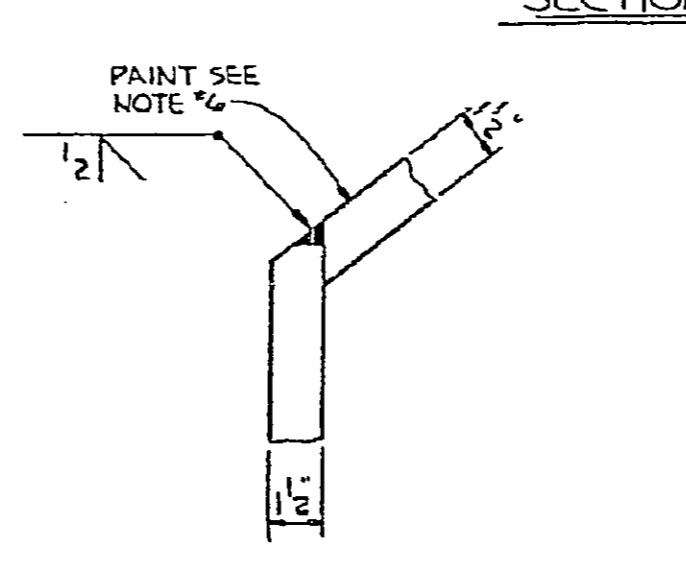
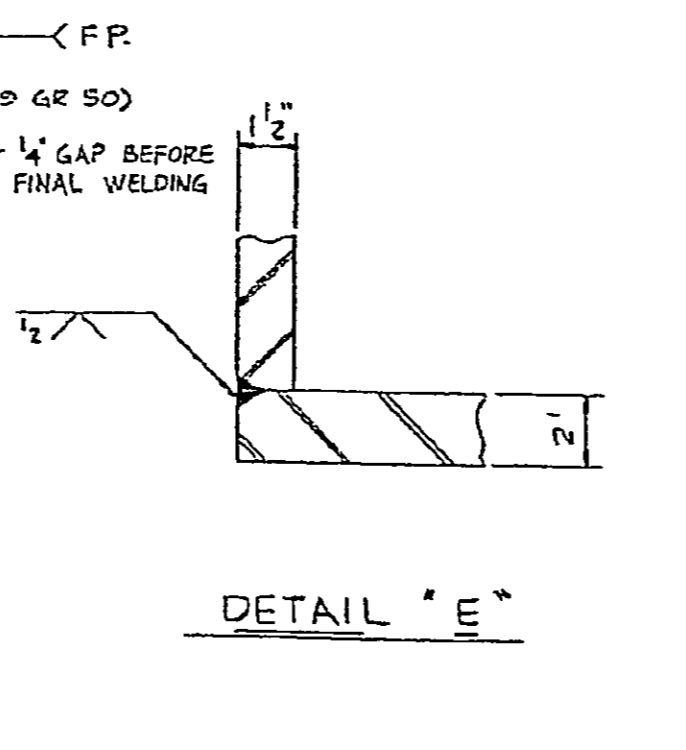
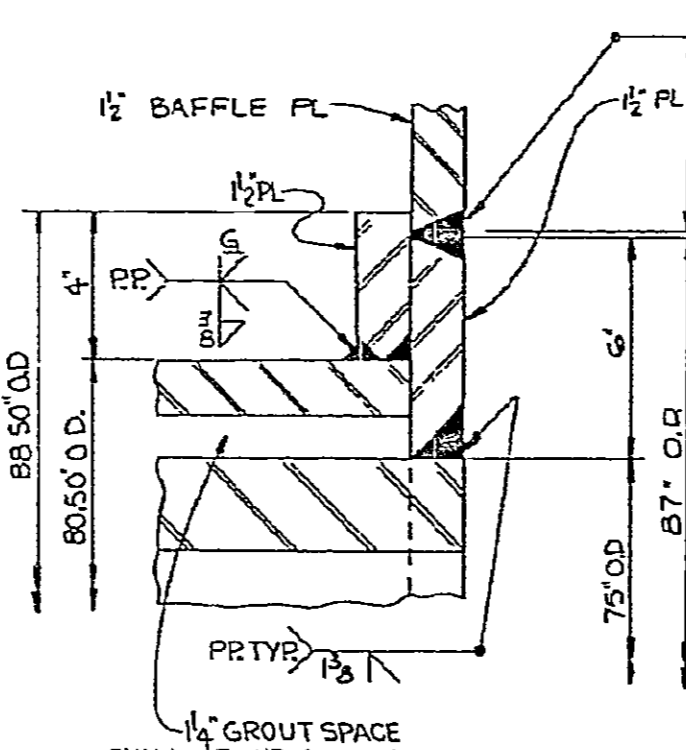
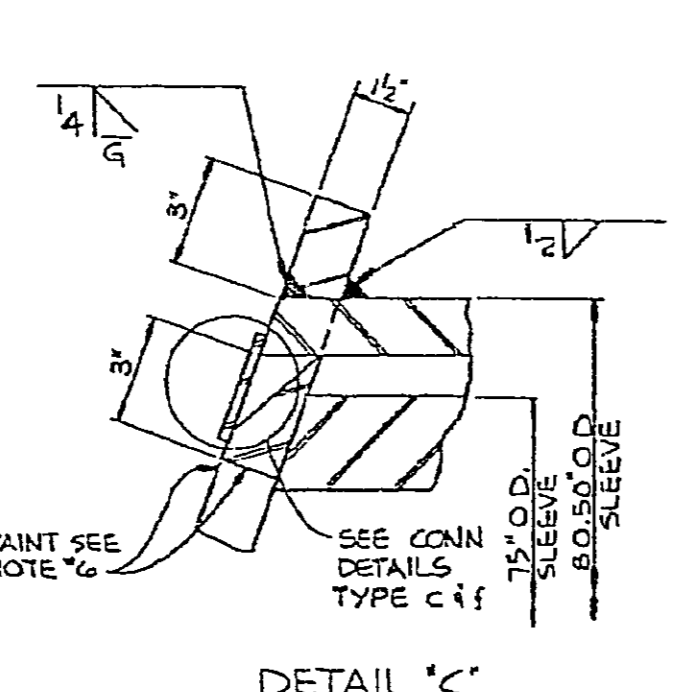
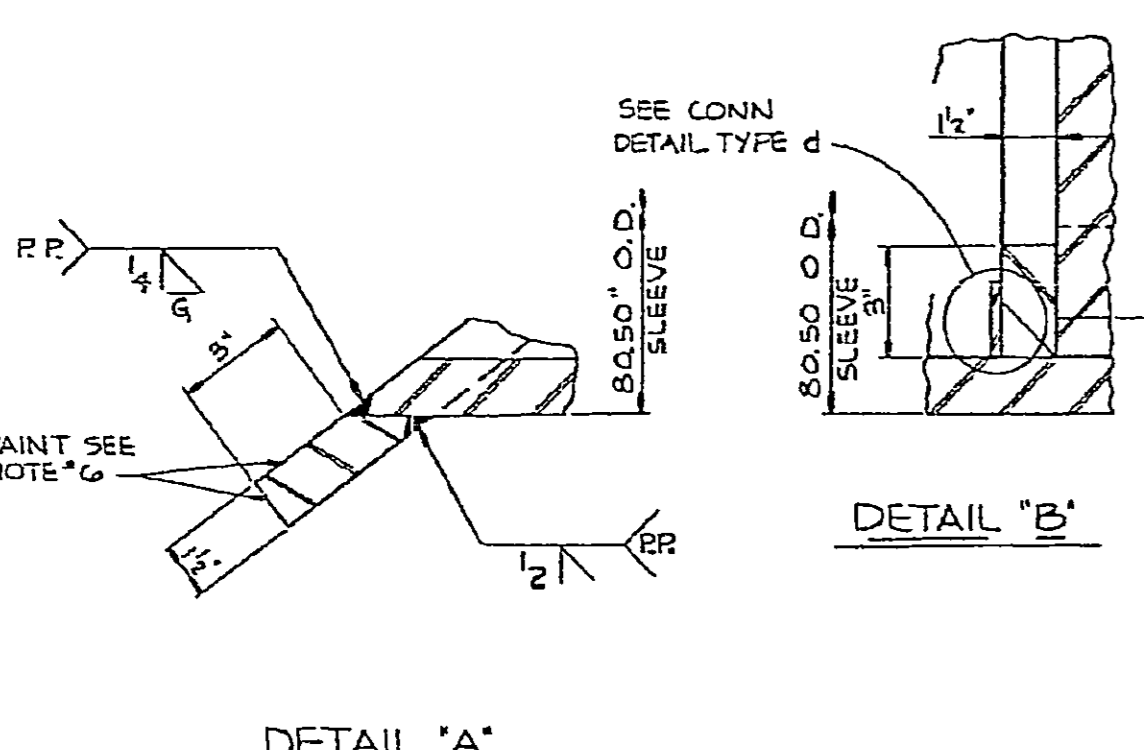
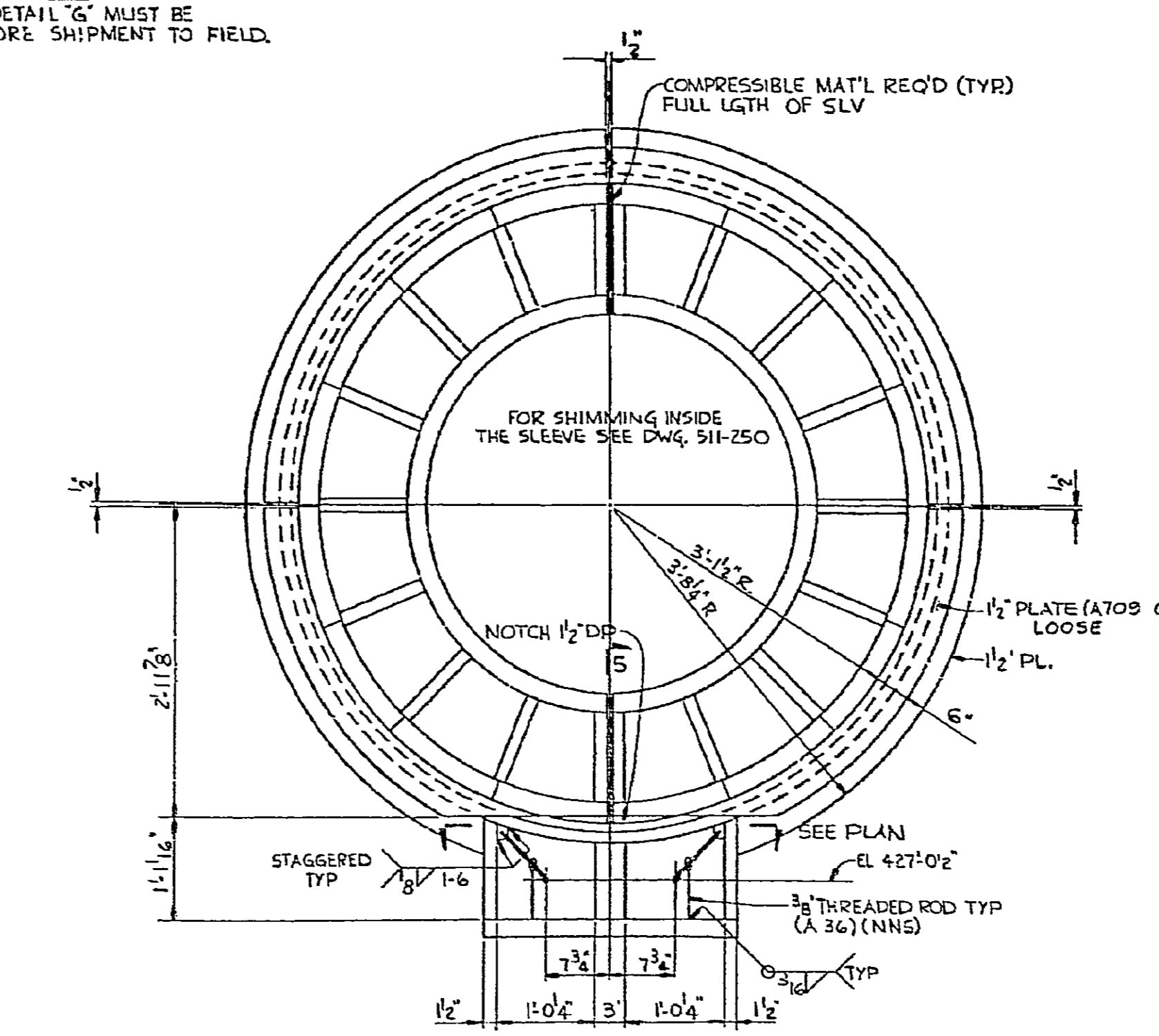


FABRICATOR NOTE:
 ALL MAT'L ON DETAIL 'G' MUST BE INSTALLED BEFORE SHIPMENT TO FIELD.



RELEASED FOR DETAILING & FABRICATION 7/3/75
 M. Samuels

SP225
 P. 6-6-75

THIS IS A NUCLEAR SAFETY RELATED DOCUMENT. NO DEVIATION SHALL BE INITIATED OR PERFORMED WITHOUT PRIOR DOCUMENTATION AND WRITTEN APPROVAL.

FSAR Figure 6.2-67
 SOUTH CAROLINA ELECTRIC & GAS COMPANY
 VIOGA, C. S. GORNER NUCLEAR STATION
 REACTOR BUILDING
 PIPE SLEEVES
 SECTIONS AND DETAILS
 DESIGN ENGINEERING

NO.	DATE	BY	REVISION
15	5/20/81	DDJ	REVISED PER ECR-78028
16	10/11/81	DDJ	REVISED PER ECR-78028

