

<b>CALLAWAY PLANT</b>
FIGURE 18.2-1 REACTOR HEAD VENT SYSTEM
REV. 15 5/15

FSAR Figure 18.2-2 is withheld per RIS 2015-17

REV OL-8  
11/95

FSAR Figure 18.2-2 is withheld per RIS 2015-17

CALLAWAY PLANT
FIGURE 18.2-2 POST-ACCIDENT RADIATION ZONES ELEVATION 1974'

**FSAR Figure 18.2-3 is withheld per RIS 2015-17**

Rev. OL-0  
6/86

**FSAR Figure 18.2-3 is withheld per RIS 2015-17**

<b>CALLAWAY PLANT</b>
<b>FIGURE 18.2-3 POST-ACCIDENT RADIATION ZONES ELEVATION 1988'</b>

**FSAR Figure 18.2-4 is withheld per RIS 2015-17**

REV OL-11  
5/00

**FSAR Figure 18.2-4 is withheld per RIS 2015-17**

<b>CALLAWAY PLANT</b>
<b>FIGURE 18.2-4 POST-ACCIDENT RADIATION ZONES ELEVATION 2000'</b>

**FSAR Figure 18.2-5 is withheld per RIS 2015-17**

Rev. OL0  
6/86

**FSAR Figure 18.2-5 is withheld per RIS 2015-17**

<b>CALLAWAY PLANT</b>
<b>FIGURE 18.2-5 POST-ACCIDENT RADIATION ZONES ELEVATION 2026'</b>

**FSAR Figure 18.2-6 is withheld per RIS 2015-17**

REV. OL-10  
11/98

**FSAR Figure 18.2-6 is withheld per RIS 2015-17**

<b>CALLAWAY PLANT</b>
<b>FIGURE 18.2-6 POST-ACCIDENT RADIATION ZONES ELEVATION 2047'-6"</b>

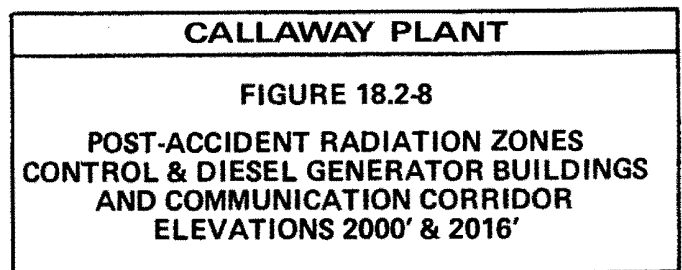
REV OL-12  
11/01

CALLAWAY PLANT

**FIGURE 18.2-7**  
POST-ACCIDENT RADIATION ZONES  
CONTROL BLDG. &  
COMMUNICATION CORRIDOR  
ELEVATIONS 1974' & 1984'

**FSAR Figure 18.2-8 is withheld per RIS 2015-17**

Rev. OL-0  
6/86



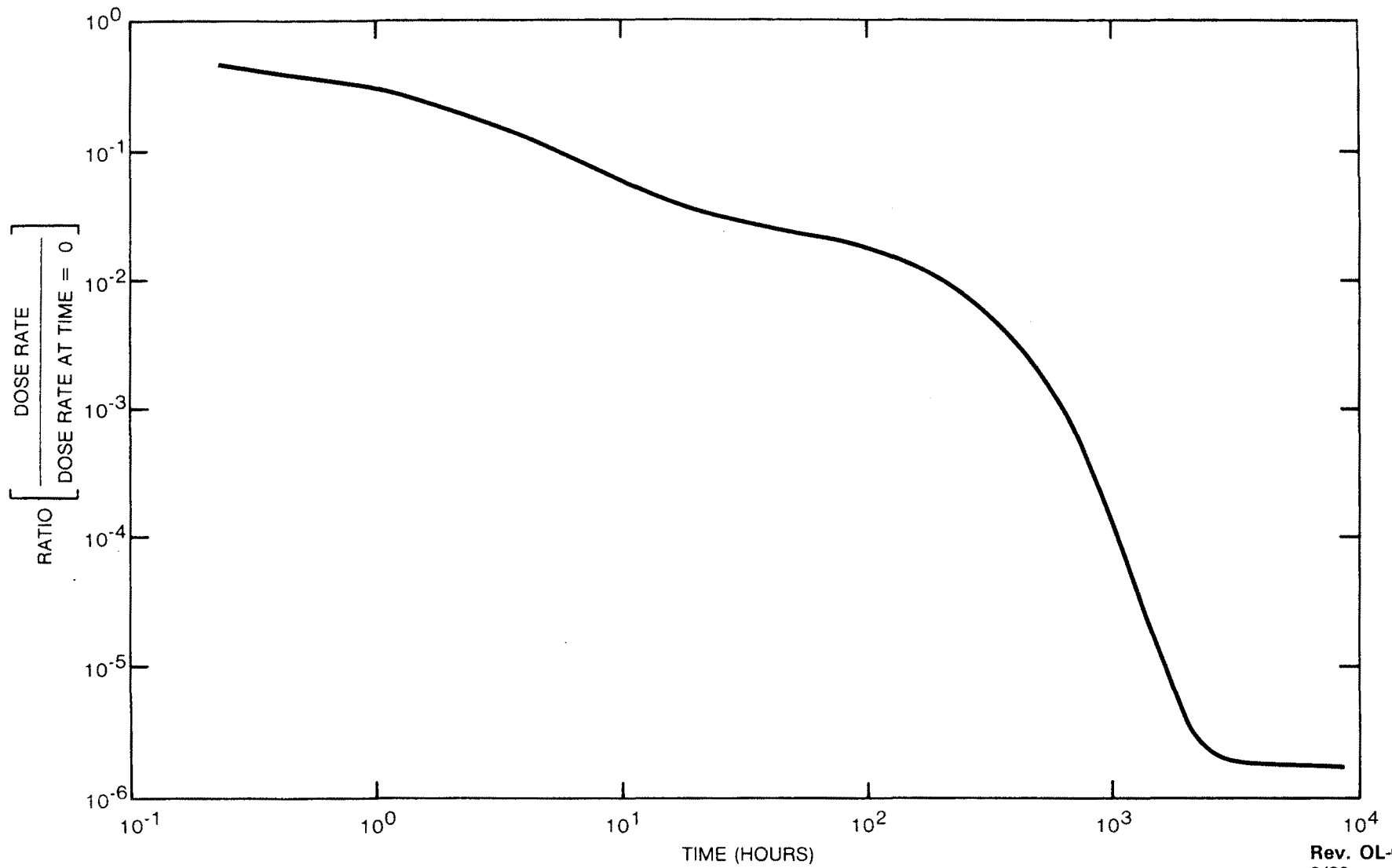
**FSAR Figure 18.2-8 is withheld per RIS 2015-17**



**CALLAWAY PLANT**

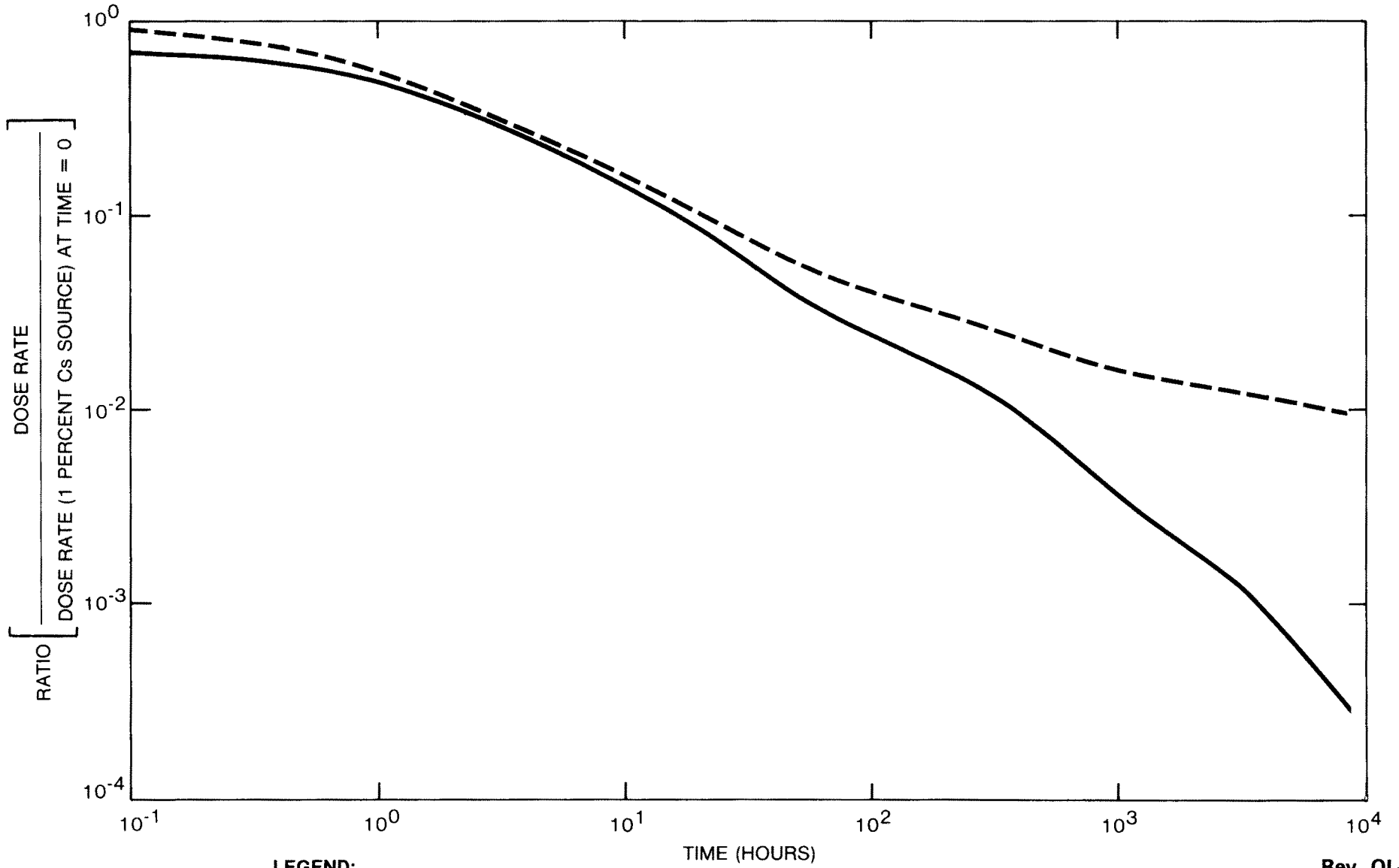
**FIGURE 18.2-9**  
**POST-ACCIDENT RADIATION ZONES**  
**CONTROL & DIESEL GENERATOR BUILDINGS**  
**AND COMMUNICATION CORRIDOR**  
**ELEVATIONS 2032' & 2047'-6"**

REV OL-11  
5/00



Rev. OL-0  
6/86

<b>CALLAWAY PLANT</b>
<p><b>FIGURE 18.2-10</b></p> <p><b>NORMALIZED DOSE RATE DECAY CURVE</b> <b>FOR AIRBORNE SOURCE (SOURCE A)</b></p>

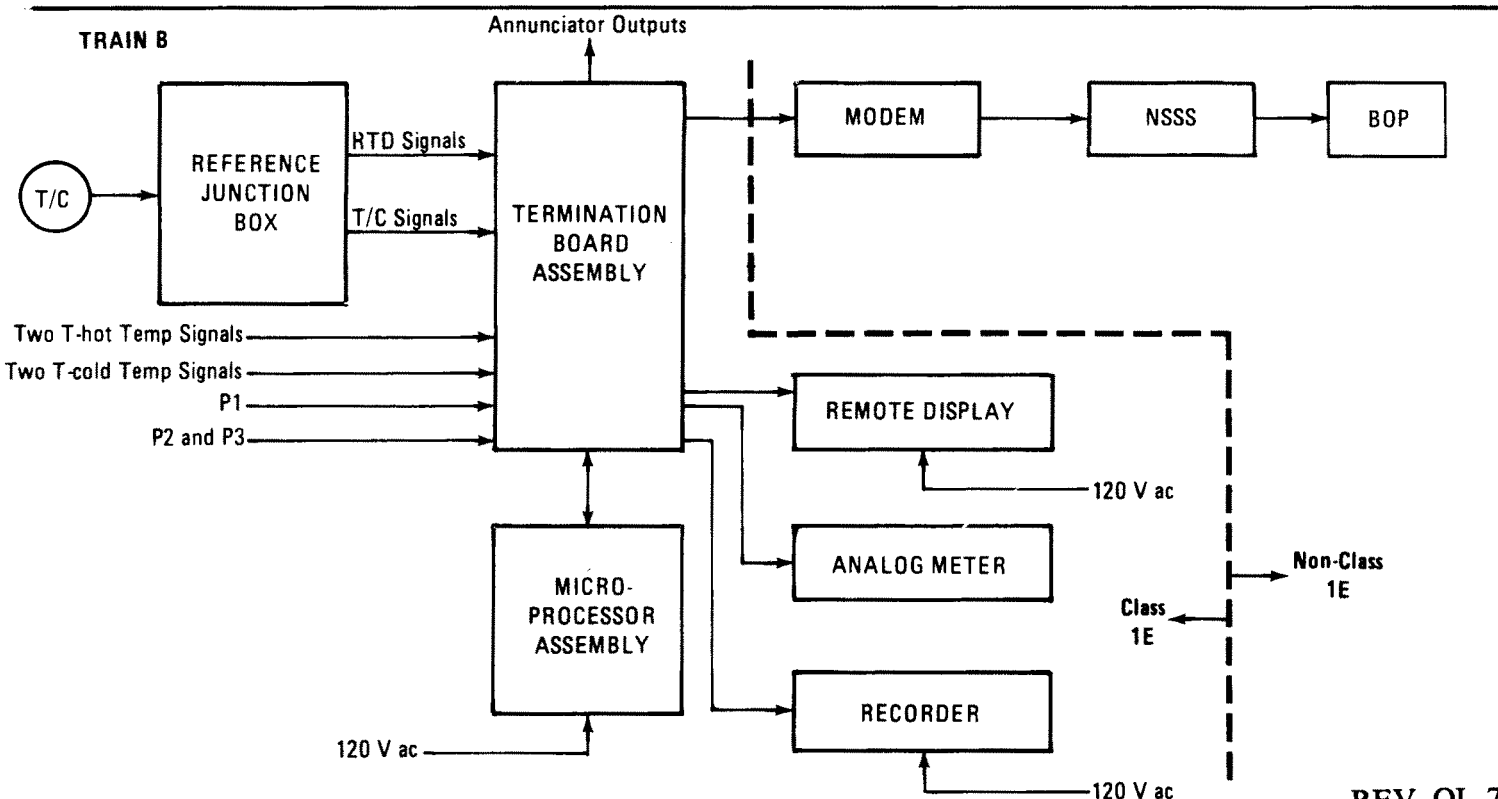
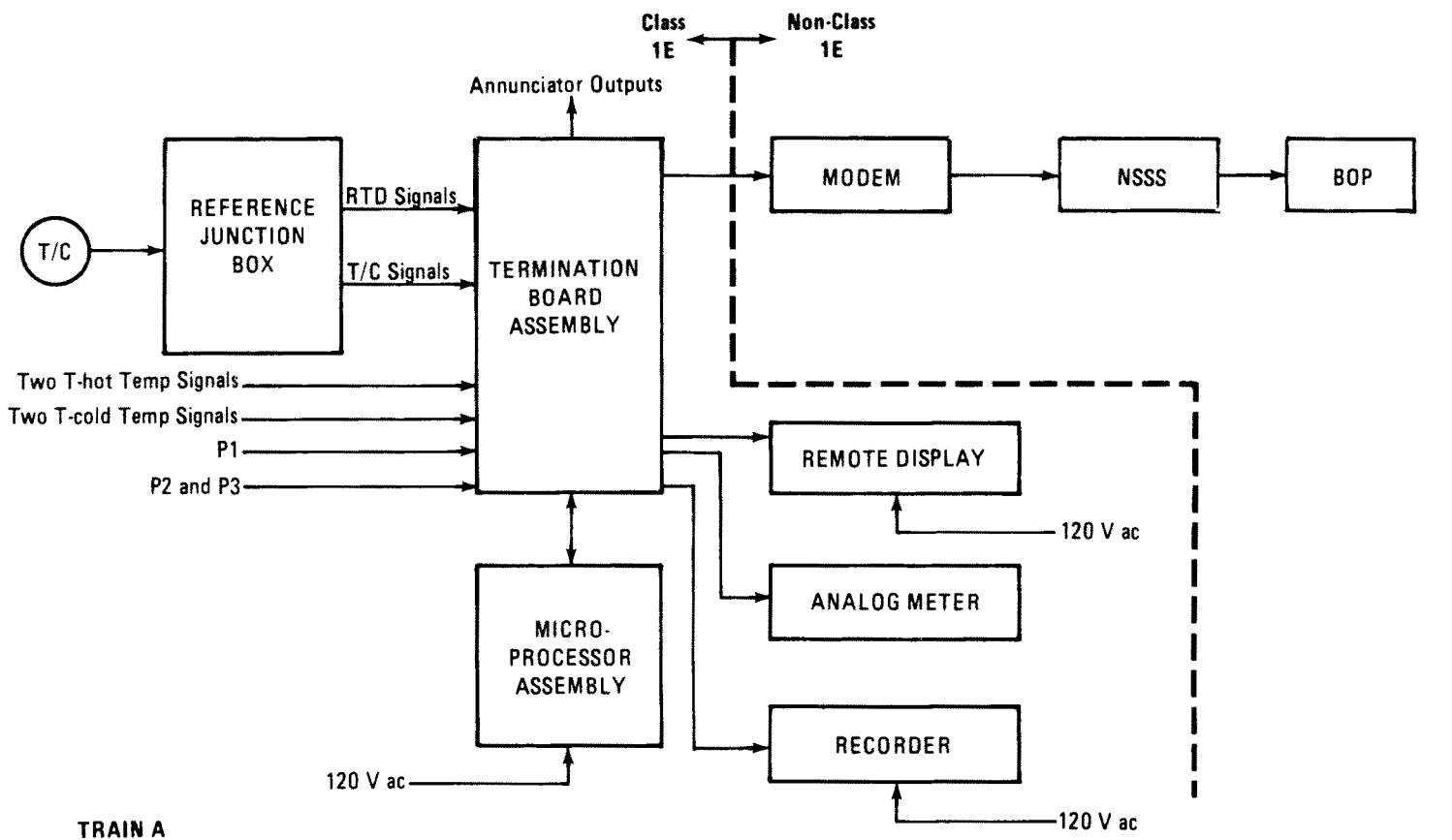


**LEGEND:**  
 — 1 PERCENT Cs SOURCE  
 - - - 50 PERCENT Cs SOURCE

Rev. OL-0  
6/86

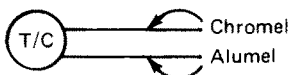
**CALLAWAY PLANT**

**FIGURE 18.2-11**  
**NORMALIZED DOSE RATE DECAY CURVES**  
**FOR SUMP SOURCE (SOURCE C) WITH**  
**1 PERCENT Cs AND 50 PERCENT Cs**



Notes:

1. P1 is a wide range loop pressure.
2. P2 and P3 are narrow range pressurizer pressures.
3. Material type for T/C is shown below. Type K extension wire is mineral insulated chromel/alumel wire.

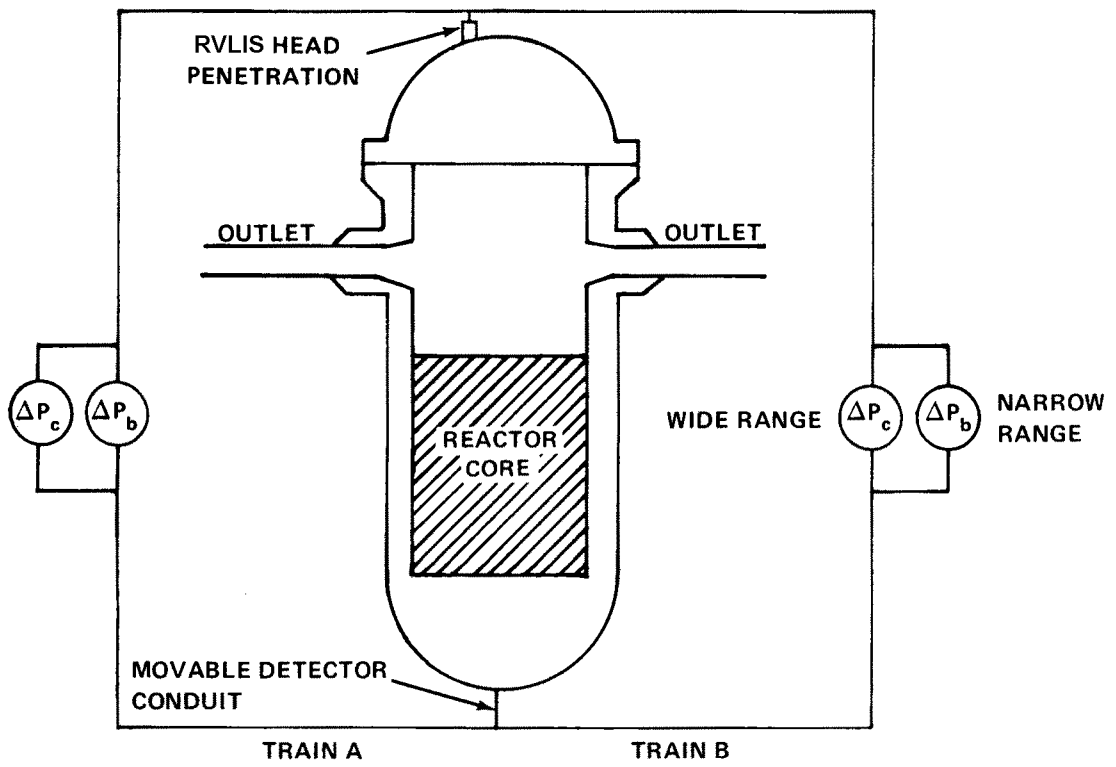


REV. OL-7  
5/94

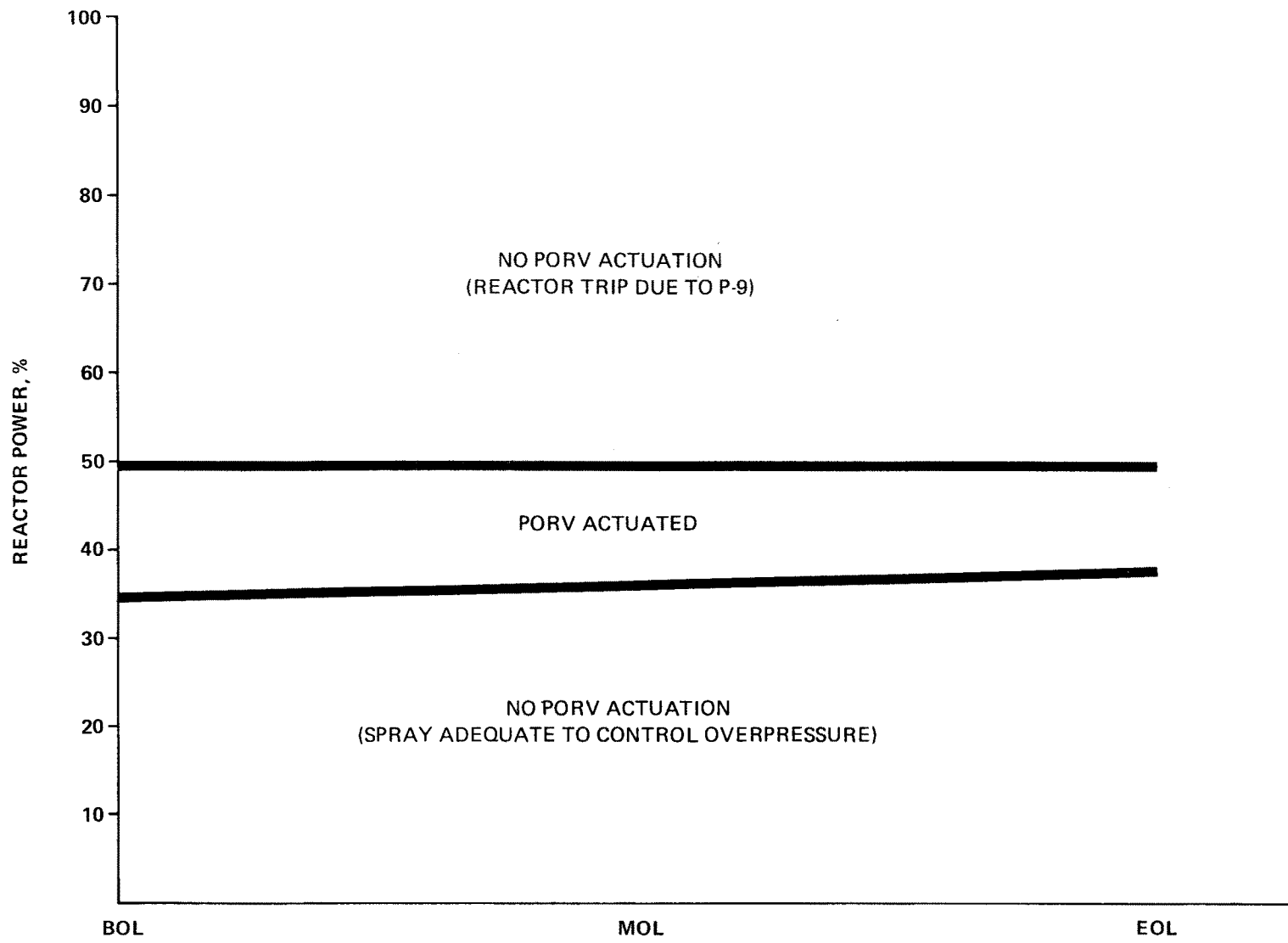
**CALLAWAY PLANT**

**FIGURE 18.2-12**

**FUNCTIONAL DIAGRAM**  
**(REACTOR CORE SUBCOOLING MONITOR)**



<b>CALLAWAY PLANT</b>
<b>FIGURE 18.2-13</b>
<b>REACTOR VESSEL LEVEL INSTRUMENTATION SYSTEM</b>
<b>REV. 1 5/15</b>

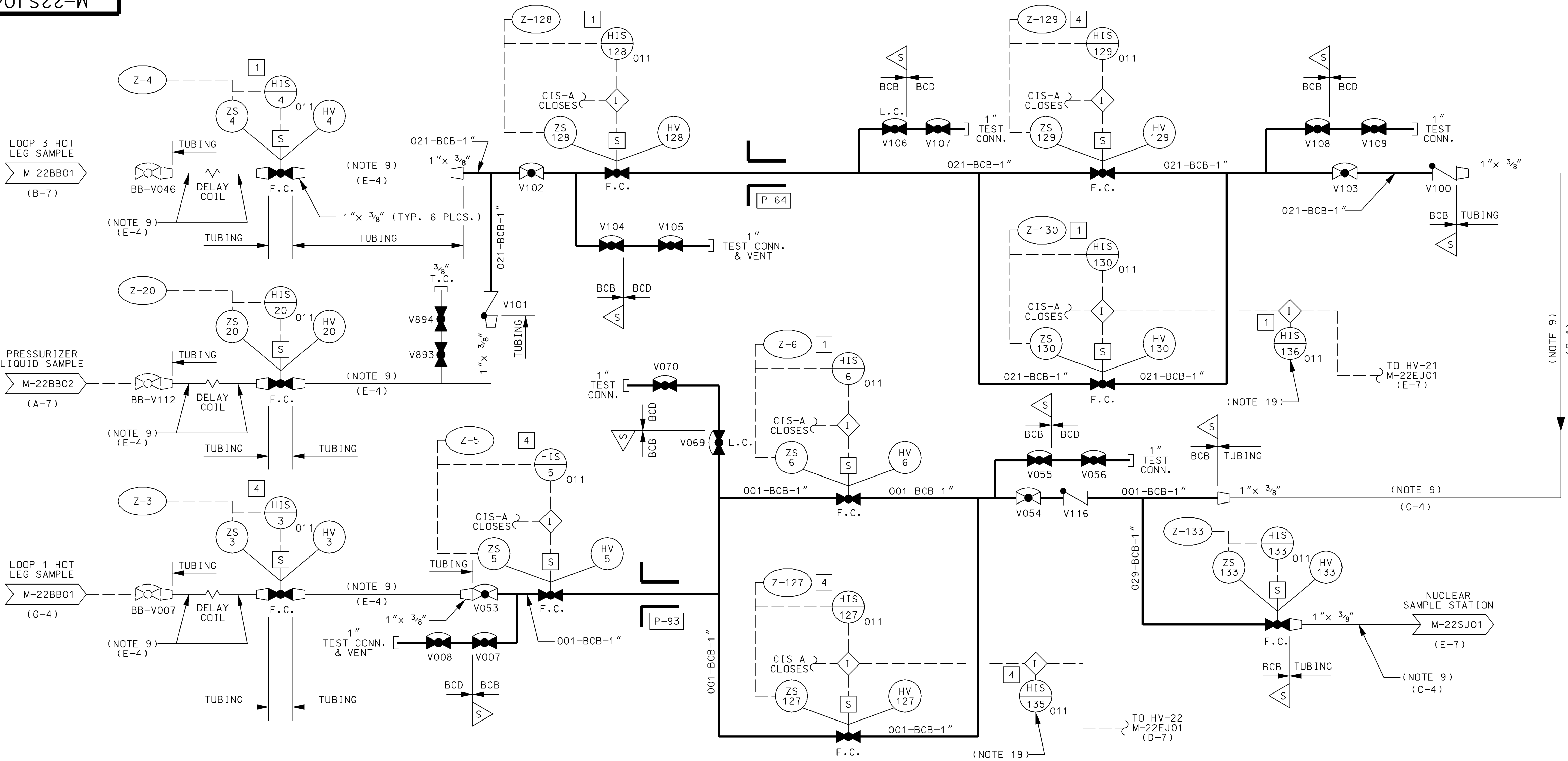


Rev. OL-0  
6/86

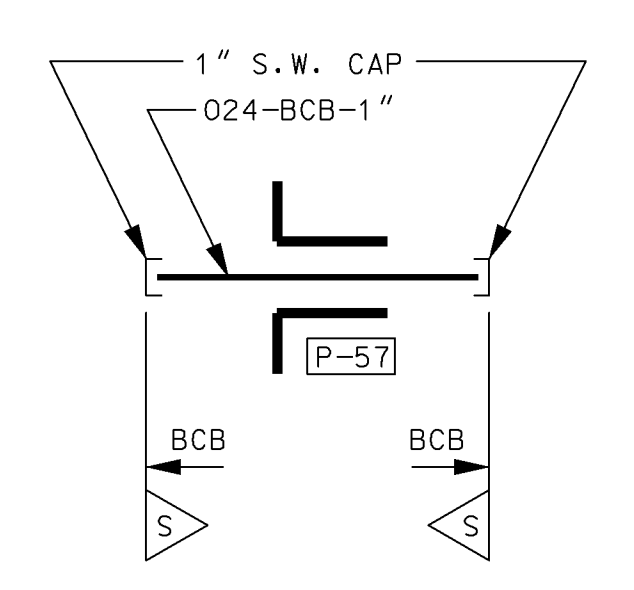
**CALLAWAY PLANT**

**FIGURE 18.2-14**

**PORV OPENING BAND - TURBINE TRIP  
WITH CONDENSER UNAVAILABLE**



**NOTES:**  
 1. SEE DRAWING M-22SJO1 FOR NOTES.



REV.	DATE	DRAWN	BY	CHKD.	SUPV.	APPD.	RLW	TWS	INCORP.	REF.
1	02/20/01	SBR								
REDRAWN FOR CLARITY										
2	03/09/01	DLB								
INCORPORATE MP 01-1002A (PARTIAL)										
3	03/09/01	DLB								
INCORPORATE MP 01-1002A (PARTIAL)										
4	03/09/01	DLB								
INCORPORATE MP 01-1002A (PARTIAL)										
5	03/09/01	DLB								
INCORPORATE MP 01-1002A (PARTIAL)										
6	03/09/01	DLB								
INCORPORATE MP 01-1002A (PARTIAL)										
7	03/09/01	DLB								
INCORPORATE MP 01-1002A (PARTIAL)										
8	03/09/01	DLB								
INCORPORATE MP 01-1002A (PARTIAL)										
9	03/09/01	DLB								
INCORPORATE MP 01-1002A (PARTIAL)										
10	03/09/01	DLB								
INCORPORATE MP 01-1002A (PARTIAL)										
11	03/09/01	DLB								
INCORPORATE MP 01-1002A (PARTIAL)										
12	03/09/01	DLB								
INCORPORATE MP 01-1002A (PARTIAL)										
13	03/09/01	DLB								
INCORPORATE MP 01-1002A (PARTIAL)										
14	03/09/01	DLB								
INCORPORATE MP 01-1002A (PARTIAL)										

**AS-BUILT CLASS 1**

DRAWN	N/A	(DATE)	PIPING AND INSTRUMENTATION DIAGRAM
CHKD.	N/A	(DATE)	NUCLEAR SAMPLING SYSTEM
SUPV.	N/A	(DATE)	CSAR FIGURE 18.2-15
APPD.	N/A	(DATE)	LOCATION
			CALLAWAY PLANT
UNION ELECTRIC COMPANY			REV. 14
ST. LOUIS, MO			M-22SJO4(Q)