

LGS UFSAR

Figure 10.1-1
Deleted

LGS UFSAR

Figure 10.1-2
Deleted

LGS UFSAR

Figures 10.2-1 thru 10.2-3

Deleted

**Figure 10.2-4
Deleted**

**Figure 10.2-5
Deleted**

**Figure 10.2-6
Deleted**

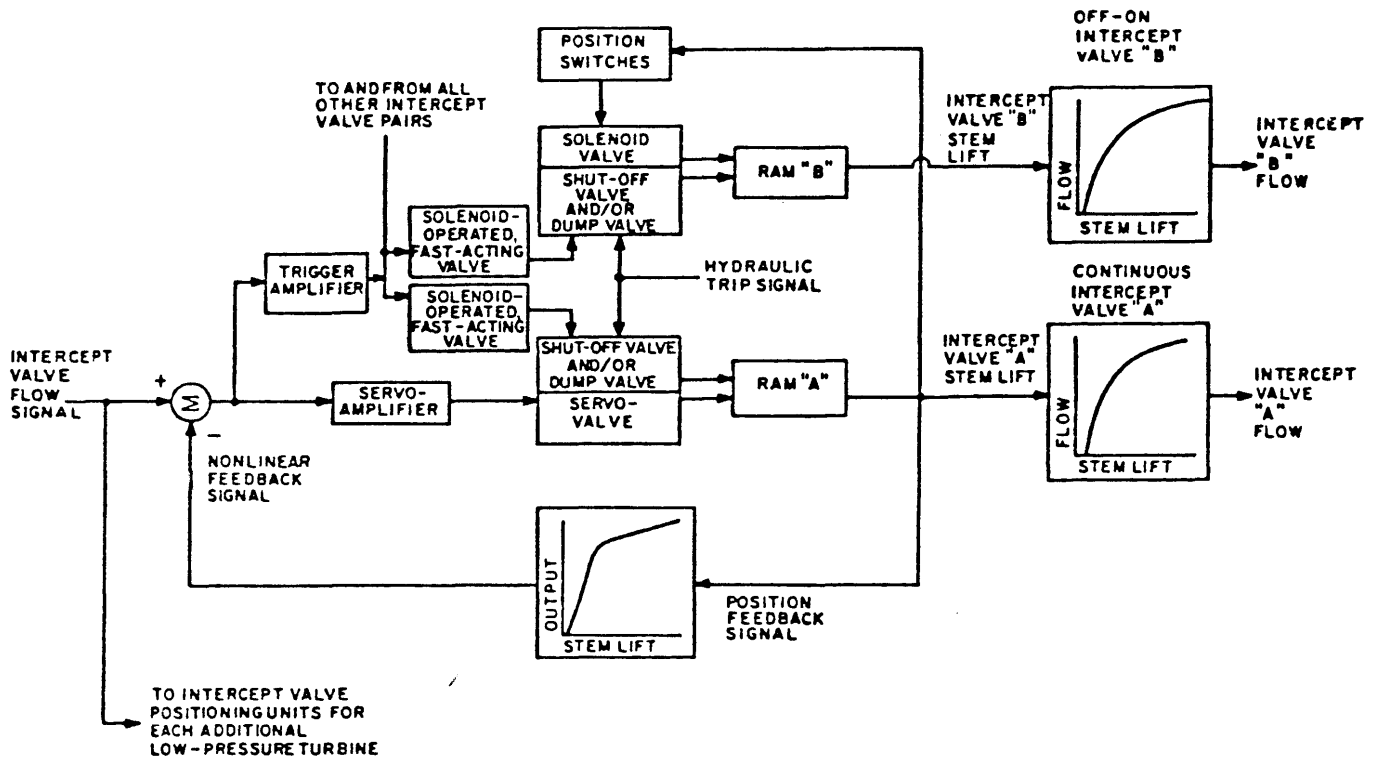
LGS UFSAR

Figure 10.2-7

Deleted

**Figure 10.2-8
Deleted**

**Figure 10.2-9
Deleted**



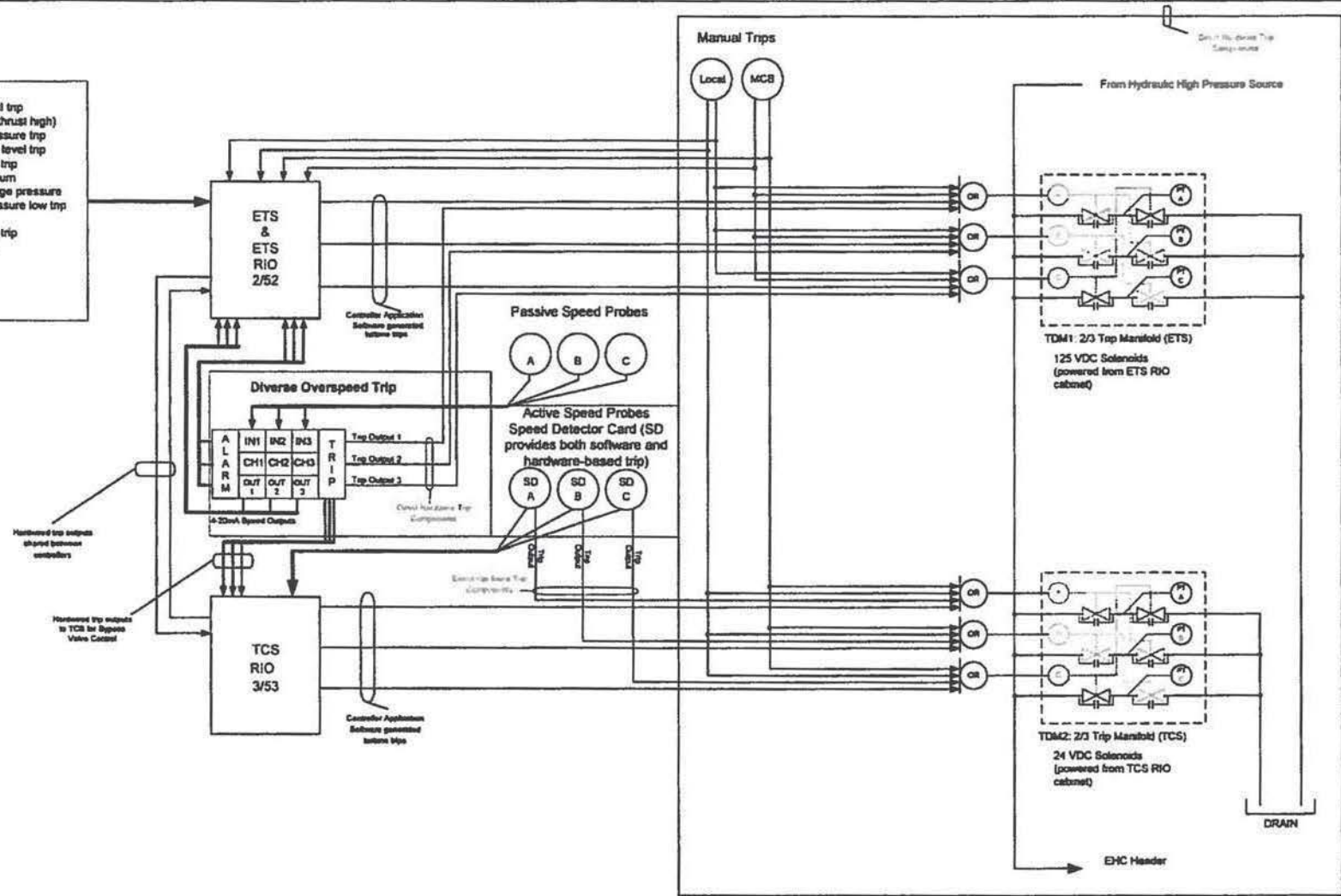
LIMERICK GENERATING STATION
 UNITS 1 AND 2
 UPDATED FINAL SAFETY ANALYSIS REPORT

INTERCEPT VALVE POSITIONING

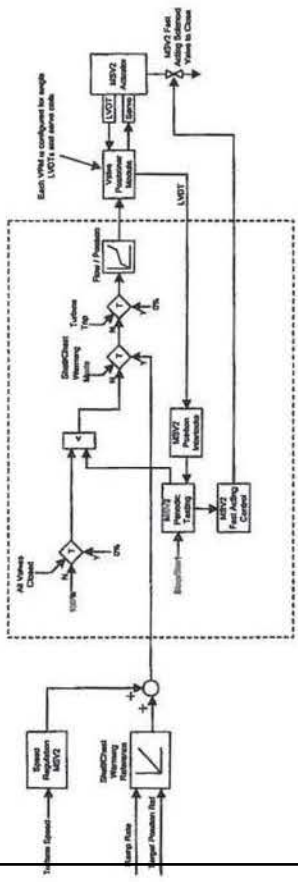
FIGURE 10.2-10

ETS Inputs:

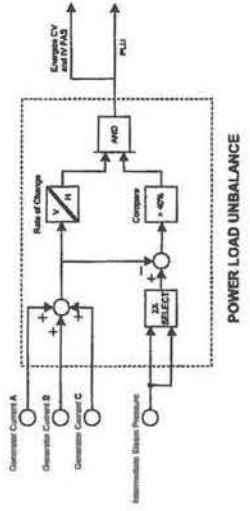
1. High Reactor water level trip
2. TSI TBWD trip (turbine thrust high)
3. Low EHC Hydraulic pressure trip
4. Moisture separator high level trip
5. Loss of all speed signal trip
6. Loss of condenser vacuum
7. Low shaft pump discharge pressure
8. Main TB bearing oil pressure low trip
9. Generator lockout trip
10. Loss of Stator Cooling trip
11. ETS low pressure trip
12. Manual Trip



LIMERICK GENERATING STATION
UNITS 1 AND 2
UPDATED FINAL SAFETY ANALYSIS REPORT
EMERGENCY TRIP SYSTEM BLOCK DIAGRAM
FIGURE 10.2-11 REV. 18 09/06



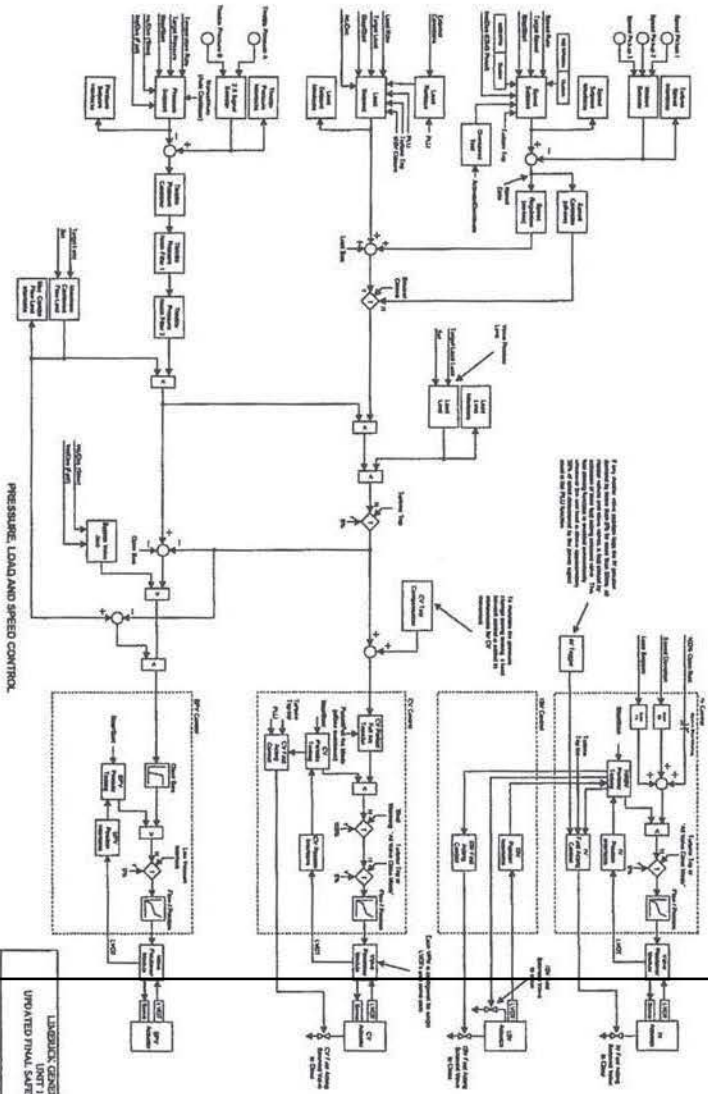
MSV2 CONTROL



POWER LOAD UNBALANCE

LIMBERCK GENERATING STATION
 UNIT 1 AND 2
 UPDATED FINAL SAFETY ANALYSIS REPORT
 BLOCK DIAGRAM
 FOR
 POWER LOAD UNBALANCE SYSTEM AND MSV2 CONTROL
 FIGURE 19.11c

LUBRICATING SYSTEM
 UPDATED FINAL SAFETY ANALYSIS REPORT
 FOR
 BLOSS BARRAM
 PRESSURE, LOAD AND SPEED CONTROL SYSTEM
 FIGURE 10.2.13



PRESSURE, LOAD AND SPEED CONTROL.

LGS UFSAR

Figure 10.3-1

Deleted

LGS UFSAR

Figures 10.4-1 thru 10.4-8

Deleted