

A
B
C
D
E
F
G
H
J

A
B
C
D
E
F
G
H
J

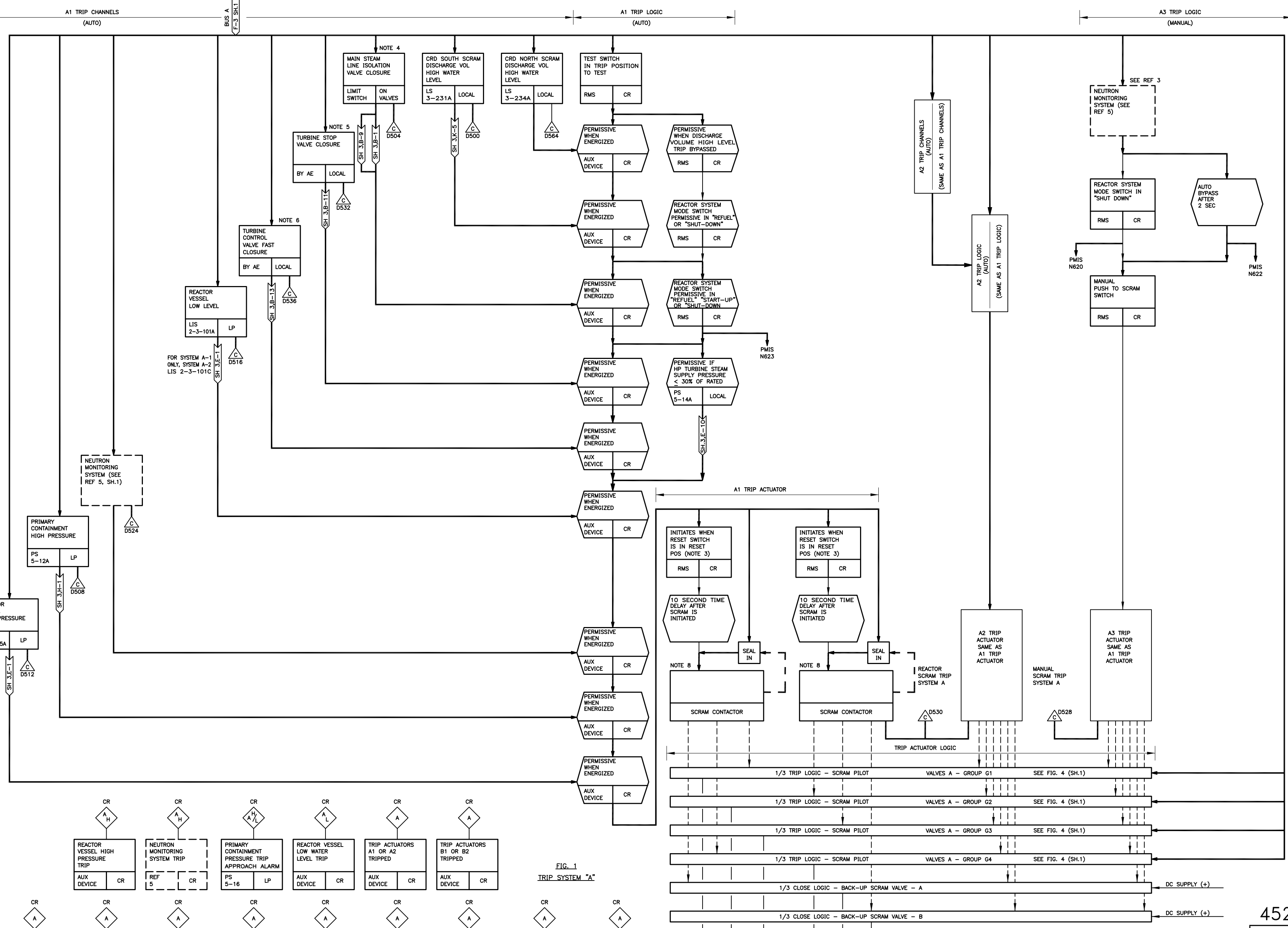


FIG. 1 TRIP SYSTEM "A"

SCRAM VALVE PILOT HEADER HI/LO PRESS	AUX DEVICE	CR
CRD ACCUM. LOW PRESS HIGH LEVEL	AUX DEVICE	CR
SOUTH SCRAM DISCH INSTRUM VOLUME NOT DRAINED	AUX DEVICE	CR
NORTH SCRAM DISCH INSTRUM VOLUME NOT DRAINED	AUX DEVICE	CR
DISCHARGE VOLUME HIGH WATER LEVEL TRIP	AUX DEVICE	CR
REACTOR VESSEL HIGH PRESSURE TRIP	AUX DEVICE	CR
NEUTRON MONITORING SYSTEM TRIP	REF 5	CR
PRIMARY CONTAINMENT PRESSURE TRIP APPROACH ALARM	PS 5-16	LP
REACTOR VESSEL LOW WATER LEVEL TRIP	AUX DEVICE	CR
TRIP ACTUATORS A1 OR A2 TRIPPED	AUX DEVICE	CR
TRIP ACTUATORS B1 OR B2 TRIPPED	AUX DEVICE	CR
PRIMARY CONTAINMENT HIGH PRESSURE TRIP	AUX DEVICE	CR
TURBINE STOP VALVE CLOSURE TRIP	AUX DEVICE	CR
TURBINE CONTROL VALVE FAST CLOSURE TRIP	AUX DEVICE	CR
MAIN STEAM LINE ISOLATION VALVE CLOSURE TRIP	AUX DEVICE	CR
TURBINE STOP VALVE & CONTROL VALVE CLOSURE TRIP BYPASSED	AUX DEVICE	CR
MAIN STEAM LINE ISOLATION VALVE CLOSURE TRIP	AUX DEVICE	CR
DISCHARGE VOLUME HIGH LEVEL TRIP BYPASSED	AUX DEVICE	CR
REACTOR SYSTEM MODE SWITCH "SHUT-DOWN" TRIP BYPASSED	AUX DEVICE	CR
MANUAL TRIP ACTUATOR A3 TRIPPED	AUX DEVICE	CR
MANUAL TRIP ACTUATOR A1 TRIPPED	AUX DEVICE	CR

INFORMATION ONLY

FOR PREVIOUS REVISIONS, SEE SUPERSEDED CARDS.

VERSIONS/REVISIONS BY N.P.P.D.			
NO.	DESCRIPTION	DFT	DATE
AB/04	DR-2015-0268	DJB	10/19/16

452005047

STATUS: Release FIO
 STATUS DATE: 05/03/2017
 DS APPROVED: RSCULLI
 VER: AB REV: 04 SIZE: C

* THIS DRAWING GENERATED BY NPPD

SIGNIFICANT NUMBER	1	2	3	4	5	6
GROUP						

COOPER NUCLEAR STATION
 REACTOR PROTECTION SYSTEM
 FUNCTIONAL CONTROL DIAGRAM

DRAWN TRU 8/24/93
 CHECKED DATE
 APPROVED DATE 11-9-93
 SJT
 FILMED

GENERAL ELECTRIC*

729E222BB SH 2

CAD FILE: C001108B