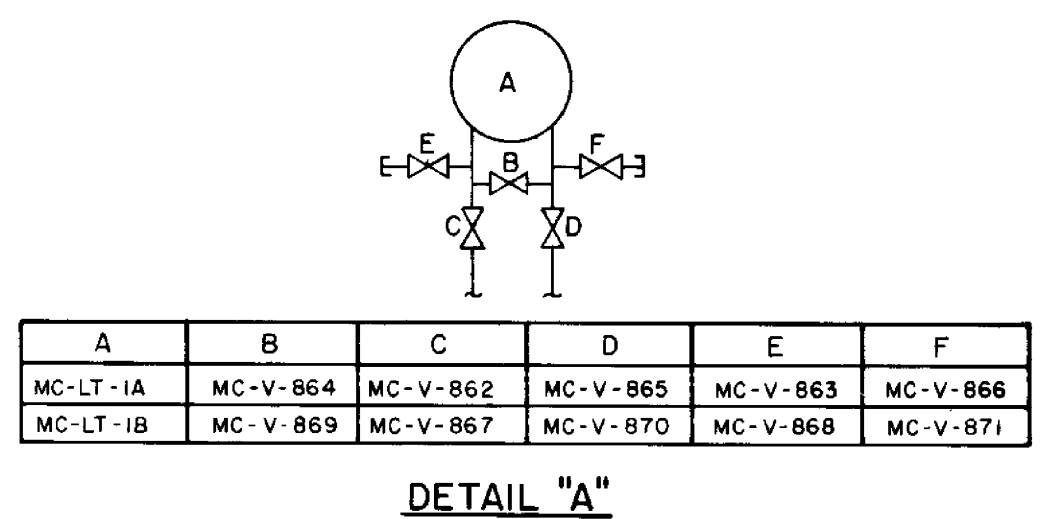


- NOTES:**
1. BYPASS VALVES SHALL BE PROVIDED FOR GLOBE & GATE VALVES AS FOLLOWS: FOR 8" & LARGER SIZES IN 300LB CLASS & HIGHER; FOR 12" & LARGER SIZES IN 150 LB CLASS.
 2. UNLESS OTHERWISE INDICATED ALL PRESSURE AND/OR FLOW INSTRUMENT ROOT LINES SHALL BE 3/4" V253X, ROOT VALVES SHALL BE 3/4" V253X, EXCEPT THAT FOR RF SYSTEM ROOT VALVES SHALL BE 3/4" V263X, LINE UP TO AND INCLUDING ROOT VALVES SHALL BE FURNISHED AND INSTALLED UNDER CONTRACT E-69-4.
 3. ALL TEMPERATURE TEST AND PROTECTING WELL PENETRATIONS SHALL BE 1/2" DIA. UNLESS OTHERWISE NOTED.
 4. FOR DETAILS ON CONDENSER CONNS. REFER TO CORRESPONDING DESIGNATIONS M S & DD CO DWG DC 93877 GA SH3.
 5. ALL VENT & DRAIN PIPING DOWNSTREAM OF THE LAST ROOT VALVE FROM THE MAIN PIPING SYSTEM OR EQUIPMENT, SHALL CONFORM TO "V-1" & "DR-5" RESPECTIVELY. STRONG BACK & OTHER INSTRUMENT PIPING ON THE CONDENSER & CONDENSATE TANK SHALL CONFORM TO "CH-4" PIPING.
 6. AT SAMPLING POINTS, CONNECTIONS, PROBES AND ROOT VALVES SHALL BE FURNISHED & INSTALLED UNDER CONTRACT E-69-4. PROBES SHALL BE FURNISHED AND INSTALLED IN ACCORDANCE WITH CONTRACT PARA 3.4.2 & DWG SP-07211 FIG. NO. AS NOTED. CONTINUATION OF SAMPLING PIPING BY E-70-3.
 7. ALL VENT AND DRAIN VALVE NUMBERS ARE CONDENSATE VALVE NUMBERS.
 8. ALL VALVE NUMBERS IN PARENTHESIS () ARE NUMBERS TO BE USED IN OPERATING PROCEDURES. THESE NUMBERS ARE ASSIGNED BY NP&D AND WILL NOT BE SHOWN ON PIPING DWGS.
 9. Δ'S WHERE SHOWN WITH NUMBERS REPRESENT POINTS OF CONNECTION TO EXISTING SYSTEMS. E-79-98 SPECIFICATION DEFINES WORK FROM THIS POINT.

STEAM JET AIR EJECTOR
(SEE NOTE 4)



REVISIONS TO THIS DRAWING
REQUIRES A REVISION TO THE
CORRESPONDING ISOKEY.

NOTE:
ALL ITEMS MARKED THUS [A] ARE "AS BUILT" ITEMS
AND ARE NOT SHOWN ON PIPING DRAWINGS.

CONDENSATE PUMPS

SPOOL PIECE FOR FLUSHING &
SYSTEM FILL OR FOR BREAKDOWN
ORIFICE FOR TESTING. DURING
NORMAL OPERATION REMOVE SPOOL
& BLIND FLANGE ENDS.

AS BUILT
454003582
STATUS: Release
STATUS DATE: 11/01/2016
DS APPROVED: T2STEVE
VER: AB REV: 36 SIZE: F

FOR PREVIOUS REVISIONS, SEE SUPERSEDED CARDS.						NO.	DESCRIPTION	DFT	DATE	ENG
AB/38	DR-2016-0575								11/7/16	T2STEVE

GROUP	NO.	DATE	DATE
1	1	2/10/99	
2	2		
3	3		
4	4		
5	5		
6	6		

NO.	DATE	DATE	DATE
1	2/10/99		
2			
3			
4			
5			
6			

FLOW DIAGRAM
CONDENSATE & FEED WATER
SYSTEMS
COOPER NUCLEAR STATION

BURNS & ROE
2004 SH 1