

Enclosure 3b

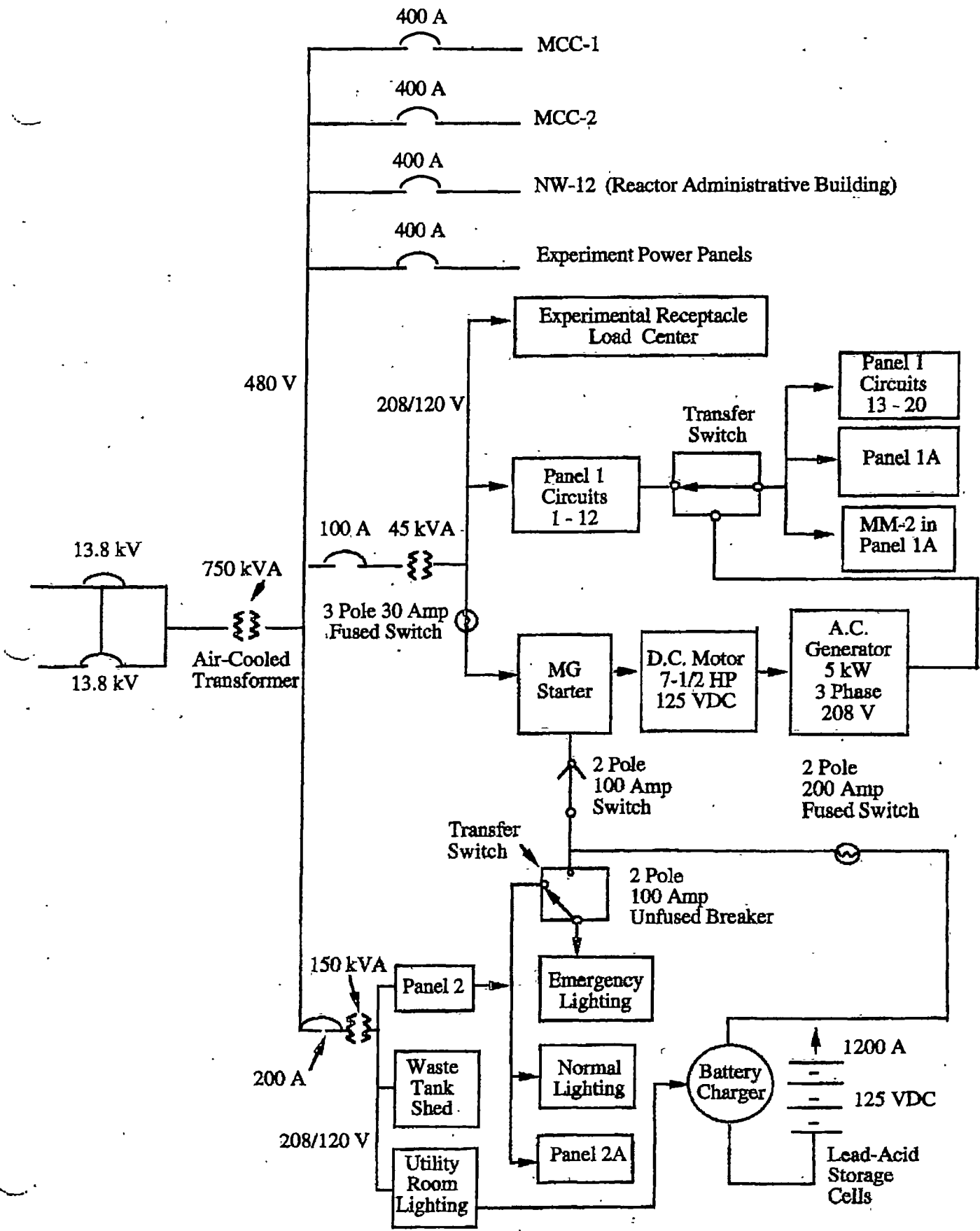


Figure 8-1