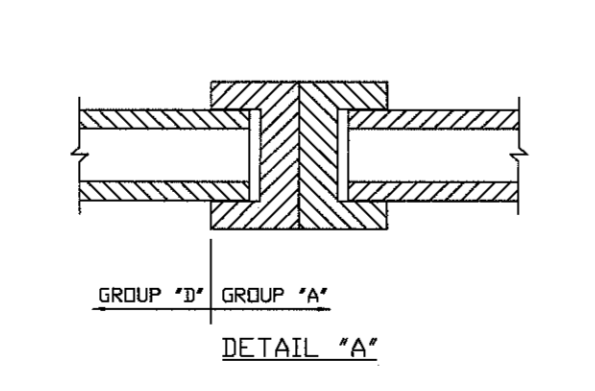


- NOTES:
- FOR LOGIC DEVELOPMENT SEE DWG. I-2310-16
 - ALL EV VALVES TO BE DC POWERED AT 130VDC.
 - DELETED
 - SYSTEM IS QA LEVEL I EXCEPT AS NOTED.
 - UNLESS OTHERWISE NOTED ALL INSTRUMENT NO'S ON THIS DIAG. ARE FOR B21.
 - VALVES SHOWN WITH AN ARROW ARE TO BE INSTALLED WITH THE FLOW ARROW MARKED ON THE VALVE BODY IN THE DIRECTION SHOWN.
 - THE FOLLOWING SINGLE INSTRUMENTS ARE MULTI-PT INPUT/OUTPUT DEVICES. EACH INPUT/OUTPUT FUNCTION IS SHOWN SEPARATELY. EX-(I/E-K815) IS A DUAL CURRENT TO VOLTAGE CONVERTOR WITH INPUTS/OUTPUTS DESIGNATED WITH SUBSCRIPTS 1 & 2.
 - I/E-K815
 - I/E-K816
 - I/E-K827
 - I/E-K828
 - E/I-K845
 - E/I-K846
 - E/I-K847
 - E/I-K848
 - E/I-K849
 - MS-K824
 - MS-K825
 - MS-K826
 - MS-K827
 - MS-K828
 - MS-K829
 - MS-K830
 - DELETED
 - SYSTEM DESIGN SPECIFICATION 3071-530
 - FUNCTIONAL OPERATIONAL SKETCH M-5701-1
 - DESIGNATES ISOMETRIC DRAWING NUMBER (PREFIX M-) OR VALVE POSITION EITHER LOCKED OPEN/LOCKED CLOSED AS INDICATED BY LO OR LC.

- REFERENCE DRAWINGS
- M-2089 DIAGRAM NUCLEAR BOILER SYSTEM
 - I-2310-17 LOGIC DIAGRAM MAIN STEAM ISOLATION BLOCK VALVE (THIRD MSIV'S) N1100F607, N1100F608, N1100F609, N1100F610
 - I-2310-18 LOGIC DIAGRAM MAIN STEAM DRAIN VALVE. B2103F600



6M721-3045
LATEST REVISION
S

NUCLEAR SAFETY RELATED

THIS IS A MICROSTATION PRODUCED DRAWING. CHANGES OR REVISIONS MUST BE BROUGHT TO THE ATTENTION OF THE PLANT ENGINEERING DESIGN GROUP TO ENSURE THAT CONFIGURATION CONTROL IS MAINTAINED.

THIS DRAWING WAS REFORMATTED BY MICROSTATION AT REVISION "Q". ALL PREVIOUS APPROVAL SIGNATURES ARE ON FILE ON MICROFILM IN DOCUMENT CONTROL.		INC. CODE U	TITLE DIAGRAM MAIN STEAM ISOLATION VALVE LEAKAGE CONTROL SYSTEM
SDC'S INCORPORATED: EDP 80006.010, REV. 0	A PORTION OF THIS DRAWING IS AFFECTED BY THE FOLLOWING: TO CHANGE DOCUMENT	PREPARED BY DATE	DETROIT EDISON Fermi 2
OTHER REVISIONS: REF. LCR 17-001-WFS DE 5/1/17 REF. LCR 19-018-WFS, REV. 9	CHECKED BY DATE	APPROVED BY DATE	APERTURE CARD TITLE DIA MSIV LEAKAGE CONTROL SYS
PREPARED BY VJ ADLER DATE 2/19/19	CHECKED BY DATE 2/27/19	APPROVED BY DATE 3/14/19	PLANT IDENTIFICATION SYSTEM NUMBER B2106
APPROVED BY David Kalcoczi for T. Murphy III	DATE 3/14/19	DATE 3/14/19	ARMED RECIPIENT # B2106
DOCUMENT TYPE CODE DDMEC	NUC OPS FILE NO. 1801	DATE ISSUED TO IS 3/13/19	DRAWING NUMBER 6M721-3045