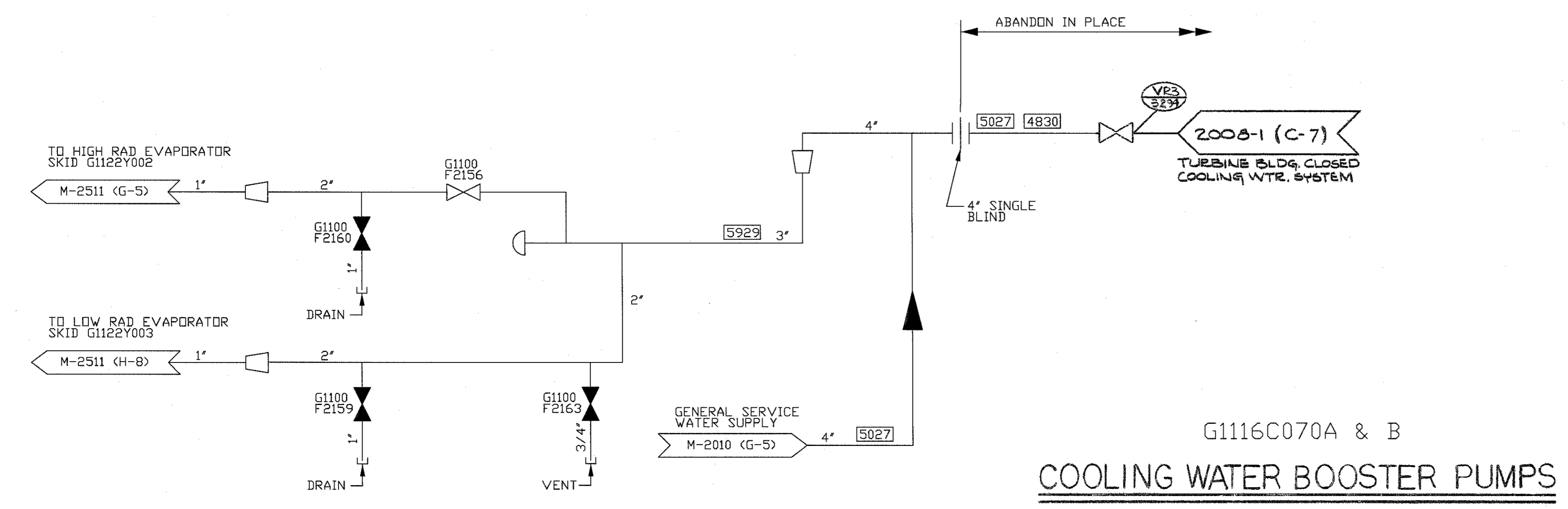
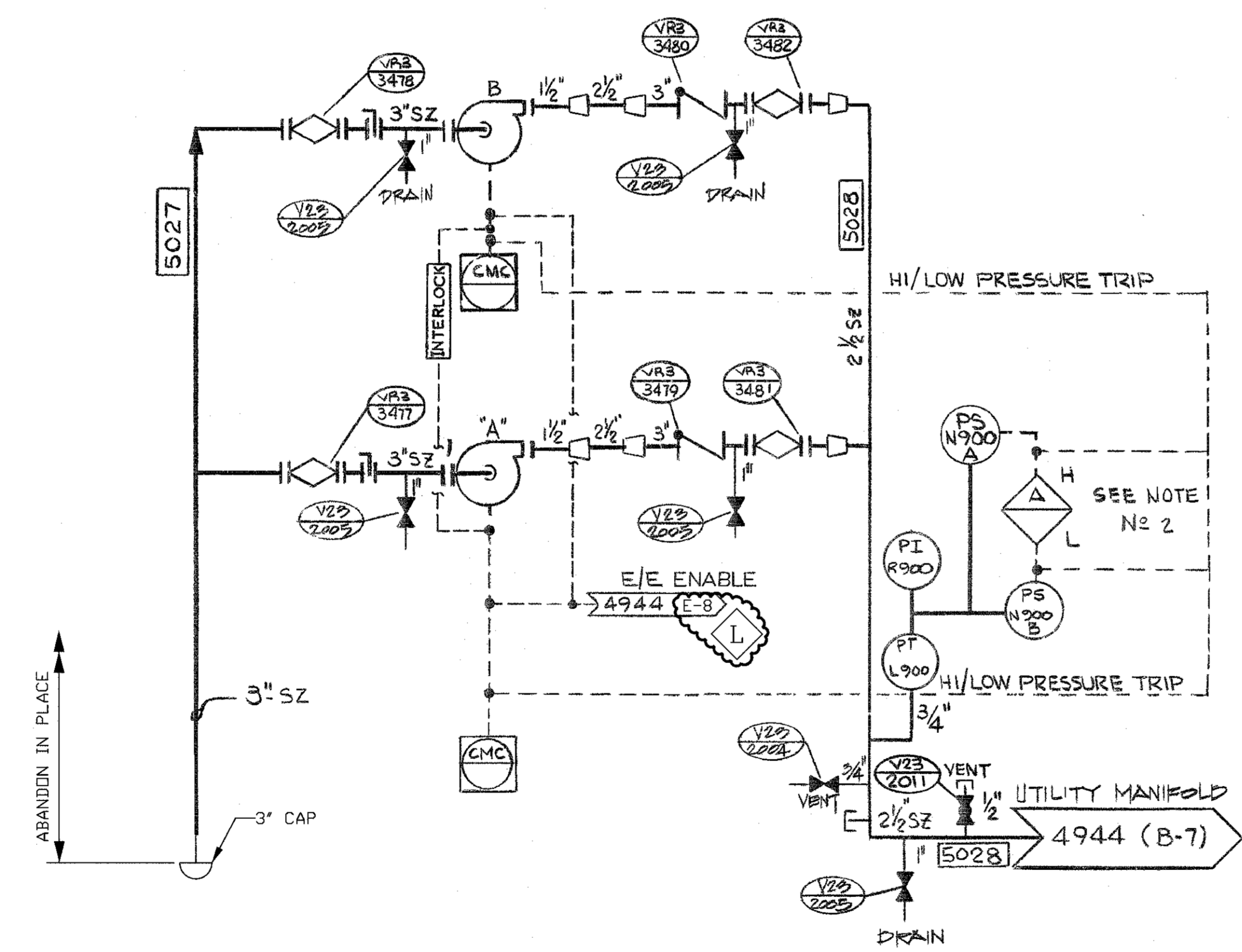


FILL STATION AUXILIARIES



**G1116C070A & B
COOLING WATER BOOSTER PUMPS**

FOR FUNCTIONAL OPERATING SKETCH SEE DWG. M-5710-15
FOR GENERAL NOTES SEE DWG. M-4941

6M721-4945
LATEST REVISION L

NON-NUCLEAR SAFETY RELATED
THIS IS A MICROSTATION PRODUCED DRAWING. CHANGES OR REVISIONS MUST BE BROUGHT TO THE ATTENTION OF THE PLANT ENGINEERING DESIGN GROUP TO ENSURE THAT CONFIGURATION CONTROL IS MAINTAINED.

THIS DRAWING WAS REFORMATTED BY MICROSTATION AT REVISION "K". ALL PREVIOUS APPROVAL SIGNATURES ARE ON FILE ON MICROFILM IN DOCUMENT CONTROL.		INC. CODE U	TITLE Detroit Edison Fermi 2 PIPING & INSTRUMENTATION DIAGRAM FILL STATION AUXILIARIES, COOLING WATER BOOSTER PUMPS
A PORTION OF THIS DRAWING IS AFFECTED BY THE FOLLOWING: TO CHANGE DOCUMENT	PREPARED BY DATE	CHECKED BY DATE	APPROVED BY DATE
OTHER REVISIONS: REF. L&L 16-049-045 OF 3/1/14 REF. L&R 19-012-045, REV. 1	TO CHANGE DOCUMENT	CHECKED BY DATE	APPROVED BY DATE
PREPARED BY WJ ADLER DATE 2/20/19	CHECKED BY DATE 2-27-19	APPROVED BY DATE 3/1/19	APPROVED BY DATE
APPROVED BY David Kakocak for T. Murphy III	DATE 3/1/19	DATE 3/1/19	DATE 3/1/19
A MICROSTATION PRODUCED DRAWING. CHANGES OR REVISIONS MUST BE BROUGHT TO THE ATTENTION OF THE PLANT ENGINEERING DESIGN GROUP TO ENSURE THAT CONFIGURATION CONTROL IS MAINTAINED.	DOCUMENT TYPE CODE DDDMC	NUC OPS FILE NO. 1801	DATE ISSUED TO IS 3/5/19
DRAWING NUMBER 6M721-4945	REVISION L	DATE 3/1/19	DATE 3/1/19